

BALDOR • RELIANCE

Customer information packet

VFSWDL3507

.75HP, 1740RPM, 1PH, 60HZ, 56C, 3532L, TEFC, F1

Class - None

Division - Not Applicable

Specifications

Enclosure	TEFC
Frame	56C
Frame Material	Stainless Steel
Frequency	60.00 Hz
Motor Letter Type	Cap Start, Induction Run
Output @ Frequency	.750 HP @ 60 HZ
Phase	1
Synchronous Speed @ Frequency	1800 RPM @ 60 HZ
Voltage @ Frequency	230.0 V @ 60 HZ 115.0 V @ 60 HZ
XP Class and Group	None
XP Division	Not Applicable
Agency Approvals	CSA UR
Ambient Temperature	40 °C
Auxillary Box	No Auxillary Box
Auxillary Box Lead Termination	None
Base Indicator	No Mounting
Bearing Grease Type	Polyrex EM (-20F +300F)
Blower	None
Current @ Voltage	9.200 A @ 115.0 V 4.600 A @ 230.0 V
Design Code	N
Drip Cover	No Drip Cover
Duty Rating	CONT
Efficiency @ 100% Load	70.0 %
Electrically Isolated Bearing	Not Electrically Isolated
Feedback Device	NO FEEDBACK
Front Face Code	Standard
Front Shaft Indicator	None
Heater Indicator	No Heater
High Voltage Full Load Amps	4.6 a

Part detail

Revision	B
Type	AC
Mech. spec.	35E4628
Base	
Status	PRD/A
Elec. spec.	35WGL340
Layout	35LYE4628
Eff. date	01-21-2021
CD Diagram	CD0648
Poles	04
Leads	7#18
Proprietary	False
Created date	06-12-2017

Insulation Class	F
Inverter Code	Not Inverter
KVA Code	L
Lifting Lugs	No Lifting Lugs
Locked Bearing Indicator	Locked Bearing
Motor Finish	UNPAINTED
Motor Lead Exit	Ko Box
Motor Lead Quantity/Wire Size	7 @ 18 AWG
Motor Lead Termination	Flying Leads
Motor Standards	NEMA
Motor Type	3532L
Mounting Arrangement	F1
Number of Poles	4
Overall Length	14.83 IN
Power Factor	75
Product Family	WD All SD Non-Encapsulated
Pulley End Bearing Type	Sealed Bearing
Pulley Face Code	C-Face
Pulley Shaft Indicator	Standard
Rodent Screen	None
RoHS Status	ROHS COMPLIANT
Service Factor	1.15
Shaft Diameter	0.625 IN
Shaft Extension Location	Pulley End
Shaft Ground Indicator	No Shaft Grounding
Shaft Rotation	Reversible
Shaft Slinger Indicator	No Slinger
Speed	1740 rpm
Speed Code	Single Speed
Starting Method	Direct on line
Thermal Device - Bearing	None
Thermal Device - Winding	None
Vibration Sensor Indicator	No Vibration Sensor
Winding Thermal 1	None

Winding Thermal 2

None

Nameplate

NP1951A13									
CAT.NO.	VFSWDL3507								
SPEC.	35E4628L340G1								
HP	.75								
VOLTS	115/230								
AMP	9.2/4.6								
RPM	1740								
FRAME	56C		HZ	60		PH	1		
SER.F.	1.15	CODE	L	DES	N	CLASS	F		
NEMA-NOM-EFF	70	PF	75						
RATING	40C AMB-CONT								
CC		USABLE AT 208V							
DE	6205	ODE	6205						
ENCL	TEFC	SN							

Parts list

Part number	Description	Quantity
SA342521	SA 35E4628L340G1	1.000 ea
RA330948	RA 35E4628L340G1	1.000 ea
EC1460A03	ELEC CAP 115V 1.8 X 3.3 CK - WESTVILLE	1.000 ea
ES5503	115/40A,L ,CV ,130CO,.8*2.2*1.4,*4-7-2	1.000 ea
11XW1032G06	10-32 X .38, TAPTITE II, HEX WSHR SLTD U	1.000 ea
35EP1940A05	FRONT TEFC 205 BRG (STAINLESS)	1.000 ea
RM1070A25	O-RING, VITON/FKM .070CS X 6.190ID	1.000 ea
HW4600G01	.984X1.499X.25 VITON SLICK SERIES LIP	1.000 ea
HW4600E99	25 X 42 X 6 AFX SEAL, GRAPHITE INFUSED V	1.000 ea
HW4500S33	1/8 NPT STAINLESS #304 SS PLUG	3.000 ea
HA4054	SHORT T-DRAIN FITTING, .125" N.P.T.	1.000 ea
HW5100A05	WVY WSHR F/205 & 304 BRGS	1.000 ea
35EP1935A02	PULLEY 56C/143-5TC ENCL 205 BRG	1.000 ea
RM1070A25	O-RING, VITON/FKM .070CS X 6.190ID	1.000 ea
HW4600G01	.984X1.499X.25 VITON SLICK SERIES LIP	1.000 ea
HW4600E99	25 X 42 X 6 AFX SEAL, GRAPHITE INFUSED V	1.000 ea
HW4500S33	1/8 NPT STAINLESS #304 SS PLUG	3.000 ea
HA4054	SHORT T-DRAIN FITTING, .125" N.P.T.	1.000 ea
RM1070A26	O-RING,4.5MM I.D.X1.5MM C.S. (VITON)	4.000 ea
35FH4005A39	IEC FH NO GREASER DEBURR/CLEAN - SS	1.000 ea
10XN1032FS06	HEX HD CAP SCREW 10-32 X 3/8 SS FOOD SAF	3.000 ea
35CB1510A01G	35 CB LID SINGLE PHASE MACHINED W/ FIPG	1.000 ea
10XN1032FS08	HEX HD CAP SCREW 10-32 X 1/2 SS FOOD SAF	6.000 ea
HW2502D13	SS KEY, 3/16 SQ X 1.375	1.000 ea
HA7000A04	KEY RETAINER 0.625 DIA SHAFTS	1.000 ea
MJ5001A27	32220KN GRAY SEALER *MIN BUY 4 QTS=1GAL	0.005 qt
MJ5004A93	FOOD GRADE (H1 RATED) ANTISEIZE THRD COM	0.005 ea
WD1000A15	3-520132-2 AMP FLAG (4M/RL NON-CANC/NON-	2.000 ea
MJ1000A02	GREASE, POLYREX EM EXXON	0.050 lb
HA7724	CAPACITOR CLAMP & SWITCH BRACKET FOR 35C	1.000 ea
51XW0832A07	8-32 X .44, TAPTITE II, HEX WSHR SLTD SE	2.000 ea

51XN1032A08	10-32 X 0.500 HX WS SL SR ZN	1.000 ea
35FN3002A05SP	EXFN, PLASTIC, 6.376 OD, .638 ID	1.000 ea
11XB1214S16	12-14X1.00 HXWSSLD TYP B STAINLESS	1.000 ea
WD5603A04	KIT, CLOSED-END LEAD SPLICE (18-14GA)	1.000 ea
34GS5003A01	FOAM SLEEVE, ID = 2 1/16" X 4 3/8"	1.000 ea
HA3100FS60	THRUBOLT, 10-32 X 10.375 SS FOOD SAFE	4.000 ea
36PA1000	PKG GRP, PRINT PK1016A06	1.000 ea
PK3082	STYROFOAM CRADLE	1.000 ea
PK3088	MICROFOAM, 8"X"8 PERF. SHEETS	1.000 ea
MN416A01	TAG-INSTAL-MAINT no wire (2100bx)4/22	1.000 ea
HA5027A07	85XU1208S08 FACE DRAIN PINS BAGGED	1.000 ea
FE-0000016	ZTRG FE ASSEMBLY	1.000 ea
PE-0000016	ZRTG PE ASSEMBLY	1.000 ea

AC Induction Motor Performance Data

Record # 51501

Typical performance - not guaranteed values

Winding: 35WGL340-R001			Type: 3532L		Enclosure: TEFC	
Nameplate Data				115 V, 60 Hz: Low Voltage Connection		
Rated Output (HP)			.75	Full Load Torque	2.27 LB-FT	
Volts			115/230	Start Configuration	direct on line	
Full Load Amps			9.4/4.7	Breakdown Torque	4.93 LB-FT	
R.P.M.			1730	Pull-up Torque	3.59 LB-FT	
Hz	60	Phase	1	Locked-rotor Torque	9.18 LB-FT	
NEMA Design Code	N	KVA Code	M	Starting Current	68.8 A	
Service Factor (S.F.)			1.25	No-load Current	5.24 A	
NEMA Nom. Eff.	72	Power Factor	78	Line-line Res. @ 25°C	0.825 Ω A Ph 1.7 Ω B Ph	
Rating - Duty			40C AMB-CONT	Temp. Rise @ Rated Load	71°C	
S.F. Amps			11.6/5.8	Temp. Rise @ S.F. Load	92°C	
				Locked-rotor Power Factor	96.8	
				Rotor inertia	0.19 LB-FT ²	

Load Characteristics 115 V, 60 Hz, 0.75 HP

% of Rated Load	25	50	75	100	125	150	S.F.
Power Factor	46	62	72	79	84	86	84
Efficiency	46.3	60.5	64.8	64.8	62.4	56.4	62.4
Speed	1785	1770	1753	1732	1706	1660	1706
Line amperes	5.67	6.58	7.8	9.45	11.6	15	11.6

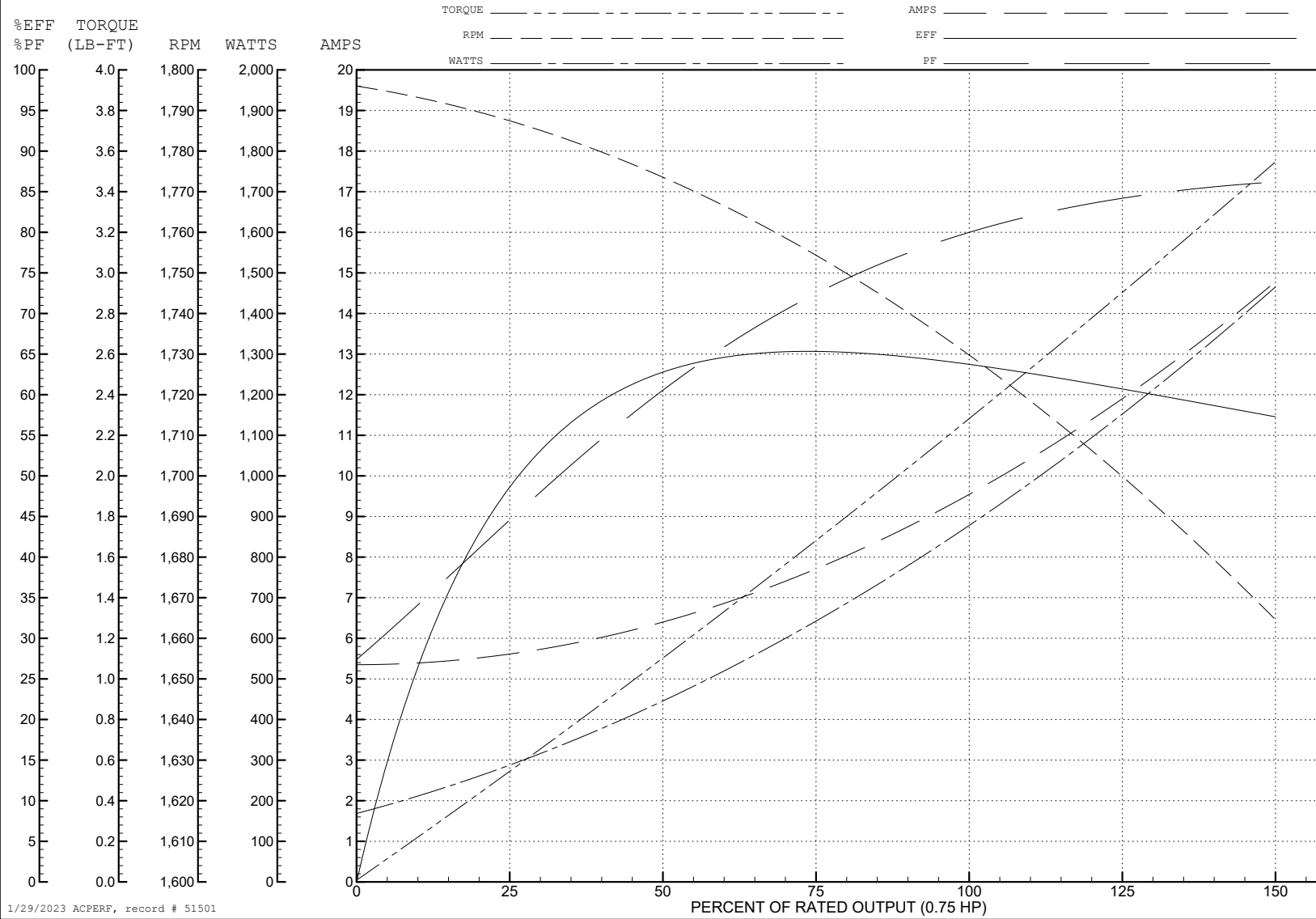
ABB Motors and Mechanical Inc.

WINDING # 35WGL340

Typical performance - not guaranteed values.

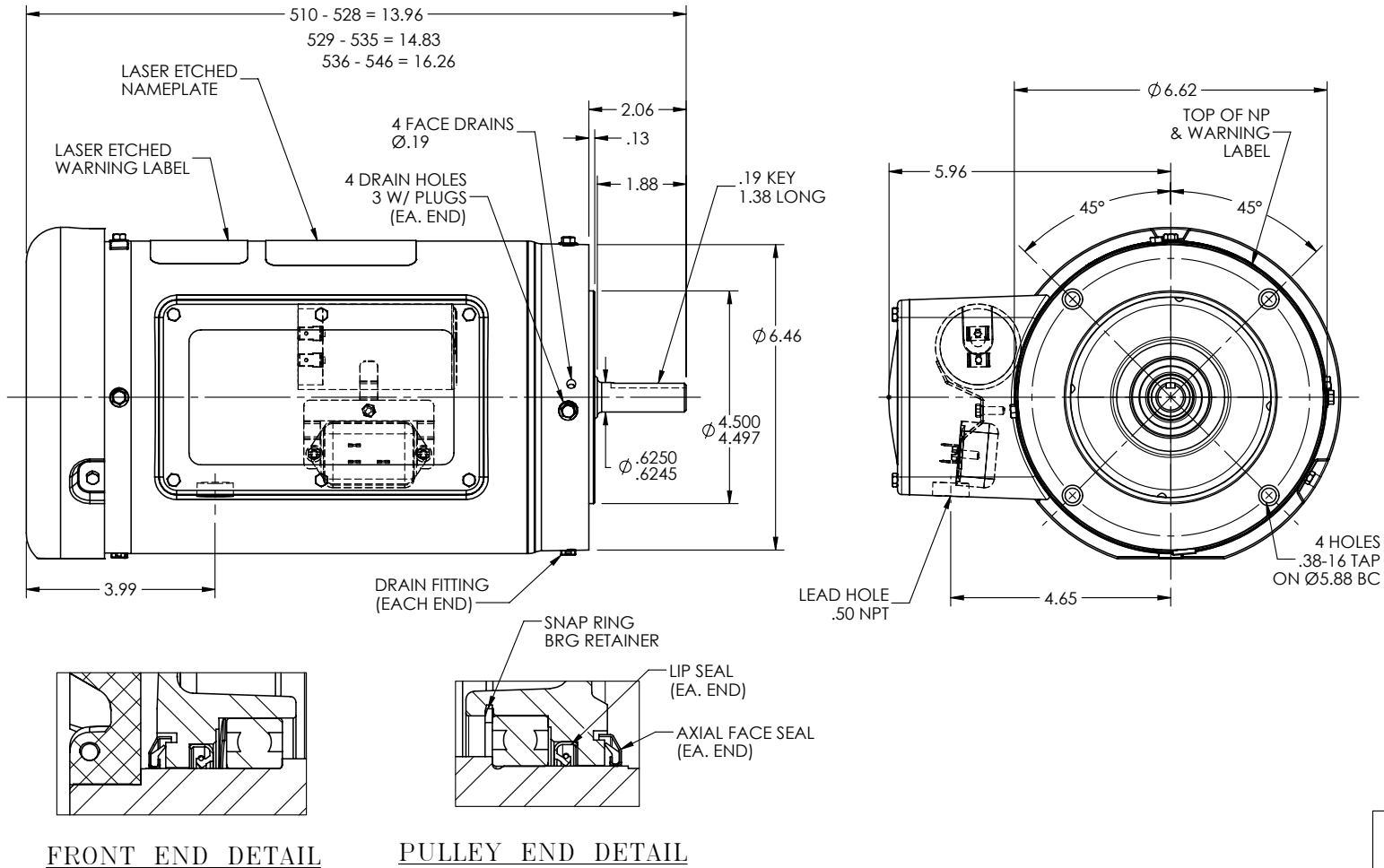
0.75 HP 1 PH 60 HZ 1730 RPM 115 V 3532L

TORQUES (LB-FT): PO=4.93 PU=3.59 LR=9.18 LRA=68.8



1/29/2023 ACPERF, record # 51501

35LYE4628



CUSTOMER IS RESPONSIBLE FOR DETERMINING THAT BALDOR'S PRODUCT WILL PERFORM SUITABLY IN THE INTENDED APPLICATION

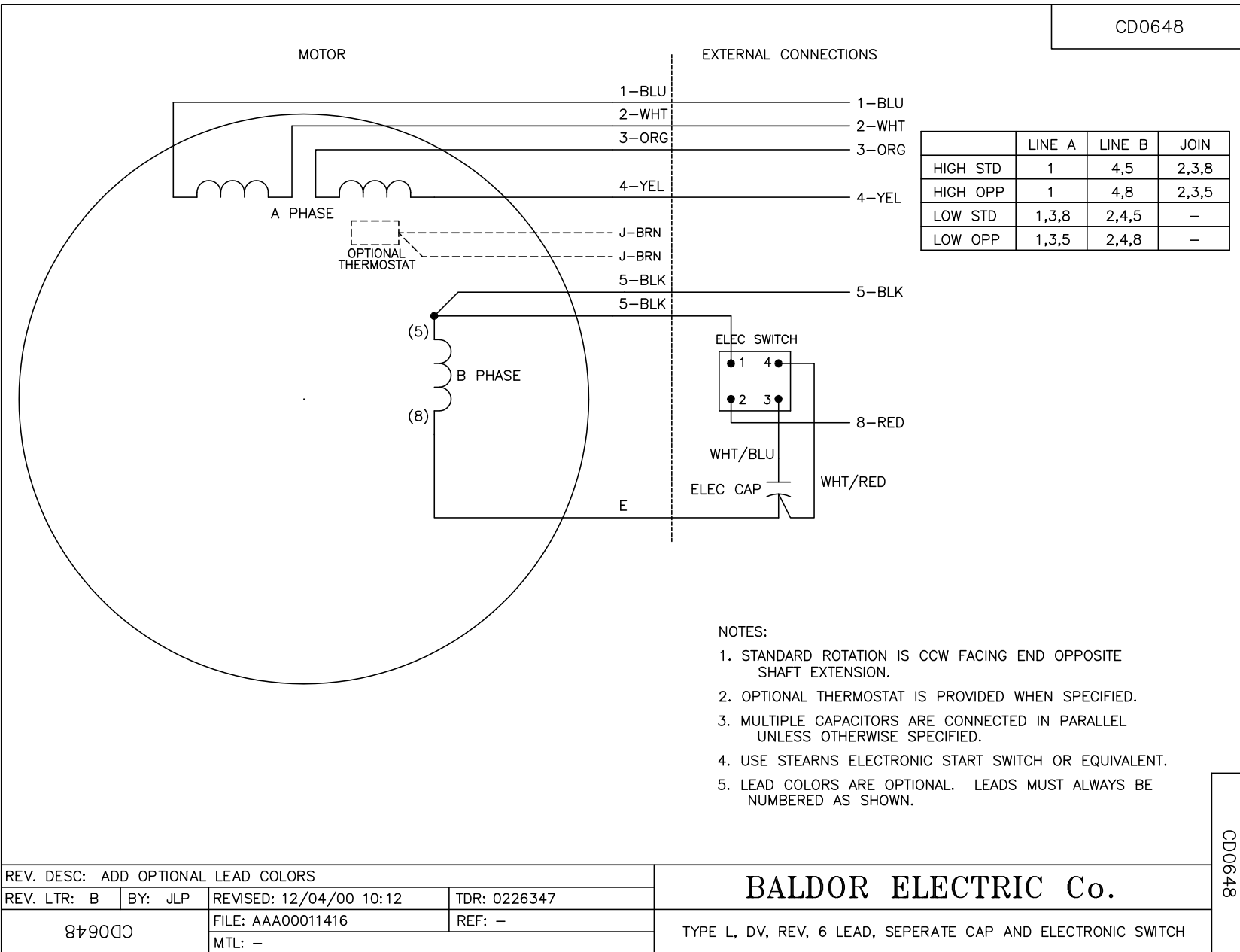
REV. DESC: NEW			
REV: -	VERSION: 00	REVISED: 02:29:23 06/08/2017	TDR: 000001000877
35LYE4628		MODEL NO. 35LYE4628	REF: -
		BY: ENADAF0	

BALDOR

STD VER 56C TEFC 35L WD11/12

35LYE4628

CD0648



CD0648

REV. DESC: ADD OPTIONAL LEAD COLORS			
REV. LTR: B	BY: JLP	REVISED: 12/04/00 10:12	TDR: 0226347
879000		FILE: AAA00011416	REF: -
		MTL: -	

BALDOR ELECTRIC Co.

TYPE L, DV, REV, 6 LEAD, SEPERATE CAP AND ELECTRONIC SWITCH