

**BALDOR • RELIANCE**

---

# Customer information packet

## VFSWDM3543-E

.75HP, 1170RPM, 3PH, 60HZ, 56C, 3530M, TENV, F1

Class - None

Division - Not Applicable

## Specifications

Enclosure	TENV
Frame	56C
Frame Material	Stainless Steel
Frequency	60.00 Hz
Motor Letter Type	Three Phase
Output @ Frequency	.750 HP @ 60 HZ
Phase	3
Synchronous Speed @ Frequency	1200 RPM @ 60 HZ
Voltage @ Frequency	208.0 V @ 60 HZ 230.0 V @ 60 HZ 460.0 V @ 60 HZ
XP Class and Group	None
XP Division	Not Applicable
Agency Approvals	CSA CURUSEEV NEMA PREMIUM NEMA_PREMIUM WEEE
Ambient Temperature	40 °C
Auxillary Box	No Auxillary Box
Auxillary Box Lead Termination	None
Base Indicator	No Mounting
Bearing Grease Type	Polyrex EM (-20F +300F)
Blower	None
Current @ Voltage	2.800 A @ 208.0 V 2.700 A @ 230.0 V 1.350 A @ 460.0 V
Design Code	B
Drip Cover	No Drip Cover
Duty Rating	CONT
Efficiency @ 100% Load	82.5 %
Electrically Isolated Bearing	Not Electrically Isolated

## Part detail

Revision	C
Type	AC
Mech. spec.	35E4656
Base	
Status	PRD/A
Elec. spec.	35WGG335
Layout	35LYE4656
Eff. date	11-08-2023
CD Diagram	CD0005
Poles	06
Leads	9#18
Proprietary	False
Created date	09-09-2022

Feedback Device	NO FEEDBACK
Front Shaft Indicator	None
Heater Indicator	No Heater
High Voltage Full Load Amps	1.4 a
Insulation Class	H
Inverter Code	Inverter Duty
KVA Code	L
Lifting Lugs	No Lifting Lugs
Locked Bearing Indicator	Locked Bearing
Max Speed	1800 rpm
Motor Finish	UNPAINTED
Motor Lead Quantity/Wire Size	9 @ 18 AWG
Motor Lead Termination	Flying Leads
Motor Standards	NEMA
Motor Type	3530M
Mounting Arrangement	F1
Number of Poles	6
Overall Length	13.67 IN
Power Factor	61
Product Family	WD All SD Non-Encapsulated
Pulley End Bearing Type	Sealed Bearing
Pulley Face Code	C-Face
Pulley Shaft Indicator	Standard
Rodent Screen	None
Service Factor	1.15
Shaft Diameter	0.625 IN
Shaft Ground Indicator	No Shaft Grounding
Shaft Rotation	Reversible
Shaft Slinger Indicator	No Slinger
Speed	1170 rpm
Speed Code	Single Speed
Starting Method	Direct on line
Thermal Device - Bearing	None
Thermal Device - Winding	None

<b>Vibration Sensor Indicator</b>	<b>No Vibration Sensor</b>
<b>Winding Thermal 1</b>	<b>None</b>
<b>Winding Thermal 2</b>	<b>None</b>

**Nameplate**

<b>NP4427AAA01</b>											
<b>CAT #</b>	VFSWDM3543-E				<b>WT</b>	45	<b>LBS</b>				
<b>SPEC</b>	35E4656G335G1				<b>ENCL</b>	TENV					
<b>SER #</b>					<b>CC</b>	010A	<b>IP</b>	69			
<b>HP</b>	.75	<b>MAG CUR</b>		1.6-1.8/.9							
<b>VOLTS</b>	208-230/460				<b>NEMA NOM. EFF</b>		82.5				
<b>AMPS</b>	2.8-2.7/1.35				<b>PF</b>	61					
<b>RATING</b>	40C AMB-CONT										
<b>RPM</b>	1170				<b>MAX RPM</b>		1800				
<b>FRAME</b>	56C	<b>HZ</b>	60	<b>CODE</b>	L	<b>CLASS</b>	H				
<b>SER.F.</b>	1.15	<b>SF AMP</b>	3-2.9/1.45		<b>PH</b>	3	<b>DES</b>	B			
<b>DE</b>	6205		<b>ODE</b>	6205							
<b>LUBRICATION</b>	POLYREX EM										
<b>ID LOGO</b>	<b>INVERTER TYPE</b>		<b>VPWM</b>		<b>CHP</b>	60	<b>TO</b>	90	1.5:1		
<b>ID LOGO</b>	<b>WK2</b>	0.217	<b>CT</b>	15	<b>TO</b>	60	4:1				
<b>ID LOGO</b>	<b>SL HZ</b>	1.5	<b>VT</b>	3	<b>TO</b>	60	20:1				
											<b>QR</b>
<b>YR</b>											

## Parts list

Part number	Description	Quantity
SA407329	SA 35E4656G335G1	1.000 ea
RA398828	RA 35E4656G335G1	1.000 ea
35CB1017A01	35/36 MID SECT - 3 PC. CONDUIT BOX 1/2 N	1.000 ea
HA3424S48	STUD - M6X1.0 THDS X 3.00"	1.000 ea
RM1070A81	O-RING, -043 VITON/FKM .070CS X 3.489ID	1.000 ea
35CB1513A01	35-36-37 MACH. LID - 3 PC. CONDUIT BOX	1.000 ea
11XW1032G08	10-32 X .50, TAPTITE II, HEX WSHR SLTD U	1.000 ea
HW3001B02	BRASS CUP WASHER W/GROUND SYMBOL TAB,	1.000 ea
35EP1940A03	FRONT TENV 205 BRG (STAINLESS)	1.000 ea
RM1070A25	O-RING, VITON/FKM .070CS X 6.190ID	1.000 ea
HW4500S33	1/8 NPT STAINLESS #304 SS PLUG	4.000 ea
HW5100A05	WVY WSHR F/205 & 304 BRGS	1.000 ea
35EP1935A02	PULLEY 56C/143-5TC ENCL 205 BRG	1.000 ea
RM1070A25	O-RING, VITON/FKM .070CS X 6.190ID	1.000 ea
HW4600G01	.984X1.499X.25 VITON SLICK SERIES LIP	1.000 ea
HW4600E99	25 X 42 X 6 AFX SEAL, GRAPHITE INFUSED V	1.000 ea
HW4500S33	1/8 NPT STAINLESS #304 SS PLUG	4.000 ea
RM1070A26	O-RING,4.5MM I.D.X1.5MM C.S. (VITON)	4.000 ea
RM1070A81	O-RING, -043 VITON/FKM .070CS X 3.489ID	1.000 ea
HW2502D13	SS KEY, 3/16 SQ X 1.375	1.000 ea
HA7000A04	KEY RETAINER 0.625 DIA SHAFTS	1.000 ea
MJ5001A27	32220KN GRAY SEALER *MIN BUY 4 QTS=1GAL	0.005 qt
MJ5004A93	FOOD GRADE (H1 RATED) ANTISEIZE THRD COM	0.005 ea
HA1025A21	WSHR,FELT .125" THK	1.000 ea
HA5027A09	DRAIN KIT,(2)HA4002A03 BAGGED W/LABEL	1.000 ea
MJ1000A02	GREASE, POLYREX EM EXXON	0.050 lb
WD5603A01	KIT, CLOSED-END LEAD SPLICE (18-14GA)	1.000 ea
HA3100FS60	THRUBOLT, 10-32 X 10.375 SS FOOD SAFE	4.000 ea
36PA1000	PKG GRP, PRINT PK1016A06	1.000 ea
PK3082	STYROFOAM CRADLE	1.000 ea
MN416A01	TAG-INSTAL-MAINT no wire (2100bx)4/22	1.000 ea

---

FE-0000005	ZRTG FE ASSEMBLY	1.000 ea
PE-0000006	ZRTG FE ASSEMBLY	1.000 ea

---

**AC Induction Motor Performance Data**

Record # 87730

Preliminary Data Sheet

Winding: 35WGG335-R001		Type: 3530M	Enclosure: TENV		
<b>Nameplate Data</b>			<b>460 V, 60 Hz: High Voltage Connection</b>		
Rated Output (HP)	.75	Full Load Torque	3.38 LB-FT		
Volts	208-230/460	Start Configuration	direct on line		
Full Load Amps	2.8-2.7/1.35	Breakdown Torque	13.03 LB-FT		
R.P.M.	1170	Pull-up Torque	7.09 LB-FT		
Hz	60 Phase	3	Locked-rotor Torque	8.26 LB-FT	
NEMA Design Code	B	KVA Code	L	Starting Current	8.66 A
Service Factor (S.F.)	1.15	No-load Current	0.928 A		
NEMA Nom. Eff.	82.5	Power Factor	61	Line-line Res. @ 25°C	22.1 Ω
Rating - Duty	40C	AMB-CONT	Temp. Rise @ Rated Load		70°C
S.F. Amps	3-2.9/1.45	Temp. Rise @ S.F. Load	80°C		
		Locked-rotor Power Factor	46.9		
		Rotor inertia	0.218 lb-ft <sup>2</sup>		

**Load Characteristics 460 V, 60 Hz, 0.75 HP**

% of Rated Load	25	50	75	100	125	150	S.F.
Power Factor	28	43	55	64	70	74	68
Efficiency	67.6	78.4	81.4	82.1	81.5	80.3	81.7
Speed	1194	1187	1181	1173	1165	1156	1168
Line amperes	0.953	1.04	1.17	1.34	1.54	1.77	1.46



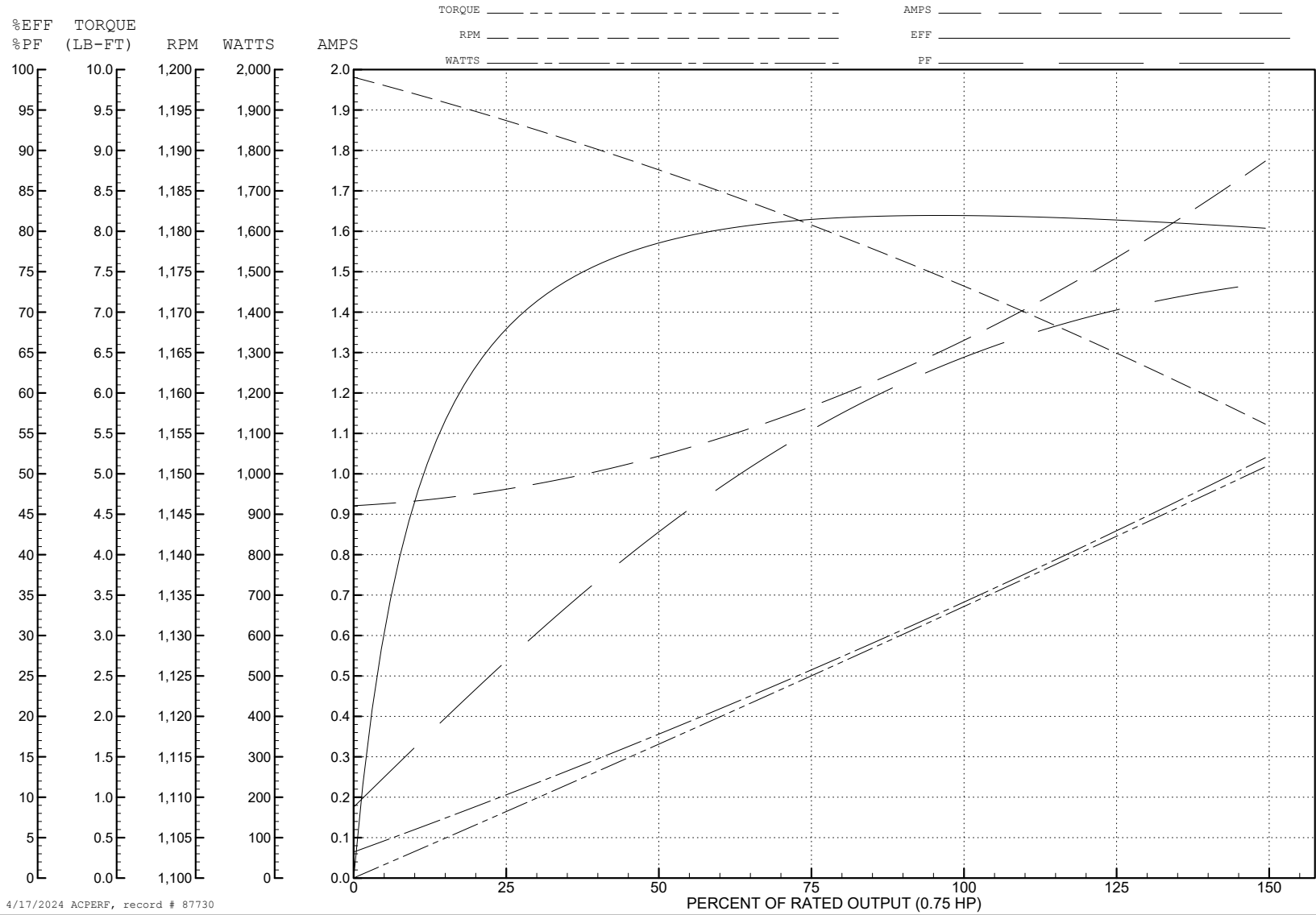
ABB Motors and Mechanical Inc.

WINDING # 35WGG335

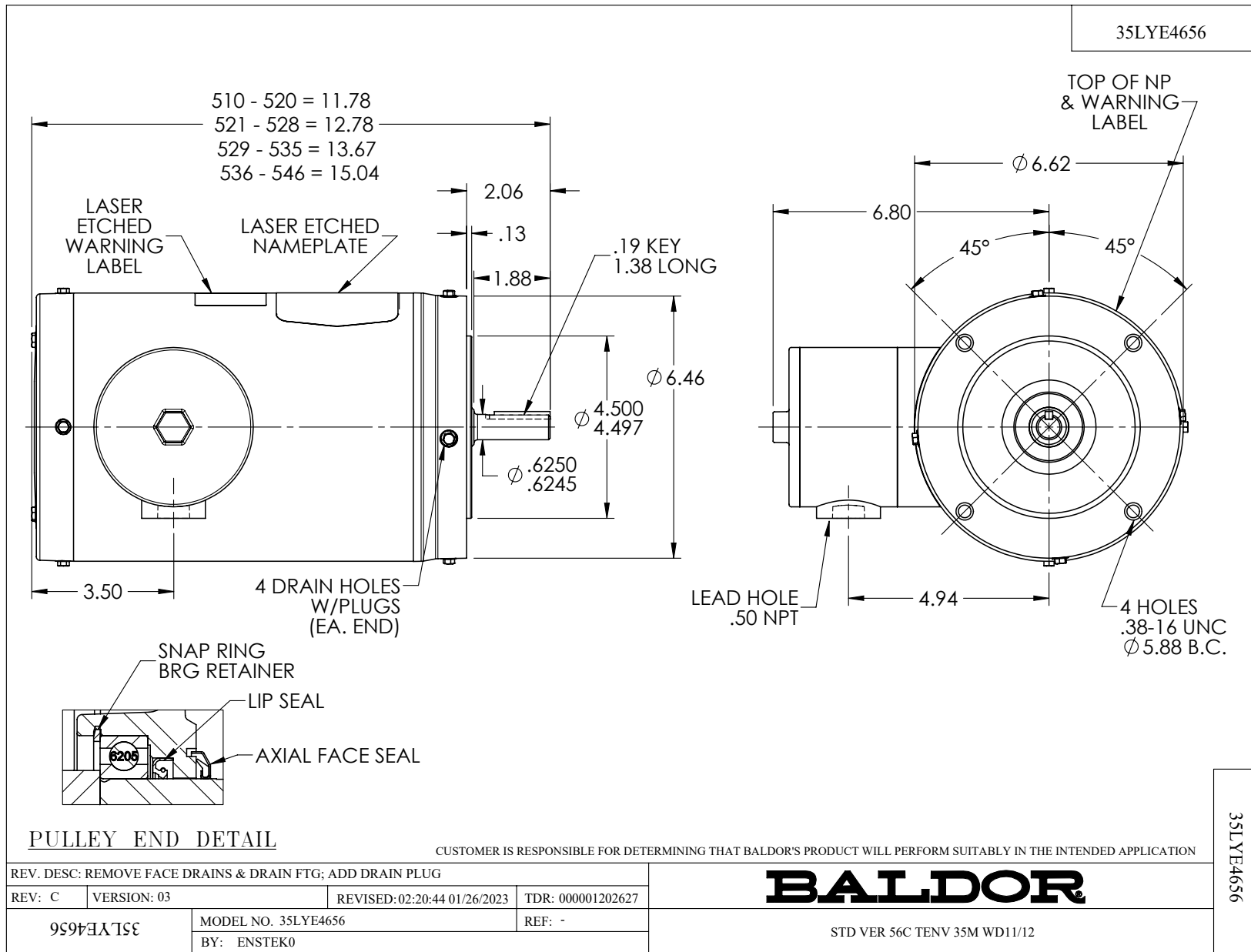
Typical performance - not guaranteed values.

0.75 HP 3 PH 60 HZ 1170 RPM 460 V 3530M

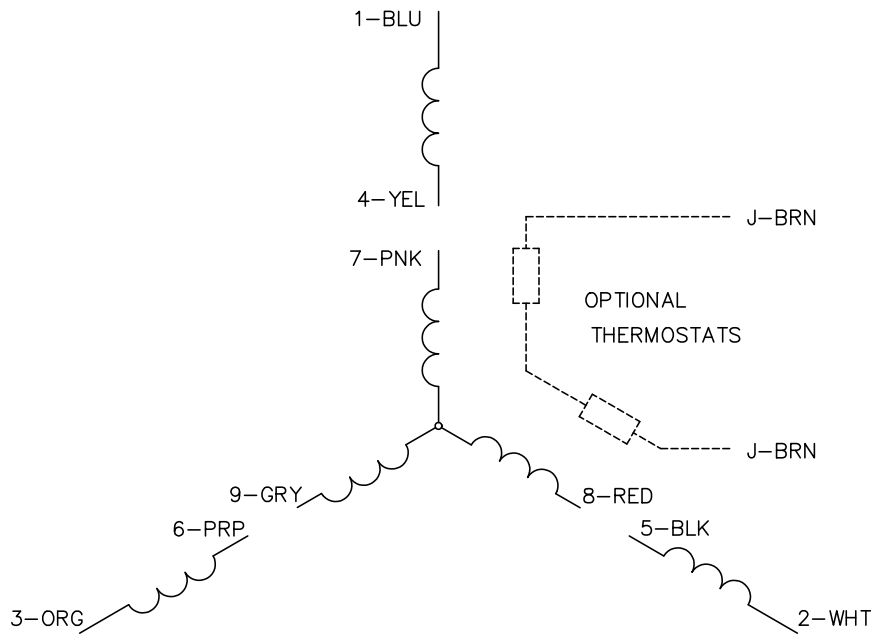
TORQUES (LB-FT): PO=13.03 PU=7.09 LR=8.26 LRA=8.66



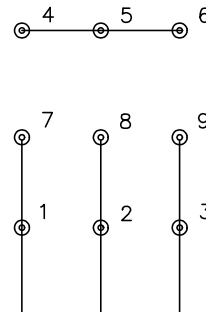
4/17/2024 ACPERF, record # 87730



CD0005



LOW VOLTAGE  
(2Y)



LINE

HIGH VOLTAGE  
(1Y)



LINE

NOTES:

1. INTERCHANGE ANY TWO LINE LEADS TO REVERSE ROTATION.
2. OPTIONAL THERMOSTATS ARE PROVIDED WHEN SPECIFIED.
3. ACTUAL NUMBER OF INTERNAL PARALLEL CIRCUITS MAY BE A MULTIPLE OF THOSE SHOWN ABOVE.
4. LEAD COLORS ARE OPTIONAL. LEADS MUST ALWAYS BE NUMBERED AS SHOWN.

CD0005

REV. DESC: REVISE TO SHOW OPTIONAL COLORS			
REV. LTR: E	BY: JLP	REVISED: 01/19/99 10:15	TDR: 0171435
S00000		FILE: AAA00005140	MDL: -
		MTL: -	

**BALDOR ELECTRIC Co.**

3PH, DV, 9 LEADS