

BALDOR® • RELIANCE 

Product Information Packet

VL1303

.5HP,3450RPM,1PH,60HZ,56C,3413L,OPEN,F1

Part Detail							
Revision:	P	Status:	INA/A	Change #:		Proprietary:	No
Type:	AC	Elec. Spec:	34WGX716	CD Diagram:	CD0001	Mfg Plant:	
Mech. Spec:	34F551	Layout:	34LYF551	Poles:	02	Created Date:	
Base:	N	Eff. Date:	01-21-2015	Leads:	6#18		

Specs			
Catalog Number:	VL1303	Insulation Class:	B
Enclosure:	ODP	Inverter Code:	Not Inverter
Frame:	56C	KVA Code:	L
Frame Material:	Steel	Lifting Lugs:	No Lifting Lugs
Output @ Frequency:	.500 HP @ 60 HZ	Locked Bearing Indicator:	Locked Bearing
Synchronous Speed @ Frequency:	3600 RPM @ 60 HZ	Motor Lead Quantity/Wire Size:	6 @ 18 AWG
Voltage @ Frequency:	115.0 V @ 60 HZ	Motor Lead Exit:	Ko Box
	230.0 V @ 60 HZ	Motor Lead Termination:	Flying Leads
XP Division:	Not Applicable	Motor Type:	3413L
Agency Approvals:	UR	Mounting Arrangement:	F1
	CSA	Power Factor:	72
Auxillary Box:	No Auxillary Box	Product Family:	General Purpose
Auxillary Box Lead Termination:	None	Pulley End Bearing Type:	Ball
Base Indicator:	No Mounting	Pulley Face Code:	C-Face
Bearing Grease Type:	Polyrex EM (-20F +300F)	Pulley Shaft Indicator:	Standard
Blower:	None	Rodent Screen:	None
Current @ Voltage:	3.500 A @ 230.0 V	RoHS Status:	ROHS COMPLIANT
	4.100 A @ 208.0 V	Shaft Extension Location:	Pulley End

	7.000 A @ 115.0 V	Shaft Ground Indicator:	No Shaft Grounding
Design Code:	N	Shaft Rotation:	Reversible
Drip Cover:	Drip Cover	Shaft Slinger Indicator:	No Slinger
Duty Rating:	CONT	Speed Code:	Single Speed
Electrically Isolated Bearing:	Not Electrically Isolated	Motor Standards:	NEMA
Feedback Device:	NO FEEDBACK	Starting Method:	Direct on line
Front Face Code:	Drip Cover Mounting	Thermal Device - Bearing:	None
Front Shaft Indicator:	None	Thermal Device - Winding:	None
Heater Indicator:	No Heater	Vibration Sensor Indicator:	No Vibration Sensor

Nameplate NP1256L										
CAT.NO.	VL1303									
SPEC.	34F551X716									
HP	.5									
VOLTS	115/230									
AMP	7/3.5									
RPM	3450									
FRAME	56C				HZ	60			PH	1
SER.F.	1.25		CODE	L	DES	N		CLASS	B	
NEMA-NOM-EFF	66		PF	72						
RATING	40C AMB-CONT									
CC									USABLE AT 208V	4.1
DE	6203				ODE	6203				
ENCL	OPEN		SN							
	SFA 8/4									

Parts List		
Part Number	Description	Quantity
SA047585	SA 34F551X716	1.000 EA
RA042841	RA 34F551X716	1.000 EA
EC1400A03	ELEC CAP, 400-480 MFD, 125V, 1.81D X 3.	1.000 EA
NS2512A01	INSULATOR, CONDUIT BOX X	1.000 EA
34CB3002A	CB CAST W/.88 DIA HOLE	1.000 EA
51XB1016A07	10-16 X 7/16 HXWSSLD SERTYB	2.000 EA
11XW1032G06	10-32 X .38, TAPTITE II, HEX WSHR SLTD U	1.000 EA
34EP3210A03SP	FR ENDPLATE, MACH	1.000 EA
SP1006A01	INSULATOR MODEL 35 SWITCH	1.000 EA
51XW0832A07	8-32 X .44, TAPTITE II, HEX WSHR SLTD SE	2.000 EA
NS2501A01	INSULATOR, CAPACITOR	1.000 EA
51XB1016A05	10-16X5/16HX WA SL SR TYB (F/S)	2.000 EA
HW5100A03	WAVY WASHER (W1543-017)	1.000 EA
34EP3401A01SP	PU ENDPLATE, MACH	1.000 EA
34AD2000	BAFFLE PLATE, STAMPED	1.000 EA
51XT0632A06	6-32X3/8 TY23 HXWS SLDSR	4.000 EA
51XN1032A20	10-32 X 1 1/4 HX WS SL SR	2.000 EA
34FH4000A11	DRIP COVER, STAMPED,PRIMER	1.000 EA
51XW1032A06	10-32 X .38, TAPTITE II, HEX WSHR SLTD S	3.000 EA
34CB4517	CB LID 4 MTG HOLES .22 DIA STAMPED, FOR	1.000 EA
51XW0832A07	8-32 X .44, TAPTITE II, HEX WSHR SLTD SE	4.000 EA
HW2501D13	KEY, 3/16 SQ X 1.375	1.000 EA
HA7000A04	KEY RETAINER 0.625 DIA SHAFTS	1.000 EA
34GS5003A01	FOAM SLEEVE, ID = 2 1/16" X 4 3/8"	1.000 EA

Parts List (continued)		
Part Number	Description	Quantity
MG1000G27	MED CHARCOAL METALLIC GREY 400-0096	0.014 GA
10XF0440S02	04-40 X 1/8 TYPE F HEX HD STAINLESS STIC	2.000 EA
SP5056A24	34 TYPE L STATIONARY SWITCH W/ LEADS	1.000 EA
33CB4800A01	CAPACITOR COVER, STAMPED	1.000 EA
HA3100A12	THRUBOLT 10-32 X 7.375	4.000 EA
MN416A01	TAG-INSTAL-MAINT no wire (2200bx) 4/22	1.000 EA
LB1125C01	STD (STOCK) CARTON LABEL BALDOR WITH FLA	1.000 EA
LC0001A01	CONN LABEL / WARNING LABEL (LC0001 / LB1	1.000 EA
NP1256L	ALUM UL CSA CC INDUSTRIAL MOTOR A60	1.000 EA
34PA1005	PKG GRP, PRINT PK1008A06	1.000 EA
PK3083T	STYROFOAM PACKING CRADLE W/TAPE	1.000 EA

AC Induction Motor Performance Data

Record # 50761

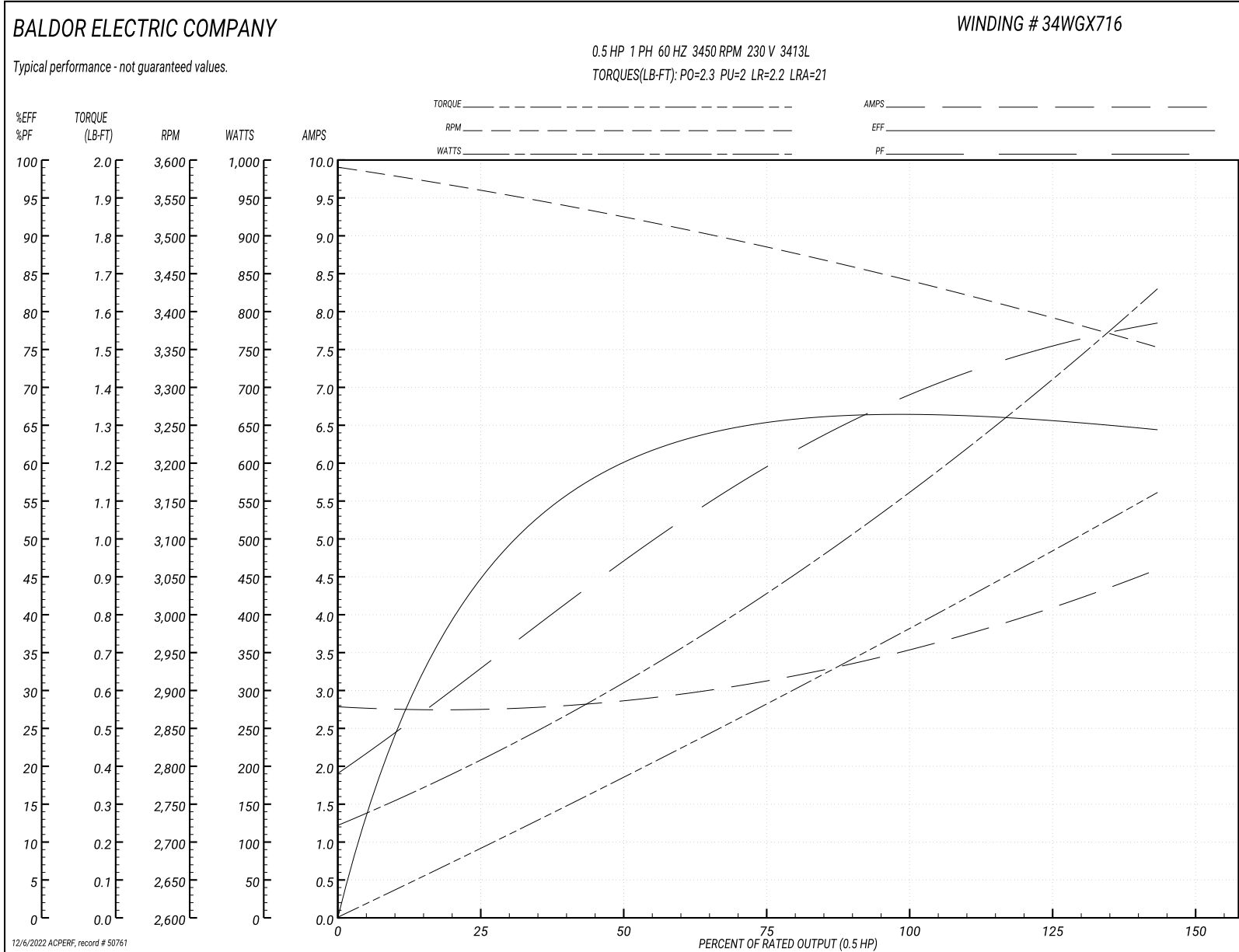
Typical performance - not guaranteed values

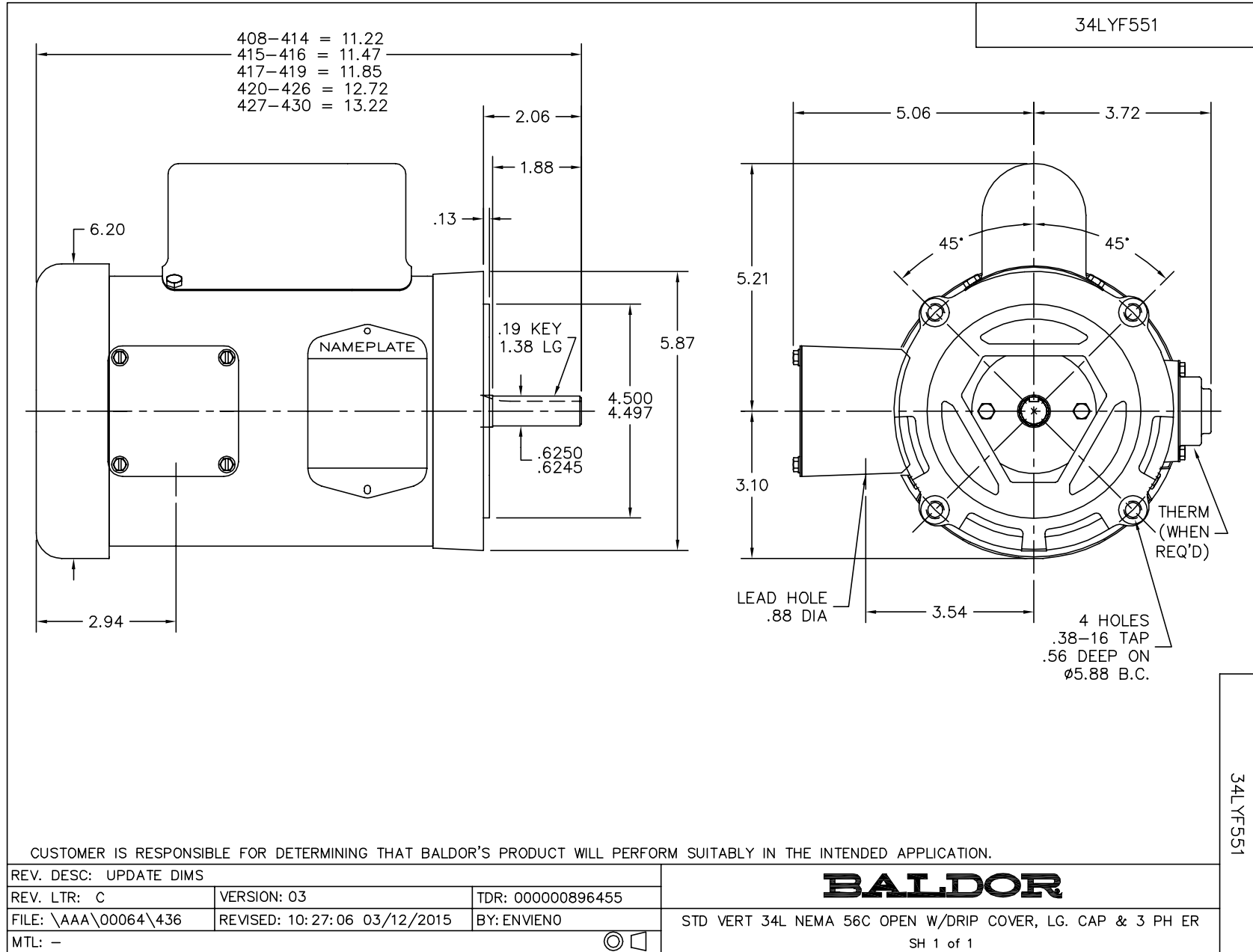
Winding: 34WGX716-R001		Type: 3413L	Enclosure: OPEN
Nameplate Data		230 V, 60 Hz: High Voltage Connection	
Rated Output (HP)	.5	Full Load Torque	0.75 LB-FT
Volts	115/230	Start Configuration	direct on line
Full Load Amps	7/3.5	Breakdown Torque	2.3 LB-FT
R.P.M.	3450	Pull-up Torque	2 LB-FT
Hz	60 Phase 1	Locked-rotor Torque	2.2 LB-FT
NEMA Design Code	N KVA Code L	Starting Current	21 A
Service Factor (S.F.)	1.25	No-load Current	2.76 A
NEMA Nom. Eff.	66 Power Factor 72	Line-line Res. @ 25°C	4.163 Ω A Ph 4.624 Ω B Ph
Rating - Duty	40C AMB-CONT	Temp. Rise @ Rated Load	
S.F. Amps	8/4	Temp. Rise @ S.F. Load	

Load Characteristics 230 V, 60 Hz, 0.5 HP

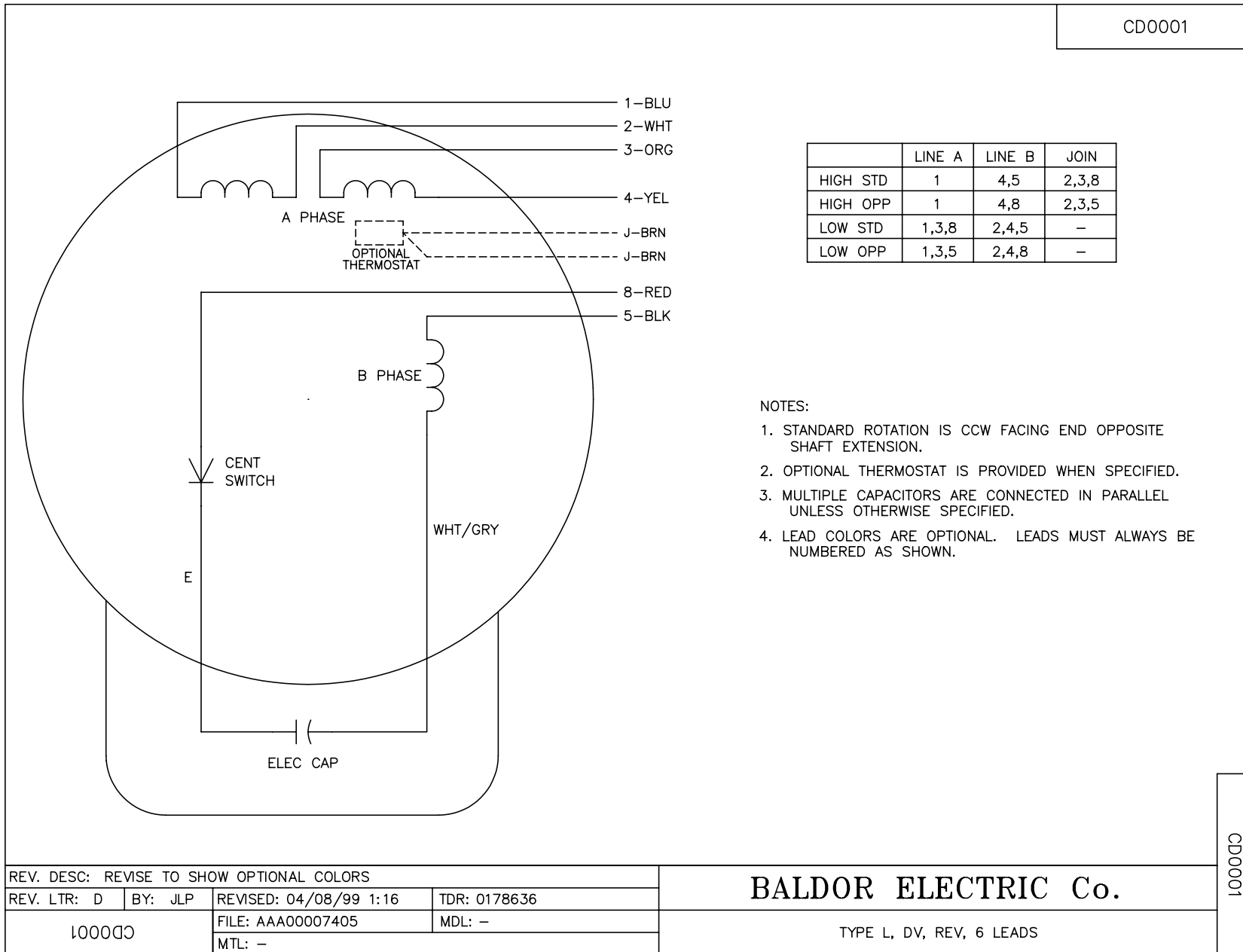
% of Rated Load	25	50	75	100	125	150	S.F.
Power Factor	29	48	60	69	76	78	76
Efficiency	50.7	58.5	64.8	66.2	65.8	64.6	65.8
Speed	3548	3520	3489	3449	3405	3346	3405
Line amperes	2.78	2.88	3.13	3.5	3.95	4.64	3.95

Performance Graph at 230V, 60Hz, 0.5HP Typical performance - Not guaranteed values





CD0001



REV. DESC: REVISE TO SHOW OPTIONAL COLORS			
REV. LTR: D	BY: JLP	REVISED: 04/08/99 1:16	TDR: 0178636
100000		FILE: AAA00007405	MDL: -
		MTL: -	

BALDOR ELECTRIC Co.

TYPE L, DV, REV, 6 LEADS

CD0001