

BALDOR® • RELIANCE 

Product Information Packet

VL1309A

1HP,3450RPM,1PH,60HZ,56C,3428L,OPEN,F1

Part Detail							
Revision:	AD	Status:	PRD/A	Change #:		Proprietary:	No
Type:	AC	Elec. Spec:	34WG3375	CD Diagram:	CD0052	Mfg Plant:	
Mech. Spec:	34F491	Layout:	34LYF491	Poles:	02	Created Date:	
Base:	N	Eff. Date:	04-22-2021	Leads:	4#16 A&J,2#18 B PH,1#14 #1TH		

Specs			
Catalog Number:	VL1309A	Heater Indicator:	No Heater
Enclosure:	OPEN	Insulation Class:	B
Frame:	56C	Inverter Code:	Not Inverter
Frame Material:	Steel	KVA Code:	L
Motor Letter Type:	Cap Start, Induction Run	Lifting Lugs:	No Lifting Lugs
Output @ Frequency:	1.000 HP @ 60 HZ	Locked Bearing Indicator:	Locked Bearing
Synchronous Speed @ Frequency:	3600 RPM @ 60 HZ	Motor Lead Quantity/Wire Size:	4 @ 16 AWG, A&J
Voltage @ Frequency:	230.0 V @ 60 HZ	Motor Lead Exit:	Terminal Panel Or Lead Hole
	208.0 V @ 60 HZ	Motor Lead Termination:	Flying Leads
	115.0 V @ 60 HZ	Motor Type:	3428L
XP Class and Group:	None	Mounting Arrangement:	F1
XP Division:	Not Applicable	Power Factor:	65
Agency Approvals:	CSA	Product Family:	General Purpose
	UR	Pulley End Bearing Type:	Ball
Auxillary Box:	No Auxillary Box	Pulley Face Code:	C-Face
Auxillary Box Lead Termination:	None	Pulley Shaft Indicator:	Standard
Base Indicator:	No Mounting	Rodent Screen:	None
Bearing Grease Type:	Polyrex EM (-20F +300F)	Shaft Extension Location:	Pulley End

Blower:	None	Shaft Ground Indicator:	No Shaft Grounding
Current @ Voltage:	8.800 A @ 208.0 V	Shaft Rotation:	Reversible: Connected OPP STD
	7.800 A @ 208.0 V	Shaft Slinger Indicator:	No Slinger
	7.000 A @ 230.0 V	Speed Code:	Single Speed
	14.000 A @ 115.0 V	Motor Standards:	NEMA
Design Code:	N	Starting Method:	Direct on line
Drip Cover:	Drip Cover	Thermal Device - Bearing:	None
Duty Rating:	CONT	Thermal Device - Winding:	None
Electrically Isolated Bearing:	Not Electrically Isolated	Vibration Sensor Indicator:	No Vibration Sensor
Feedback Device:	NO FEEDBACK	Winding Thermal 1:	Automatic Thermal Overload
Front Face Code:	Drip Cover Mounting	Winding Thermal 1 Location:	SB
Front Shaft Indicator:	None	Winding Thermal 2:	None

Nameplate NP1257L	
CAT.NO.	VL1309A
SPEC.	34F491-3375G1
HP	1
VOLTS	115/208-230
AMP	14/7.8-7
RPM	3450
FRAME	56C
HZ	60
PH	1
SER.F.	1.40
CODE	L
DES	N
CL	B
NEMA-NOM-EFF	65
PF	65
RATING	40C AMB-CONT
CC	USABLE AT 208V 8.8
DE	6203
ODE	6203
ENCL	OPEN
SN	
	SFA 16/8.8-8

Parts List		
Part Number	Description	Quantity
SA010472	SA 34F491-3375G1	1.000 EA
RA006832	RA 34F491-3375G1	1.000 EA
TPCRJ49CY	THERMAL 1PH 1.00 AUT 120C	1.000 EA
EC1645A06SP	ELEC CAP, 645-774 MFD, 125V, 2.06D X 4.	1.000 EA
11XW0832G06	#8-32 X 3/8, TAPTITE II, HEX WSHR SLTD	1.000 EA
WD4100A01	DP-875 HEYCO PLUG OR 62MP0875 MICRO PLAS	1.000 EA
51XW0832A07	8-32 X .44, TAPTITE II, HEX WSHR SLTD SE	3.000 EA
51XB1016A05	10-16X5/16HX WA SL SR TYB (F/S)	2.000 EA
HW5100A03	WAVY WASHER (W1543-017)	1.000 EA
34EP3401A01SP	PU ENDPLATE, MACH	1.000 EA
34AD2000	BAFFLE PLATE, STAMPED	1.000 EA
60XW0632A06	6-32 X 3/8 TORX HEAD SCREW TAPTITE II	4.000 EA
51XN1032A20	10-32 X 1 1/4 HX WS SL SR	2.000 EA
34FH4500A02P	DRIPCOVER, MODEL 34	1.000 EA
51XW0832A07	8-32 X .44, TAPTITE II, HEX WSHR SLTD SE	2.000 EA
34CB4501SP	TERMINAL BOX LID, STAMPED X (PLATED)	1.000 EA
51XW0832A07	8-32 X .44, TAPTITE II, HEX WSHR SLTD SE	2.000 EA
HW2501D13	KEY, 3/16 SQ X 1.375	1.000 EA
HA7000A04	KEY RETAINER 0.625 DIA SHAFTS	1.000 EA
34EP3202A03	FR ENDPLATE, MACH	1.000 EA
NS2500A01	INSULATOR, AUTO THER PROT	1.000 EA
MG1000G27	MED CHARCOAL METALLIC GREY 400-0096	0.014 GA
85XU0407S04	4X1/4 U DRIVE PIN STAINLESS	2.000 EA
33CB4800A02	CAPACITOR COVER, STAMPED	1.000 EA

Parts List (continued)		
Part Number	Description	Quantity
SP5086A01	34 TERM PANEL SWITCH W/E-BLK & 8-RED	1.000 EA
HA3100A20	THRUBOLT 10-32 X 9.812	4.000 EA
HA6015A02	THERMAL RETAINER (PLATED)	1.000 EA
MN416A01	TAG-INSTAL-MAINT no wire (2200bx) 4/22	1.000 EA
LB1118	LABEL,WARNING (ROLL LABEL)	1.000 EA
LC0052	CONNECTION LABEL	1.000 EA
NP1257L	ALUM UL CSA CC THERMAL REV MTG	1.000 EA
PK3083	STYROFOAM PACKING CRADLE	1.000 EA
35PA1066	PKG GRP, PRINT PK1008A06	1.000 EA
PK3088	MICROFOAM, 8"X"8 PERF. SHEETS	1.000 EA

AC Induction Motor Performance Data

Record # 50767

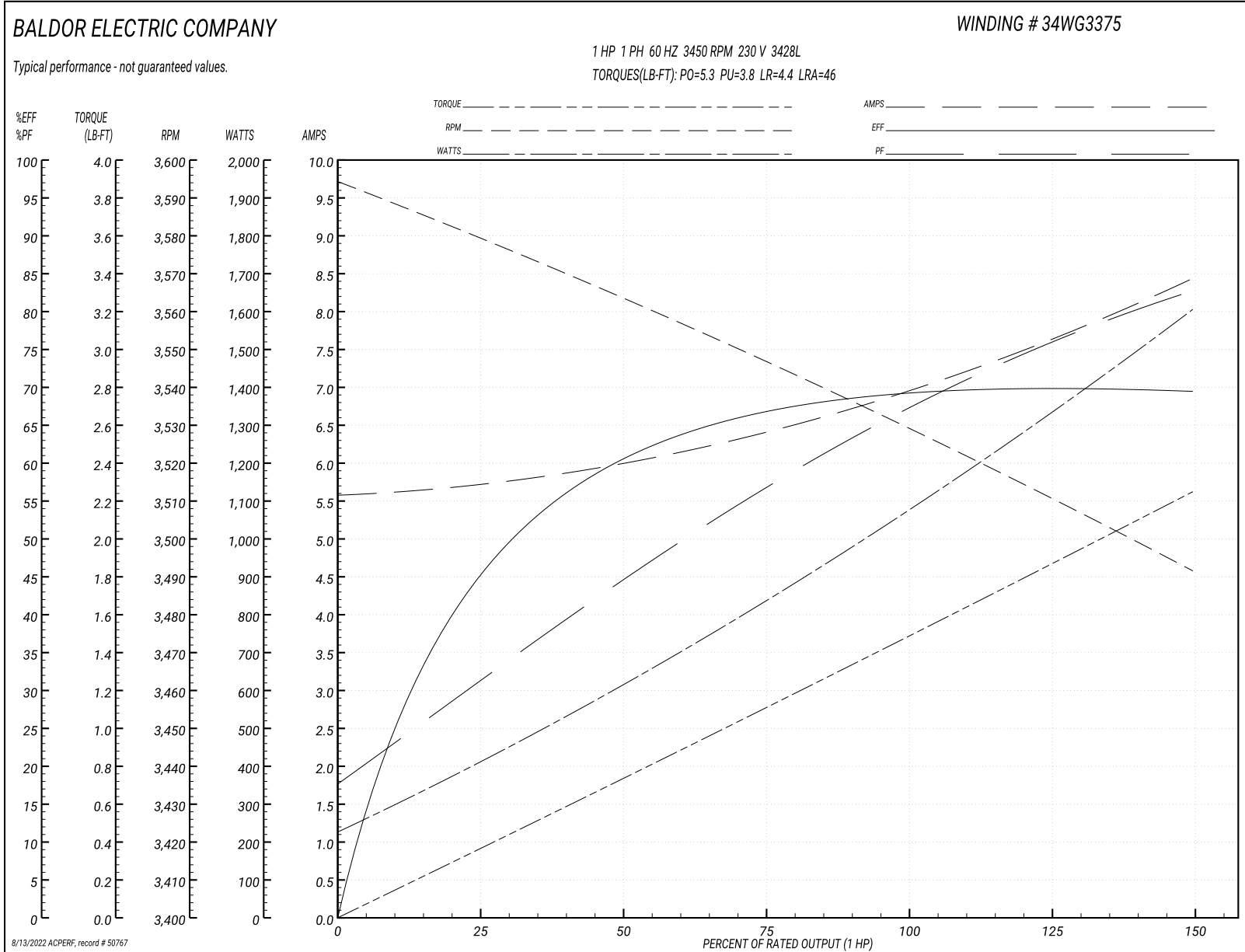
Typical performance - not guaranteed values

Winding: 34WG3375-R004		Type: 3428L		Enclosure: OPEN	
Nameplate Data			230 V, 60 Hz: High Voltage Connection		
Rated Output (HP)	1	Full Load Torque	1.5 LB-FT		
Volts	115/208-230	Start Configuration	direct on line		
Full Load Amps	14/7.8-7	Breakdown Torque	5.3 LB-FT		
R.P.M.	3450	Pull-up Torque	3.8 LB-FT		
Hz	60 Phase	1	Locked-rotor Torque	4.4 LB-FT	
NEMA Design Code	N	KVA Code	L	Starting Current	46 A
Service Factor (S.F.)	1.4		No-load Current	5.6 A	
NEMA Nom. Eff.	65	Power Factor	65	Line-line Res. @ 25°C	1.63 Ω A Ph 1.64 Ω B Ph
Rating - Duty	40C AMB-CONT		Temp. Rise @ Rated Load	37°C	
S.F. Amps	16/8.8-8		Temp. Rise @ S.F. Load	47°C	

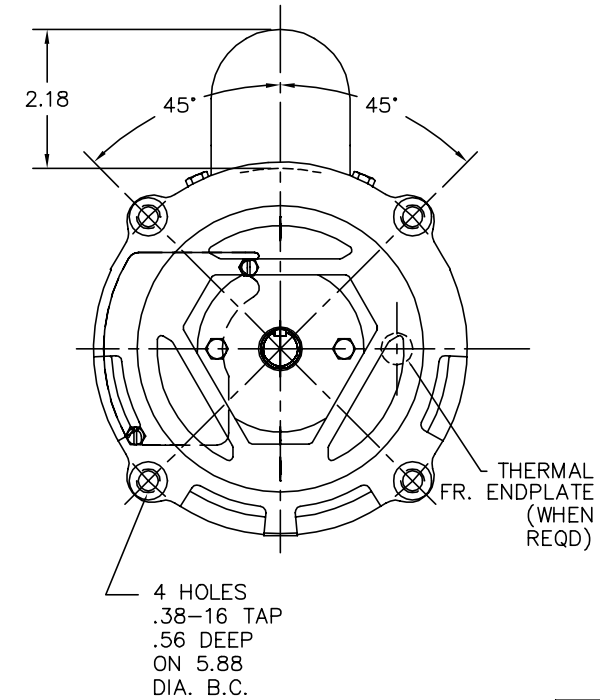
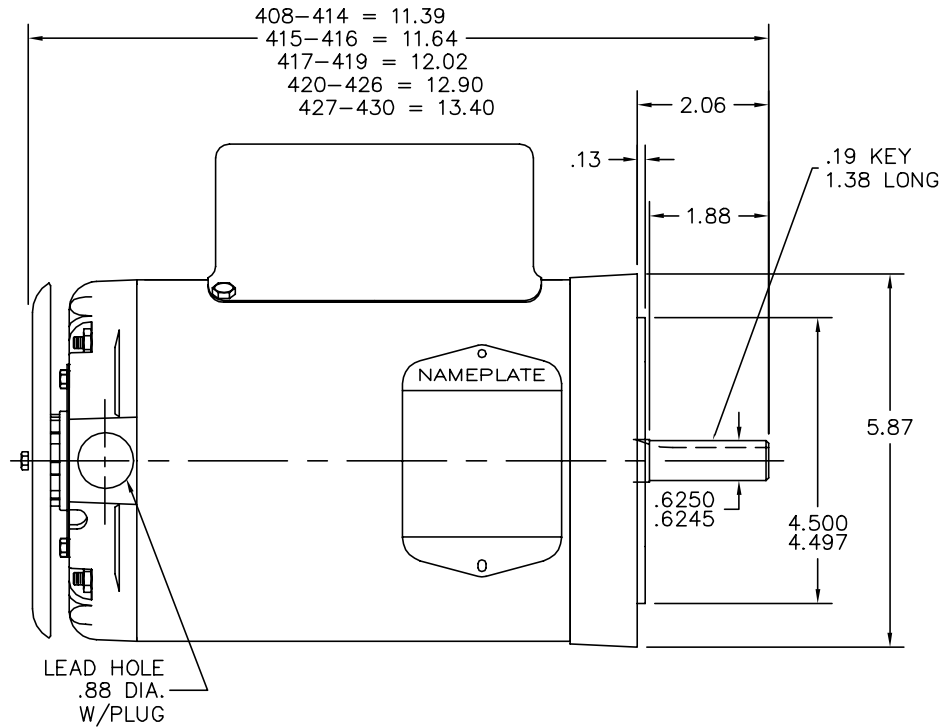
Load Characteristics 230 V, 60 Hz, 1 HP

% of Rated Load	25	50	75	100	125	150	S.F.
Power Factor	31	45	58	68	75	83	79
Efficiency	47.1	60.7	66.5	69.1	70.2	69.4	70.9
Speed	3578	3563	3546	3529	3511	3491	3500
Line amperes	5.7	6	6.4	7	7.7	8.4	8.1

Performance Graph at 230V, 60Hz, 1.0HP Typical performance - Not guaranteed values



34LYF491



CUSTOMER IS RESPONSIBLE FOR DETERMINING THAT BALDOR'S PRODUCT WILL PERFORM SUITABLY IN THE INTENDED APPLICATION.

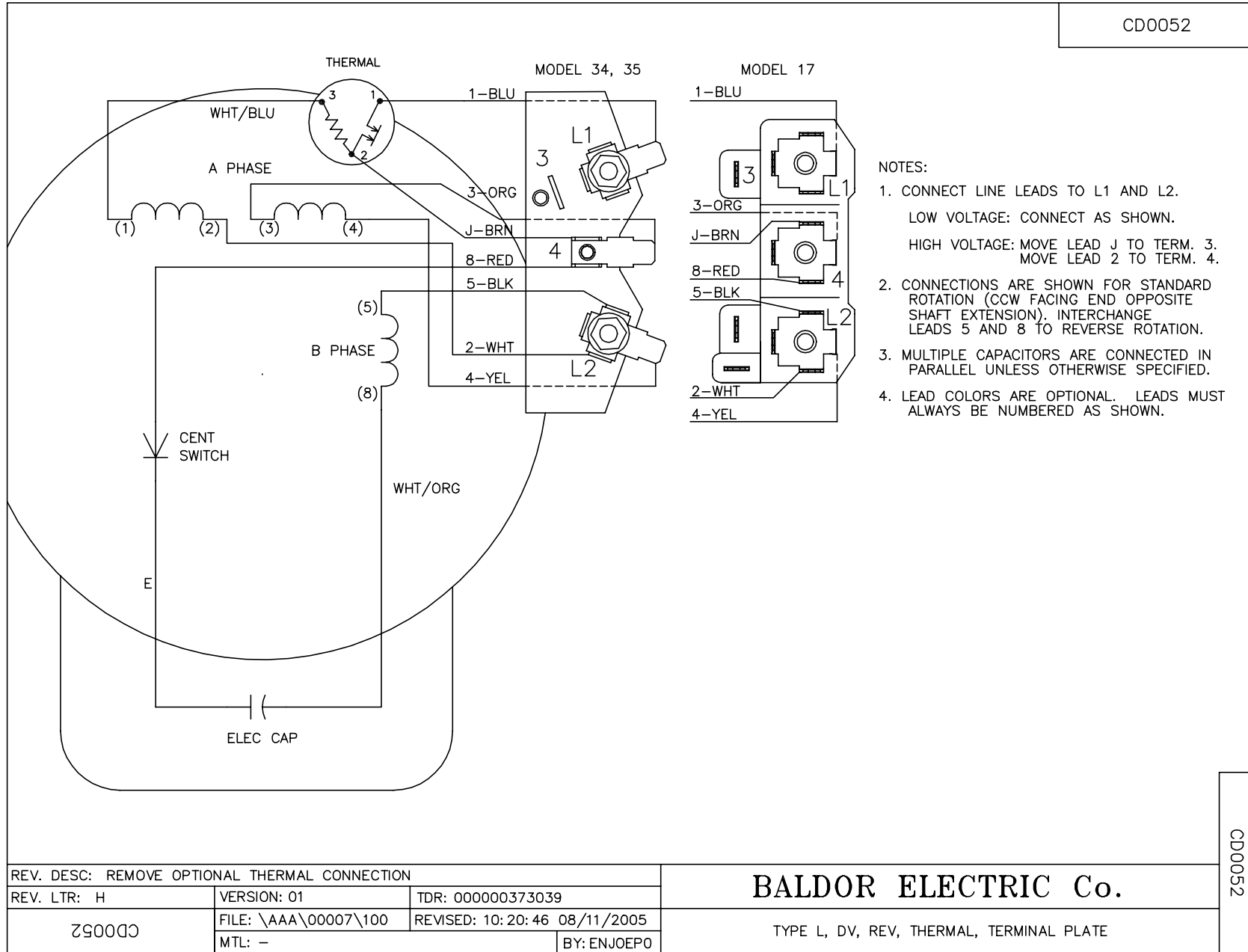
REV. DESC: UPDATE DESCRIPTION		
REV. LTR: A	VERSION: 01	TDR: 000000725714
FILE: \AAA\00049\953		REVISED: 12:44:33 12/15/2011
MTL: -		BY: ENVINWO

BALDOR

VERT 34L NEMA 56C OPEN W/DP COVER & TERM. PLATE, 3 PH ER
 SH 1 of 1

34LYF491

CD0052



CD0052

REV. DESC: REMOVE OPTIONAL THERMAL CONNECTION		
REV. LTR: H	VERSION: 01	TDR: 000000373039
Z90052	FILE: \AAA\00007\100	REVISED: 10:20:46 08/11/2005
	MTL: -	BY: ENJOEPO

BALDOR ELECTRIC Co.

TYPE L, DV, REV, THERMAL, TERMINAL PLATE