

BALDOR® • RELIANCE 

Product Information Packet

VL1408T

3HP,1725RPM,1PH,60HZ,184TC,3634LC,OPEN

Part Detail							
Revision:	AM	Status:	PRD/A	Change #:		Proprietary:	No
Type:	AC	Elec. Spec:	36WG2759	CD Diagram:	CD0016A01	Mfg Plant:	
Mech. Spec:	36E001	Layout:	36LYE001	Poles:	04	Created Date:	
Base:	N	Eff. Date:	03-27-2019	Leads:	4#14 A PH,3#16 B PH		

Specs			
Catalog Number:	VL1408T	Insulation Class:	F
Enclosure:	ODTF	Inverter Code:	Not Inverter
Frame:	184TC	KVA Code:	H
Frame Material:	Steel	Lifting Lugs:	No Lifting Lugs
Output @ Frequency:	3.000 HP @ 60 HZ	Locked Bearing Indicator:	Locked Bearing
Synchronous Speed @ Frequency:	1800 RPM @ 60 HZ	Motor Lead Quantity/Wire Size:	4 @ 14 AWG, A PH
Voltage @ Frequency:	230.0 V @ 60 HZ	Motor Lead Exit:	Ko Box
	115.0 V @ 60 HZ	Motor Lead Termination:	Flying Leads
XP Class and Group:	None	Motor Type:	3634LC
XP Division:	Not Applicable	Mounting Arrangement:	F1
Agency Approvals:	CSA	Power Factor:	78
	UR	Product Family:	General Purpose
Auxillary Box:	No Auxillary Box	Pulley End Bearing Type:	Ball
Auxillary Box Lead Termination:	None	Pulley Face Code:	C-Face
Base Indicator:	No Mounting	Pulley Shaft Indicator:	Standard
Bearing Grease Type:	Polyrex EM (-20F +300F)	Rodent Screen:	None
Blower:	None	Shaft Extension Location:	Pulley End
Current @ Voltage:	16.000 A @ 230.0 V	Shaft Ground Indicator:	No Shaft Grounding

	16.800 A @ 208.0 V	Shaft Rotation:	Reversible
	32.000 A @ 115.0 V	Shaft Slinger Indicator:	No Slinger
Design Code:	L	Speed Code:	Single Speed
Drip Cover:	Drip Cover	Motor Standards:	NEMA
Duty Rating:	CONT	Starting Method:	Direct on line
Electrically Isolated Bearing:	Not Electrically Isolated	Thermal Device - Bearing:	None
Feedback Device:	NO FEEDBACK	Thermal Device - Winding:	None
Front Face Code:	Drip Cover Mounting	Vibration Sensor Indicator:	No Vibration Sensor
Front Shaft Indicator:	None	Winding Thermal 1:	None
Heater Indicator:	No Heater	Winding Thermal 2:	None

Nameplate NP1256L										
CAT.NO.	VL1408T									
SPEC.	36E01-2759									
HP	3									
VOLTS	115/230									
AMP	32/16									
RPM	1725									
FRAME	184TC				HZ	60			PH	1
SER.F.	1.15		CODE	H	DES	L		CLASS	F	
NEMA-NOM-EFF	78		PF	78						
RATING	40C AMB-CONT									
CC								USABLE AT 208V	16.8	
DE	6206				ODE	6205				
ENCL	ODTF		SN							

Parts List		
Part Number	Description	Quantity
SA034415	SA 36E01-2759	1.000 EA
RA030443	RA 36E01-2759	1.000 EA
36CB3004	36 CB CASTING W/1.09 DIA LEAD HOLE @ 6:0	1.000 EA
51XB1016A08	10-16X 1/2HXWSSLD SERTYB	2.000 EA
11XW1032G06	10-32 X .38, TAPTITE II, HEX WSHR SLTD U	1.000 EA
HW3001B01	BRASS CUP WASHER, FOR #10 SCREW	1.000 EA
36EP3204F00	MASTER ODE,205 BRG,.998SH,GRSR,DRIP CVR	1.000 EA
HW4500A01	1641B(ALEMITE)400 UNIV, GREASE FITT	1.000 EA
SP1008A01	BAFFLE, MODEL 36 & 37	1.000 EA
13XF0832A08	8-32 X.50 PAN HD,SLTD, TYPE F SCREW, ZIN	2.000 EA
10XN2520A12	1/4-20 X 3/4 HEX HEAD CAP	2.000 EA
HW5100A05	WVY WSHR F/205 & 304 BRGS	1.000 EA
36PE3403A03	PUEP ASSEMBLY FOR ROUTING PURPOSES	1.000 EA
HW4500A01	1641B(ALEMITE)400 UNIV, GREASE FITT	1.000 EA
36AD2000	AIR BAFFLE	1.000 EA
60XW0632A06	6-32 X 3/8 TORX HEAD SCREW TAPTITE II	4.000 EA
10XN2520A28	1/4-20X 1 3/4 HEX HD	4.000 EA
HW1001A25	LOCKWASHER 1/4, ZINC PLT .493 OD, .255 I	4.000 EA
36FN3000A01SP	EXFN, PLASTIC, 7.00 OD, .912 ID	1.000 EA
51XB1214A16	12-14X1.00 HXWSSLD SERTYB	1.000 EA
36FH4012A01	DRIP COVER NOTCH BOTTOM, W/ PRIMER	1.000 EA
51XW1032A06	10-32 X .38, TAPTITE II, HEX WSHR SLTD S	3.000 EA
36CB4516	750LIPPED CB LID - GALVANNEAL	1.000 EA
51XW0832A07	8-32 X .44, TAPTITE II, HEX WSHR SLTD SE	4.000 EA

Parts List (continued)		
Part Number	Description	Quantity
HW2501E16	KEY, 1/4 SQ X 1.750	1.000 EA
HA7000A02	KEY RETAINER RING, 1 1/8 DIA, 1 3/8 DIA	1.000 EA
85XU0407S04	4X1/4 U DRIVE PIN STAINLESS	2.000 EA
MJ1000A02	GREASE, MOBIL POLYREX EM - 124047	0.050 LB
MG1000G27	MED CHARCOAL METALLIC GREY 400-0096	0.022 GA
HA3101A25	THRUBOLT 1/4-20 X 11.000 OHIO ROD	4.000 EA
36CB5010A01	CAPACITOR BOX KIT, 36CB3800, OC3020F12	1.000 EA
SP5172A38	37 TYPE LC TORQ STAT SWITCH LEAD ASSEMBL	1.000 EA
LB1119N	WARNING LABEL	1.000 EA
LC0016	CONNECTION LABEL	1.000 EA
NP1256L	ALUM UL CSA CC INDUSTRIAL MOTOR A60	1.000 EA
36PA1001	PKG GRP, PRINT PK1017A06	1.000 EA
PK3082	STYROFOAM CRADLE	1.000 EA
MN416A01	TAG-INSTAL-MAINT no wire (1200/bx) 3/19	1.000 EA
FE-0000001	ZRTG FE ASSEMBLY	1.000 EA

AC Induction Motor Performance Data

Record # 61439

Typical performance - not guaranteed values

Winding: 36WG2759-R007		Type: 3634LC		Enclosure: ODTF	
Nameplate Data			230 V, 60 Hz: High Voltage Connection		
Rated Output (HP)	3		Full Load Torque	9 LB-FT	
Volts	115/230		Start Configuration	direct on line	
Full Load Amps	32/16		Breakdown Torque	21 LB-FT	
R.P.M.	1725		Pull-up Torque	14.4 LB-FT	
Hz	60 Phase	1	Locked-rotor Torque	30.8 LB-FT	
NEMA Design Code	L KVA Code	H	Starting Current	107 A	
Service Factor (S.F.)	1.15		No-load Current	8.5 A	
NEMA Nom. Eff.	78 Power Factor	78	Line-line Res. @ 25°C	4.156 Ω A Ph 0.586 Ω B Ph	
Rating - Duty	40C AMB-CONT		Temp. Rise @ Rated Load	57°C	
S.F. Amps			Temp. Rise @ S.F. Load	72°C	

Load Characteristics 230 V, 60 Hz, 3 HP

% of Rated Load	25	50	75	100	125	150	S.F.
Power Factor	45	64	73	79	85	83	83
Efficiency	62.6	74.9	78.6	78	75	74.9	76.1
Speed	1788	1780	1769	1756	1733	1721	1742
Line amperes	9.1	10.4	15.8	16	19	23	17.8

Performance Graph at 230V, 60Hz, 3.0HP Typical performance - Not guaranteed values

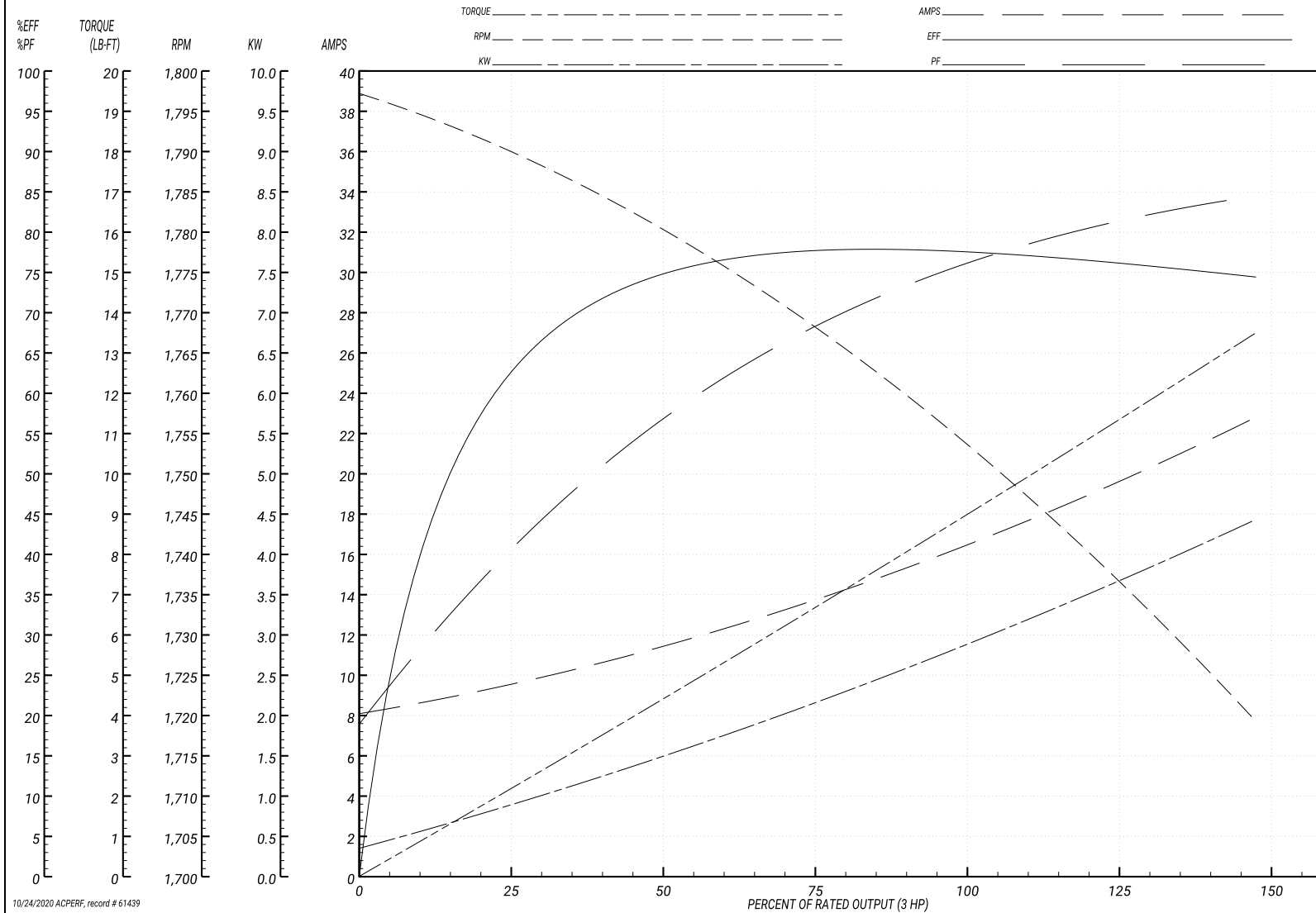
ABB Motors and Mechanical Inc.

WINDING # 36WG2759

Typical performance - not guaranteed values.

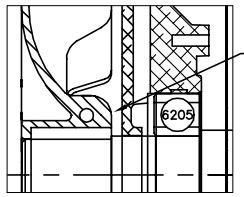
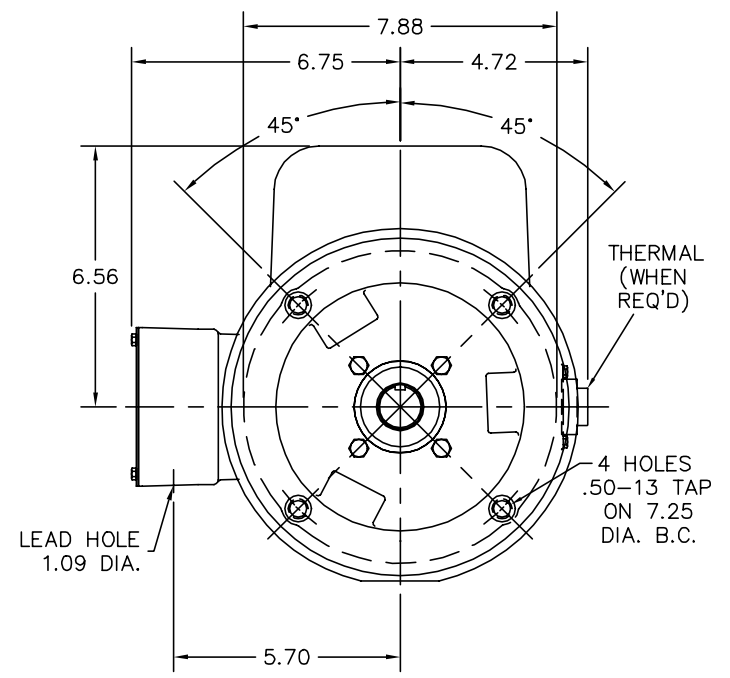
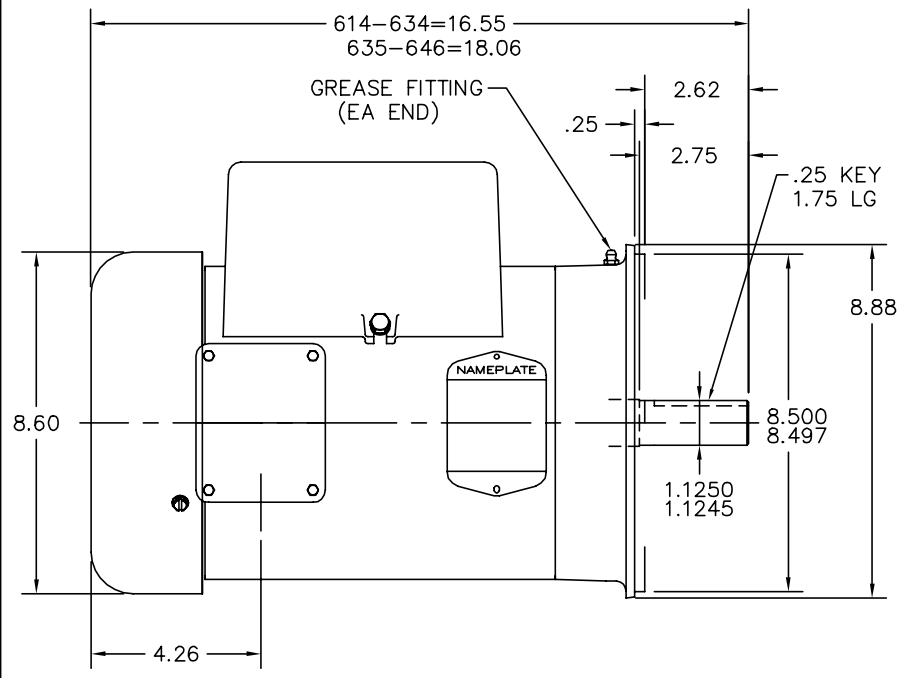
3 HP 1 PH 60 HZ 1725 RPM 230 V 3634LC

TORQUES(LB-FT): PO=21 PU=14.4 LR=30.8 LRA=107



10/24/2020 ACPERF, record # 61439

36LYE001



INSTALL EXTERNAL FAN WITH BLADES TOWARDS FRONT ENDPLATE

FRONT END DETAIL

CUSTOMER IS RESPONSIBLE FOR DETERMINING THAT BALDOR'S PRODUCT WILL PERFORM SUITABLY IN THE INTENDED APPLICATION.

REV. DESC: CHANGE FREP: WAS 36EP3200A03 NOW 36EP3204F00		
REV. LTR: H	VERSION: 03	TDR: 000001082399
FILE: \AAA\00003\865	REVISED: 10:59:17 04/01/2019	BY: FPJFQGO
MTL: -		

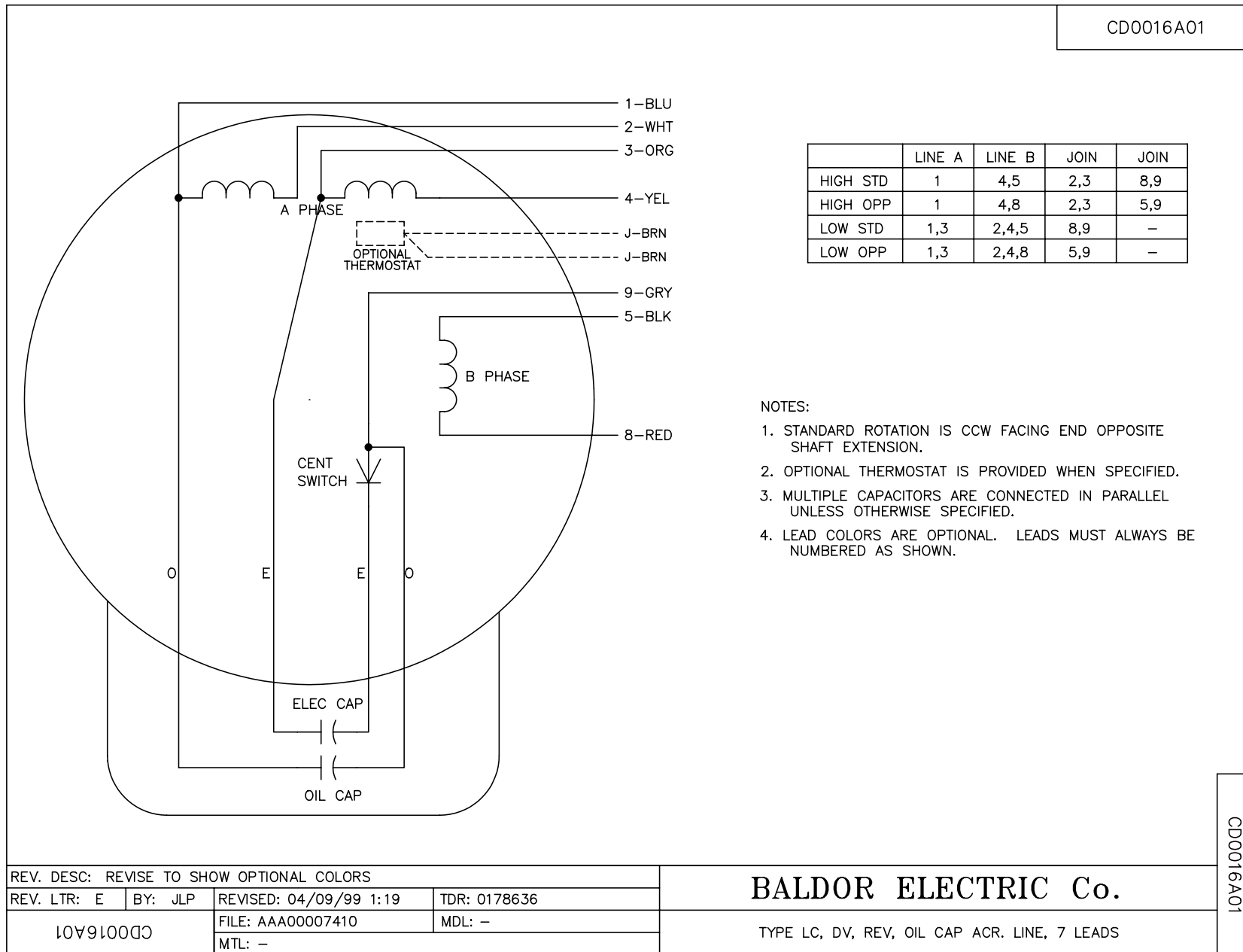
BALDOR - RELIANCE®

STD VERT 182-4TC ODTF 36LC

SH 1 of 1

36LYE001

CD0016A01



	LINE A	LINE B	JOIN	JOIN
HIGH STD	1	4,5	2,3	8,9
HIGH OPP	1	4,8	2,3	5,9
LOW STD	1,3	2,4,5	8,9	-
LOW OPP	1,3	2,4,8	5,9	-

NOTES:

1. STANDARD ROTATION IS CCW FACING END OPPOSITE SHAFT EXTENSION.
2. OPTIONAL THERMOSTAT IS PROVIDED WHEN SPECIFIED.
3. MULTIPLE CAPACITORS ARE CONNECTED IN PARALLEL UNLESS OTHERWISE SPECIFIED.
4. LEAD COLORS ARE OPTIONAL. LEADS MUST ALWAYS BE NUMBERED AS SHOWN.

REV. DESC: REVISE TO SHOW OPTIONAL COLORS			
REV. LTR: E	BY: JLP	REVISED: 04/09/99 1:19	TDR: 0178636
CD0016A01		FILE: AAA00007410	MDL: -
		MTL: -	

BALDOR ELECTRIC Co.

TYPE LC, DV, REV, OIL CAP ACR. LINE, 7 LEADS

CD0016A01