

BALDOR • RELIANCE

Customer information packet

VLECP84104T-4

60M 4P TEFC VER 286LP IEEE841 32-8 DRIP

Class - CLI GP A,B,C,D

Division - Division II

Copyright © All product information within this document is subject to ABB Motors and Mechanical Inc. copyright © protection, unless otherwise noted.

1/29/2023 11:00:28 AM

Specifications

Enclosure	TEFC
Frame	286LP
Frame Material	Iron
Frequency	60.00 Hz
Motor Letter Type	Three Phase
Output @ Frequency	30.000 HP @ 60 HZ
Phase	3
Synchronous Speed @ Frequency	1800 RPM @ 60 HZ
Voltage @ Frequency	460.0 V @ 60 HZ
XP Class and Group	CLI GP A,B,C,D
XP Division	Division II
Agency Approvals	CCSA US CSA EEV UR
Ambient Temperature	40 °C
Auxillary Box	No Auxillary Box
Auxillary Box Lead Termination	None
Base Indicator	No Mounting
Bearing Grease Type	Polyrex EM (-20F +300F)
Blower	None
Constant Torque Speed Range	1
Current @ Voltage	36.000 A @ 460.0 V
Design Code	B
Drip Cover	Drip Cover
Duty Rating	CONT
Efficiency @ 100% Load	93.6 %
Electrically Isolated Bearing	Not Electrically Isolated
Enclosure Modification	841
Feedback Device	NO FEEDBACK
Front Shaft Indicator	Standard
Heater Indicator	No Heater
High Voltage Full Load Amps	36.0 a

Part detail

Revision	F
Type	AC
Mech. spec.	10K389
Base	
Status	PRD/A
Elec. spec.	10WGZ438
Layout	10LYK389
Eff. date	01-03-2023
CD Diagram	CD0006
Poles	04
Leads	3#10
Proprietary	False
Created date	03-25-2019

Insulation Class	F
Inverter Code	Inverter Duty
IP Rating	IP56
KVA Code	G
Lifting Lugs	Vertical Lifting Lugs
Locked Bearing Indicator	Locked Bearing
Max Speed	2700 rpm
Motor Lead Quantity/Wire Size	3 @ 10 AWG
Motor Lead Termination	Ring Terminals
Motor Standards	NEMA
Motor Type	1060M
Mounting Arrangement	V1
Number of Poles	4
Overall Length	36.31 IN
Power Factor	84
Product Family	Chem Process S/P 32-8 IEEE 841
Pulley End Bearing Type	Ball
Pulley Face Code	P-Base
Pulley Shaft Indicator	P-Base Groove & Key
Rodent Screen	None
RoHS Status	ROHS NON-COMPLIANT
Service Factor	1.15
Shaft Diameter	2.125 IN
Shaft Ground Indicator	No Shaft Grounding
Shaft Rotation	Reversible
Shaft Slinger Indicator	No Slinger
Speed	1770 rpm
Speed Code	Single Speed
Starting Method	Direct on line
Thermal Device - Bearing	None
Thermal Device - Winding	None
Vibration Sensor Indicator	No Vibration Sensor
Winding Thermal 1	None
Winding Thermal 2	None

XP Temp Code

T3C

Nameplate

NP4332

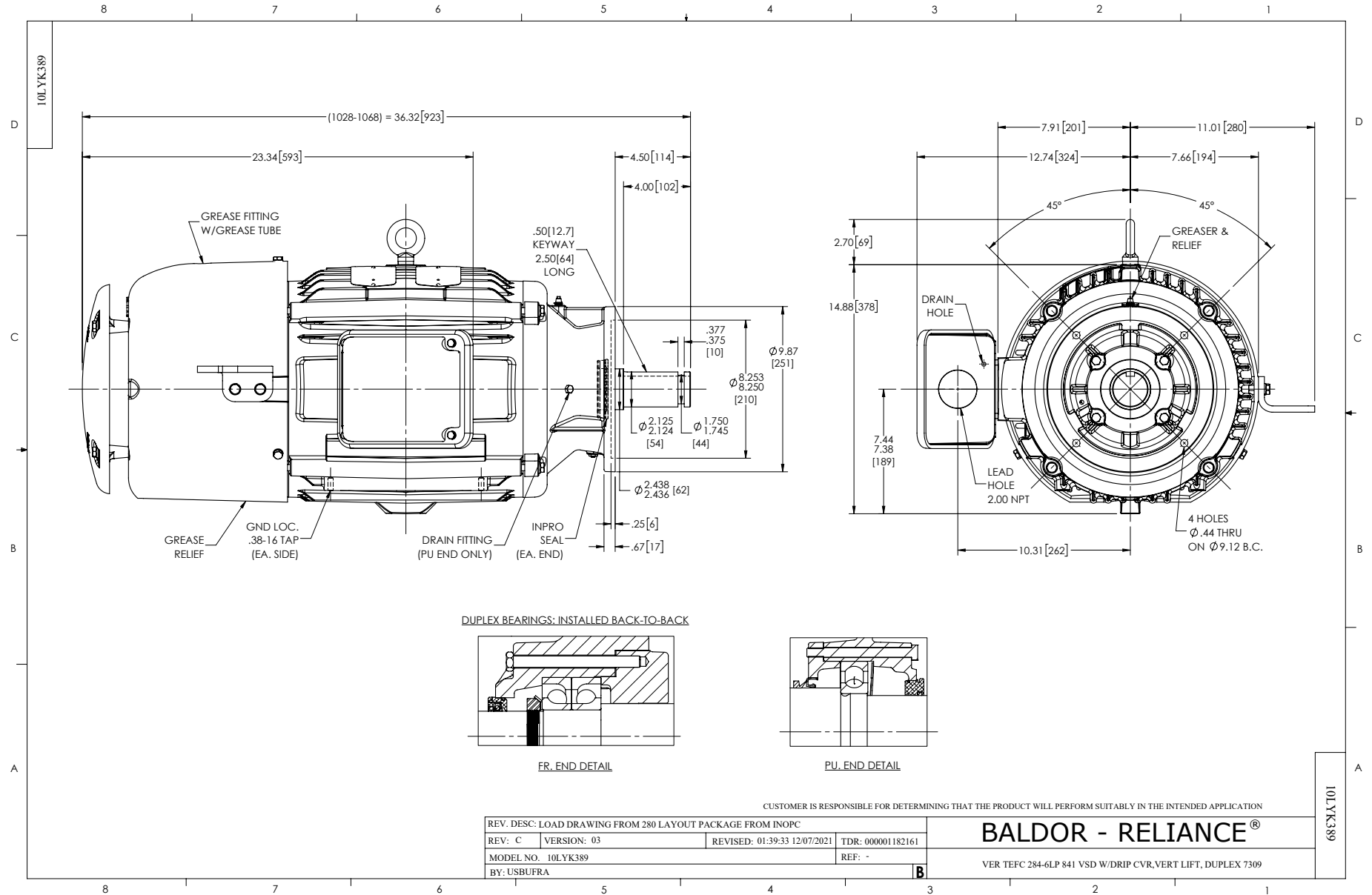
STK.NO.	VLECP84104T-4	P/N		ENCLOSURE	TEFC
SPEC.	10K389Z438G1	CC	010A	FRAME	286LP
HP	30	CLASS	F	HZ	60
RPM	1770	RPM MAX	2700	ODE BRG	7309
VOLT	460	PH	3	DE BRG	6213
AMP	35.6	DES	B	D.E. BRG.	65BC02X30X
RATING	40C AMB-CONT	PH	3	O.D.E. BRG.	45BT03X30X
NEMA-NOM-EFF	93.6	KVA-CODE	G	MOTOR WEIGHT	619
G.MIN.EFF	92.4	MAX. KVAR	7.7	GREASE	POLYREX EM
TEMP CODE	T3	SER.F.	1.15	BLANK	
TEMP =	200	IP	56	INV.TYPE	PWM
CT HZ FROM	30	# OF ROTOR BARS	40	# OF STATOR SLOTS	48
HTR-VOLTS		PF	84	C HP FR	60
HTR-AMPS		INVERTER-TEMP-CODE	200	C HP TO	90
HTR-WATTS		CT HZ TO	60	MAX. SPACE HEATER TEMP.	
VT HZ FROM	30	VT HZ TO	60		

Parts list

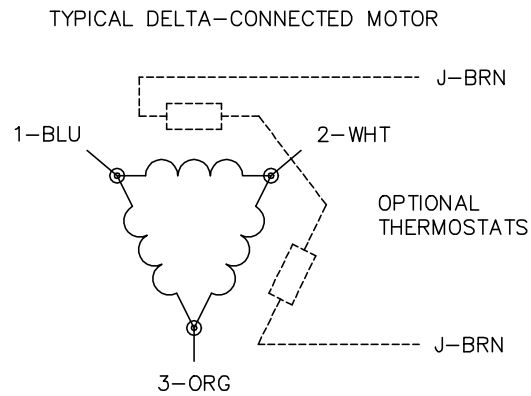
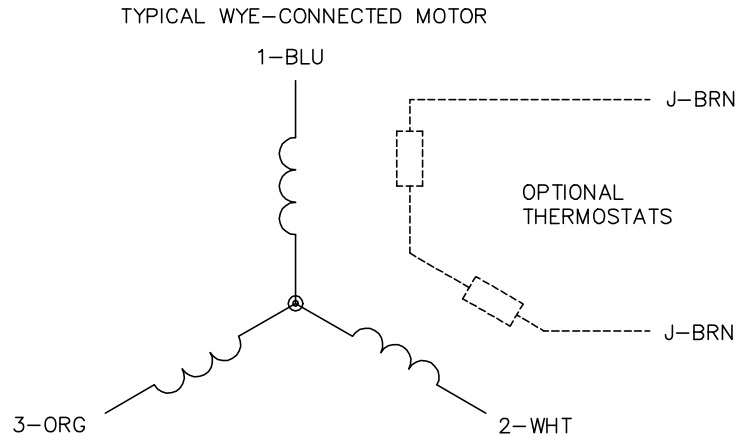
Part number	Description	Quantity
SA367636	SA 10K389Z438G1	1.000 ea
RA357109	RA 10K389Z438G1	1.000 ea
WD1000B19	TERMINAL BURNDY L250HP	1.000 ea
10XN3816K08	3/8-16 X .50 HEX HD CAP SCREW GRADE 5	1.000 ea
HW1001A38	LOCKWASHER 3/8, ZINC PLT .688 OD, .382 I	1.000 ea
HA6387P	EYE BRACKET PRIMED	2.000 ea
10CB1000A25P	KO BOX, MACH 2.00 NPT W/.25 DRAIN HOLE	1.000 ea
09GS1010	GASKET, DWG, LEADWIRE SEPERATOR	1.000 ea
10XN3118K16	5/16-18 X 1' GRADE #5, STL, ZINC PLATE	4.000 ea
HW1001A31	LOCKWASHER 5/16, ZINC PLT.591 OD, .319 I	4.000 ea
WD1000B16	T&B CX70TN OR L70P TERMINAL LUG	1.000 ea
10XN2520K06	1/4-20 X 3/8" HX HD SCREWGRADE 5, ZINC P	1.000 ea
HW1001A25	LOCKWASHER 1/4, ZINC PLT .493 OD, .255 I	1.000 ea
HA4017A01	1/8 X 4 GREASE EXT (F/S)	1.000 ea
10XN3816K28	3/8-16 X 1.75 HEX HD CAP SCREW, GRADE 5	4.000 ea
HW1001A38	LOCKWASHER 3/8, ZINC PLT .688 OD, .382 I	4.000 ea
HW4601B09	INPRO SEAL #1698-A-17120-15,VBXX 309 BRG	1.000 ea
10XN3816K68	3/8-16 X 4.25 HEX HEAD CAP SCREW, GRADE	3.000 ea
10EP1503A34P	SPL PUEP 284-6TP 5213 BRG & SEAL W/EPOXY	1.000 ea
10XN3816K28	3/8-16 X 1.75 HEX HD CAP SCREW, GRADE 5	4.000 ea
HW1001A38	LOCKWASHER 3/8, ZINC PLT .688 OD, .382 I	4.000 ea
HW4601B10	INPRO/SEAL #1698-A-M0025-15 VBXX 313 BRG	1.000 ea
HW5100A13	W4627-047 WVY WSHER	1.000 ea
10XN3118K56	5/16-18 X 3.50" HEX HD, GRADE 5	4.000 ea
10XN3118K14	5/16-18 X .88 HEX MACH SCREW, GRADE 5	3.000 ea
HW1001A31	LOCKWASHER 5/16, ZINC PLT.591 OD, .319 I	3.000 ea
12FH1500A01P	MACH DRIP COVER 310-312 MTRS	1.000 ea
10XN3816K40	3/8-16 X 2.50 HEX HD CAP SCREW, GRADE 5	4.000 ea
HW1000A38	WASHER, 3/8" FLAT, SAE Z/P	4.000 ea
HW1001A38	LOCKWASHER 3/8, ZINC PLT .688 OD, .382 I	4.000 ea
10XN3816K16	3/8-16 X 1 HEX HD CAP GRADE 5	4.000 ea

HW1001A38	LOCKWASHER 3/8, ZINC PLT .688 OD, .382 I	4.000 ea
XY3816A12	3/8-16 FINISHED NUT	4.000 ea
10CB1503A01P	CONDUIT BOX LIPPED LID, MACH W/EPXY PRMR	1.000 ea
14GS1003	GASKET CONDUIT BOX LID, NEOP	1.000 ea
10XN2520K16	1/4-20 X 1" HX HD SCRW GRADE 5, ZINC P	4.000 ea
HW1001A25	LOCKWASHER 1/4, ZINC PLT .493 OD, .255 I	4.000 ea
MJ5004A59	ADHESIVE LOCTITE #401 SURFACE INSENSITIV	0.010 ea
HW2501H22	KEY, 1/2 SQ X 2.500	1.000 ea
MJ5001A14	DYNAPRO SEALANT, CP MTR VC#2508050 (603	0.026 ea
MJ5002A01	SILICON RUBBER SEALANT, 732CL 10.3 OZ TU	0.025 ea
LB1115N	LABEL,LIFTING DEVICE (ON ROLLS)	1.000 ea
LB1182	WARNING LABEL FOR MOTORS WITH EYENUTS	2.000 ea
PK6014	STEEL STRAP FOR 309-312 BASELESS MOTORS	4.000 ea
10XN3816K10	BOLT, 3/8-16 X 5/8 HHCS YZ	4.000 ea
WD1000B49	T&B C73,RING TERMINAL 10-12 AWG 3/8 STUD	3.000 ea
10EP1715A02LP5	FREP, MACH W/PRIMER & MG1025L14	1.000 ea
HW4500A21	1618BALEMITE FITTING 825 UNIVERSAL	1.000 ea
HW4500A17	317400 ALEMITE GREASE RELIEF	1.000 ea
HA4051A00	PLASTIC CAP FOR GREASE FITTING	1.000 ea
MJ5001A27	32220KN GRAY SEALER *MIN BUY 4 QTS=1GAL	0.031 qt
MJ1000A02	GREASE, POLYREX EM EXXON	0.130 lb
HW4500A03	GREASE FITTING, .125 NPT 1610(ALEMITE) 8	1.000 ea
HW4500A17	317400 ALEMITE GREASE RELIEF	1.000 ea
HA4002A03	#304 S.S. DRAIN FITTING, .125 NPT (.44 H	1.000 ea
HA4051A00	PLASTIC CAP FOR GREASE FITTING	1.000 ea
09FN3001D01SP	EXTERNAL FAN, PLASTIC (COMES W/SCREW FRO	1.000 ea
HW2500A25	WOODRUFF KEY USA #1008 #BLOW CARBON STEE	1.000 ea
10FH1009A01LP5	FAN COVER, CAST W/PRIMER	1.000 ea
MG1025N19	WILKOFAS, 778.50, RELIANCE BLUE-GREEN 8	0.070 ga
85XU0407S04	4X1/4 U DRIVE PIN STAINLESS	4.000 ea
LB1449	DIV-2/NEC WARNING LABEL	1.000 ea
LB1119N	WARNING LABEL	1.000 ea
LC0006	CONNECTION LABEL	1.000 ea
NP4332	SS IEEE841-2021 INV DIV-2 UL CSA-C US EE	1.000 ea

12PA1104	PKGP CRATE 312 48 X 30-1/2 X 22-1/2	1.000 ea
MN416A01	TAG-INSTAL-MAINT no wire (2100bx)4/22	1.000 ea



CD0006



NOTES:

1. THREE LEAD MOTOR MAY BE EITHER WYE CONNECTED OR DELTA CONNECTED.
2. INTERCHANGE ANY TWO LINE LEADS TO REVERSE ROTATION.
3. OPTIONAL THERMOSTATS ARE PROVIDED WHEN SPECIFIED.
4. ACTUAL NUMBER OF INTERNAL PARALLEL CIRCUITS MAY VARY.
5. LEAD COLORS ARE OPTIONAL. LEADS MUST BE NUMBERED AS SHOWN.

CD0006

REV. DESC: ADD CLASS CONN00000007		
REV. LTR: E	VERSION: 01	TDR: 000001099922
FILE: \AAA\00005\141	REVISED: 10:24:49 02/19/2019	BY: ENBRIRO
MTL: -	© □	

BALDOR - RELIANCE®

3PH, SV, 3 LEADS, WYE OR DELTA CONNECTED

SH 1 of 1