

BALDOR® • RELIANCE 

Product Information Packet

VM3104

.33HP,1725RPM,3PH,60HZ,56C,3413M,OPEN,F1

Part Detail							
Revision:	U	Status:	INA/A	Change #:		Proprietary:	No
Type:	AC	Elec. Spec:	34WG0884	CD Diagram:	CD0005	Mfg Plant:	
Mech. Spec:	34F012	Layout:	34LYF012	Poles:	04	Created Date:	
Base:	N	Eff. Date:	01-21-2015	Leads:	9#18		

Specs			
Catalog Number:	VM3104	Heater Indicator:	No Heater
Enclosure:	ODP	Insulation Class:	B
Frame:	56C	Inverter Code:	Not Inverter
Frame Material:	Steel	KVA Code:	M
Motor Letter Type:	Three Phase	Lifting Lugs:	No Lifting Lugs
Output @ Frequency:	.330 HP @ 60 HZ	Locked Bearing Indicator:	Locked Bearing
Synchronous Speed @ Frequency:	1800 RPM @ 60 HZ	Motor Lead Quantity/Wire Size:	9 @ 18 AWG
Voltage @ Frequency:	460.0 V @ 60 HZ	Motor Lead Exit:	Ko Box
	230.0 V @ 60 HZ	Motor Lead Termination:	Flying Leads
XP Division:	Not Applicable	Motor Type:	3413M
Agency Approvals:	UR	Mounting Arrangement:	F1
	CSA	Power Factor:	57
Auxillary Box:	No Auxillary Box	Product Family:	General Purpose
Auxillary Box Lead Termination:	None	Pulley End Bearing Type:	Ball
Base Indicator:	No Mounting	Pulley Face Code:	C-Face
Bearing Grease Type:	Polyrex EM (-20F +300F)	Pulley Shaft Indicator:	Standard
Blower:	None	Rodent Screen:	None
Current @ Voltage:	.800 A @ 460.0 V	RoHS Status:	ROHS COMPLIANT

	1.600 A @ 230.0 V	Shaft Extension Location:	Pulley End
	1.900 A @ 208.0 V	Shaft Ground Indicator:	No Shaft Grounding
Design Code:	B	Shaft Rotation:	Reversible
Drip Cover:	Drip Cover	Shaft Slinger Indicator:	No Slinger
Duty Rating:	CONT	Speed Code:	Single Speed
Electrically Isolated Bearing:	Not Electrically Isolated	Motor Standards:	NEMA
Feedback Device:	NO FEEDBACK	Starting Method:	Direct on line
Front Face Code:	Drip Cover Mounting	Thermal Device - Bearing:	None
Front Shaft Indicator:	None	Thermal Device - Winding:	None
		Vibration Sensor Indicator:	No Vibration Sensor

Nameplate NP1256L										
CAT.NO.	VM3104									
SPEC.	34F12-884									
HP	.33									
VOLTS	230/460									
AMP	1.6/.8									
RPM	1725									
FRAME	56C				HZ	60			PH	3
SER.F.	1.35		CODE	M	DES	B		CLASS	B	
NEMA-NOM-EFF	68		PF	57						
RATING	40C AMB-CONT									
CC									USABLE AT 208V	1.9
DE	6203				ODE	6203				
ENCL	OPEN		SN							
	SFA 1.8/.9									

Parts List		
Part Number	Description	Quantity
SA009993	SA 34F12-884	1.000 EA
RA006438	RA 34F12-884	1.000 EA
NS2512A01	INSULATOR, CONDUIT BOX X	1.000 EA
34CB3002A	CB CAST W/.88 DIA HOLE	1.000 EA
51XB1016A07	10-16 X 7/16 HXWSSLD SERTYB	2.000 EA
11XW1032G06	10-32 X .38, TAPTITE II, HEX WSHR SLTD U	1.000 EA
34EP3210A03SP	FR ENDPLATE, MACH	1.000 EA
HW5100A03	WAVY WASHER (W1543-017)	1.000 EA
34EP3401A01SP	PU ENDPLATE, MACH	1.000 EA
34AD2000	BAFFLE PLATE, STAMPED	1.000 EA
51XT0632A06	6-32X3/8 TY23 HXWS SLDSR	4.000 EA
51XN1032A20	10-32 X 1 1/4 HX WS SL SR	2.000 EA
34FH4000A11	DRIP COVER, STAMPED,PRIMER	1.000 EA
51XW1032A06	10-32 X .38, TAPTITE II, HEX WSHR SLTD S	3.000 EA
34CB4517	CB LID 4 MTG HOLES .22 DIA STAMPED, FOR	1.000 EA
51XW0832A07	8-32 X .44, TAPTITE II, HEX WSHR SLTD SE	4.000 EA
HW2501D13	KEY, 3/16 SQ X 1.375	1.000 EA
HA7000A04	KEY RETAINER 0.625 DIA SHAFTS	1.000 EA
MG1000G27	MED CHARCOAL METALLIC GREY 400-0096	0.014 GA
10XF0440S02	04-40 X 1/8 TYPE F HEX HD STAINLESS STIC	2.000 EA
HA3100A12	THRUBOLT 10-32 X 7.375	4.000 EA
LB1125C01	STD (STOCK) CARTON LABEL BALDOR WITH FLA	1.000 EA
LC0005E01	CONN.DIA./WARNING LABEL (LC0005/LB1119N)	1.000 EA
NP1256L	ALUM UL CSA CC INDUSTRIAL MOTOR A60	1.000 EA

Parts List (continued)		
Part Number	Description	Quantity
35PA1066	PKG GRP, PRINT PK1001A01	1.000 EA
PK3083T	STYROFOAM PACKING CRADLE W/TAPE	1.000 EA

AC Induction Motor Performance Data

Record # 6610

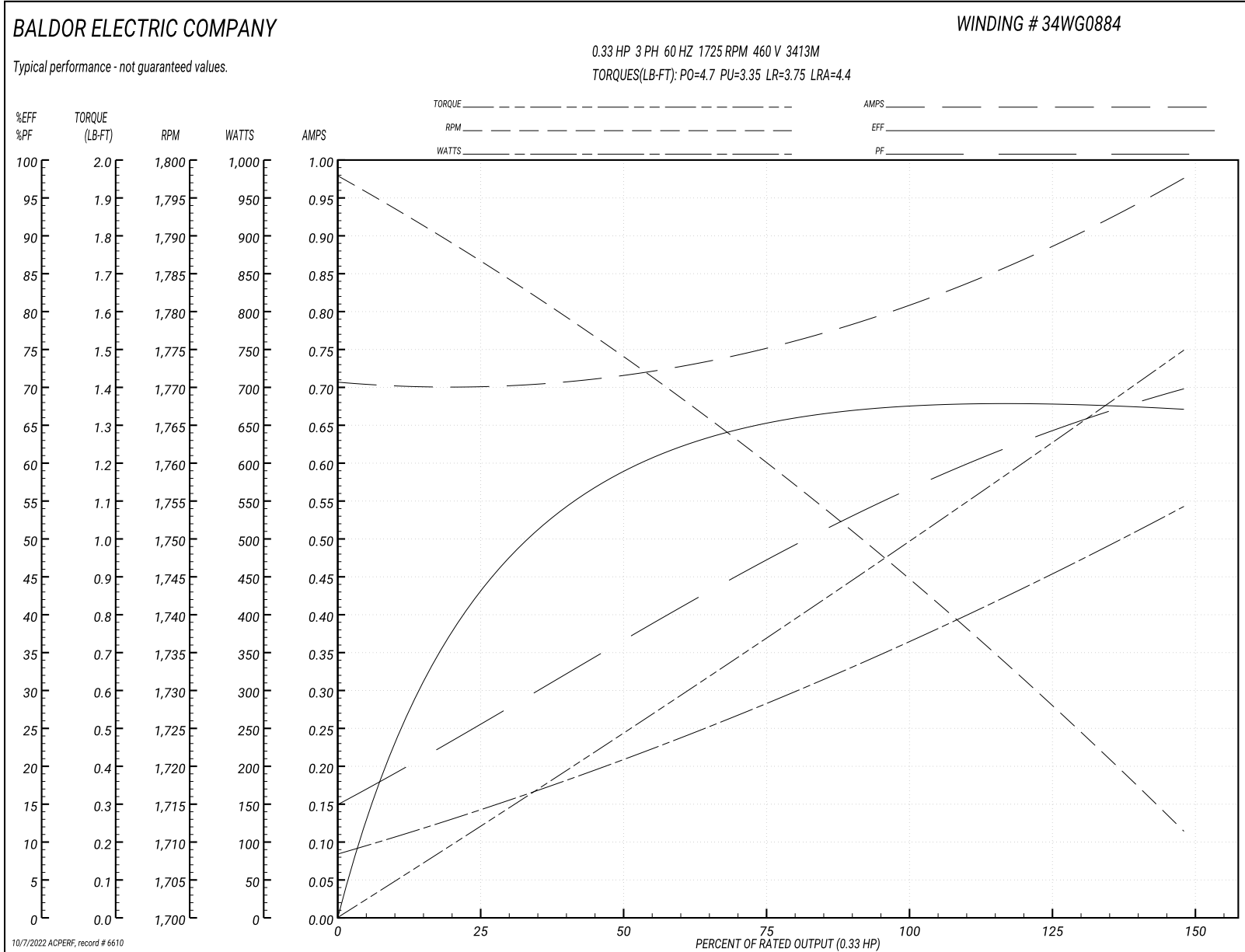
Typical performance - not guaranteed values

Winding: 34WG0884-R001		Type: 3413M		Enclosure: TEFC	
Nameplate Data			460 V, 60 Hz: High Voltage Connection		
Rated Output (HP)	.33		Full Load Torque	1 LB-FT	
Volts	230/460		Start Configuration	direct on line	
Full Load Amps	1.6/.8		Breakdown Torque	4.7 LB-FT	
R.P.M.	1725		Pull-up Torque	3.35 LB-FT	
Hz	60 Phase	3	Locked-rotor Torque	3.75 LB-FT	
NEMA Design Code	B KVA Code	M	Starting Current	4.4 A	
Service Factor (S.F.)	1.35		No-load Current	0.7 A	
NEMA Nom. Eff.	68 Power Factor	57	Line-line Res. @ 25°C	49.1 Ω	
Rating - Duty	40C AMB-CONT		Temp. Rise @ Rated Load	47°C	
S.F. Amps	1.8/.9		Temp. Rise @ S.F. Load	61°C	

Load Characteristics 460 V, 60 Hz, 0.33 HP

% of Rated Load	25	50	75	100	125	150	S.F.
Power Factor	28	40	50	57	64	69	66
Efficiency	44	59	65	68	68	67	68
Speed	1788	1770	1760	1745	1730	1710	1725
Line amperes	0.7	0.73	0.77	0.8	0.85	1	0.9

Performance Graph at 460V, 60Hz, 0.33HP Typical performance - Not guaranteed values



AC Induction Motor Performance Data

Record # 63606

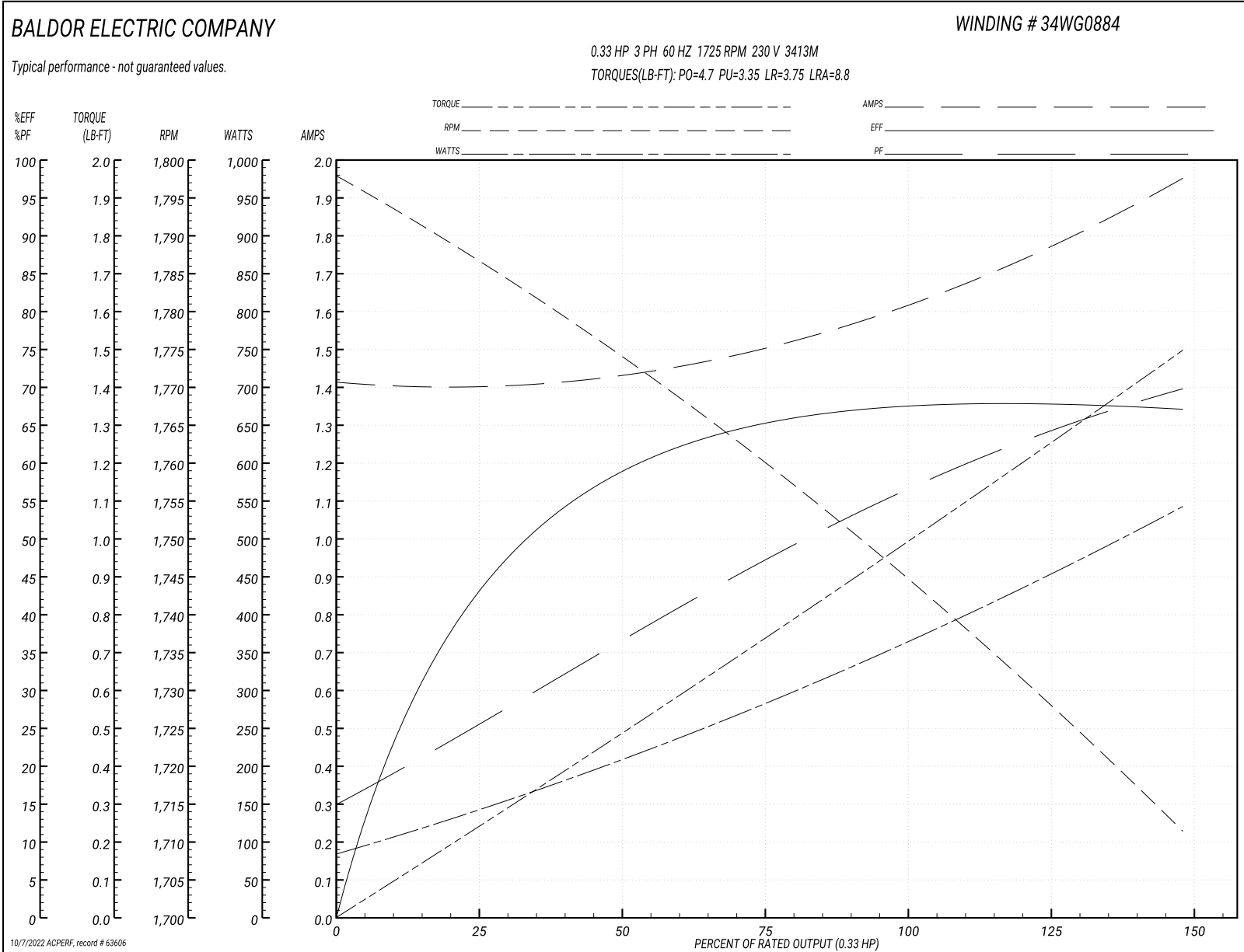
Typical performance - not guaranteed values

Winding: 34WG0884-R001			Type: 3413M			Enclosure: TEFC		
Nameplate Data				230 V, 60 Hz: Low Voltage Connection				
Rated Output (HP)	.33		Full Load Torque	1 LB-FT				
Volts	230/460		Start Configuration	direct on line				
Full Load Amps	1.6/.8		Breakdown Torque	4.7 LB-FT				
R.P.M.	1725		Pull-up Torque	3.35 LB-FT				
Hz	60 Phase	3	Locked-rotor Torque	3.75 LB-FT				
NEMA Design Code	B	KVA Code	M	Starting Current	8.8 A			
Service Factor (S.F.)	1.35		No-load Current	1.4 A				
NEMA Nom. Eff.	68	Power Factor	57	Line-line Res. @ 25°C	12.2 Ω			
Rating - Duty	40C AMB-CONT		Temp. Rise @ Rated Load	47°C				
S.F. Amps	1.8/.9		Temp. Rise @ S.F. Load	55°C				
			Locked-rotor Power Factor	69.4				
			Rotor inertia	0.031 LB-FT ²				

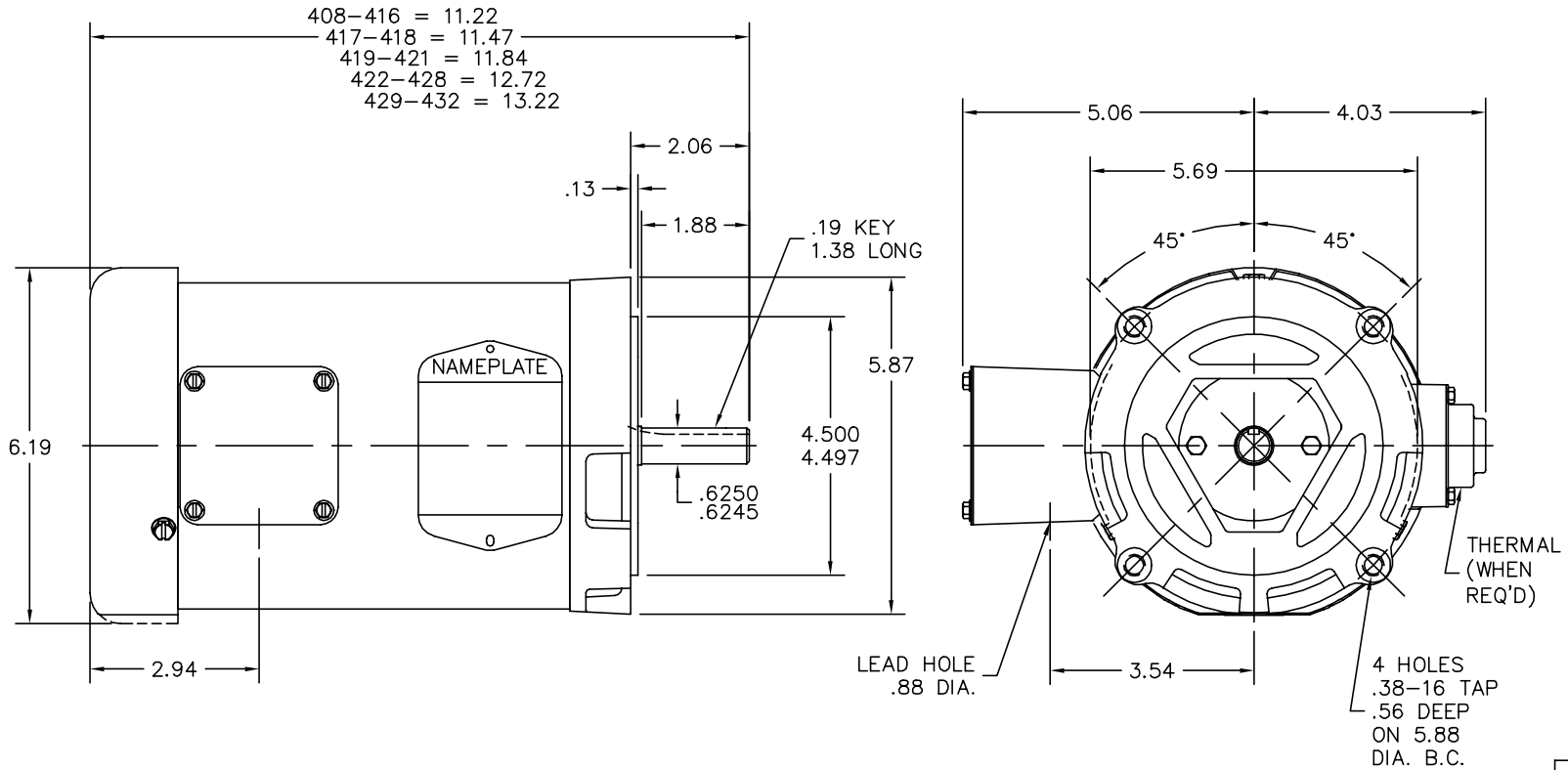
Load Characteristics 230 V, 60 Hz, 0.33 HP

% of Rated Load	25	50	75	100	125	150	S.F.
Power Factor	26	37	47	57	67	68	67
Efficiency	44.1	59	65.1	67.9	67.9	66.9	67.5
Speed	1788	1770	1760	1745	1730	1710	1722
Line amperes	1.4	1.46	1.54	1.6	1.7	2	1.82

Performance Graph at 230V, 60Hz, 0.33HP Typical performance - Not guaranteed values



34LYF012



CUSTOMER IS RESPONSIBLE FOR DETERMINING THAT BALDOR'S PRODUCT WILL PERFORM SUITABLY IN THE INTENDED APPLICATION.

REV. DESC: ADD KOBX DIMENSION		
REV. LTR: H	VERSION: 03	TDR: 000000983990
FILE: \AAA\00020\667	REVISED: 01:19:34 06/13/2016	BY: ENMAIYO
MTL: -	© □	

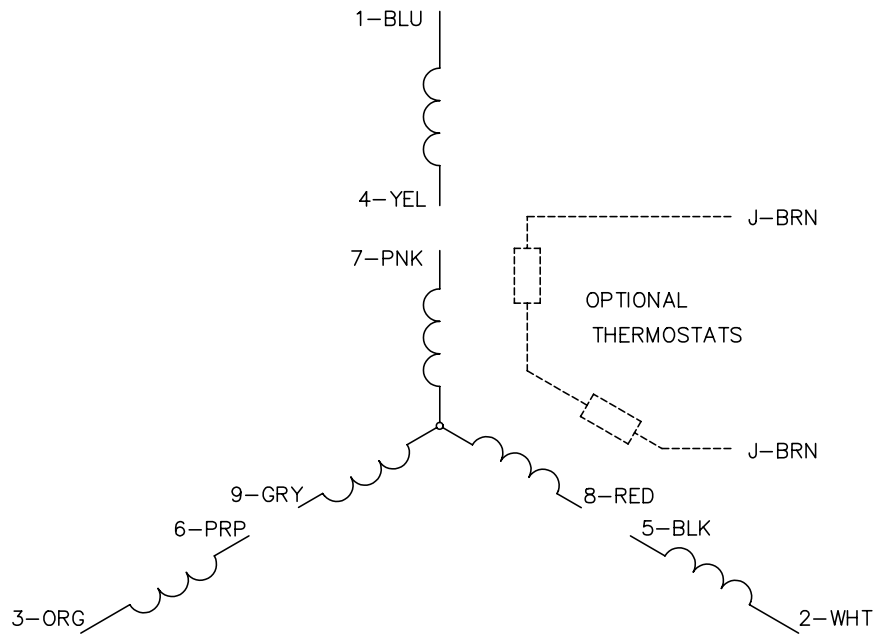
BALDOR

STD VERT MODEL 34M NEMA 56C OPEN W/DRIP COVER

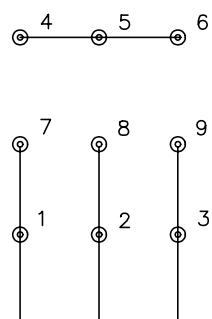
SH 1 of 1

34LYF012

CD0005

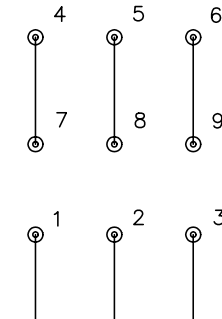


LOW VOLTAGE
(2Y)



LINE

HIGH VOLTAGE
(1Y)



LINE

NOTES:

1. INTERCHANGE ANY TWO LINE LEADS TO REVERSE ROTATION.
2. OPTIONAL THERMOSTATS ARE PROVIDED WHEN SPECIFIED.
3. ACTUAL NUMBER OF INTERNAL PARALLEL CIRCUITS MAY BE A MULTIPLE OF THOSE SHOWN ABOVE.
4. LEAD COLORS ARE OPTIONAL. LEADS MUST ALWAYS BE NUMBERED AS SHOWN.

REV. DESC: REVISE TO SHOW OPTIONAL COLORS			
REV. LTR: E	BY: JLP	REVISED: 01/19/99 10:15	TDR: 0171435
900000		FILE: AAA00005140	MDL: -
		MTL: -	

BALDOR ELECTRIC Co.

3PH, DV, 9 LEADS

CD0005