

BALDOR® • RELIANCE 

Product Information Packet

VM3155

2HP,3450RPM,3PH,60HZ,56C,3428M,OPEN,F1

Part Detail							
Revision:	T	Status:	INA/A	Change #:		Proprietary:	No
Type:	AC	Elec. Spec:	34WG0284	CD Diagram:	CD0005	Mfg Plant:	
Mech. Spec:	34F140	Layout:	34LYF140	Poles:	02	Created Date:	
Base:	N	Eff. Date:	01-21-2015	Leads:	9#18		

Specs			
Catalog Number:	VM3155	Heater Indicator:	No Heater
Enclosure:	ODP	Insulation Class:	B
Frame:	56C	Inverter Code:	Not Inverter
Frame Material:	Steel	KVA Code:	H
Output @ Frequency:	2.000 HP @ 60 HZ	Lifting Lugs:	No Lifting Lugs
Synchronous Speed @ Frequency:	3600 RPM @ 60 HZ	Locked Bearing Indicator:	Locked Bearing
Voltage @ Frequency:	460.0 V @ 60 HZ	Motor Lead Quantity/Wire Size:	9 @ 18 AWG
	230.0 V @ 60 HZ	Motor Lead Exit:	Ko Box
	208.0 V @ 60 HZ	Motor Lead Termination:	Flying Leads
XP Division:	Not Applicable	Motor Type:	3428M
Agency Approvals:	CSA	Mounting Arrangement:	F1
	UR	Power Factor:	80
Auxillary Box:	No Auxillary Box	Product Family:	General Purpose
Auxillary Box Lead Termination:	None	Pulley End Bearing Type:	Ball
Base Indicator:	No Mounting	Pulley Face Code:	C-Face
Bearing Grease Type:	Polyrex EM (-20F +300F)	Pulley Shaft Indicator:	Standard
Blower:	None	Rodent Screen:	None
Current @ Voltage:	2.900 A @ 460.0 V	RoHS Status:	ROHS COMPLIANT

	5.800 A @ 230.0 V	Shaft Extension Location:	Pulley End
	6.200 A @ 208.0 V	Shaft Ground Indicator:	No Shaft Grounding
Design Code:	B	Shaft Rotation:	Reversible
Drip Cover:	Drip Cover	Shaft Slinger Indicator:	No Slinger
Duty Rating:	CONT	Speed Code:	Single Speed
Electrically Isolated Bearing:	Not Electrically Isolated	Motor Standards:	NEMA
Feedback Device:	NO FEEDBACK	Starting Method:	Direct on line
Front Face Code:	Drip Cover Mounting	Thermal Device - Bearing:	None
Front Shaft Indicator:	None	Thermal Device - Winding:	None
		Vibration Sensor Indicator:	No Vibration Sensor

Nameplate NP1256L										
CAT.NO.	VM3155									
SPEC.	34F140-284									
HP	2									
VOLTS	208-230/460									
AMP	6.2-5.8/2.9									
RPM	3450									
FRAME	56C				HZ	60			PH	3
SER.F.	1.15		CODE	H	DES	B		CLASS	B	
NEMA-NOM-EFF	80		PF	80						
RATING	40C AMB-CONT									
CC								USABLE AT 208V	6.2	
DE	6203				ODE	6203				
ENCL	OPEN		SN							
	SFA 6.8-6.4/3.2									

Parts List		
Part Number	Description	Quantity
SA005808	SA 34F140-284	1.000 EA
RA002554	RA 34F140-284	1.000 EA
NS2512A01	INSULATOR, CONDUIT BOX X	1.000 EA
34CB3002A	CB CAST W/.88 DIA HOLE	1.000 EA
51XB1016A07	10-16 X 7/16 HXWSSLD SERTYB	2.000 EA
11XW1032G06	10-32 X .38, TAPTITE II, HEX WSHR SLTD U	1.000 EA
34EP3210A03SP	FR ENDPLATE, MACH	1.000 EA
HW5100A03	WAVY WASHER (W1543-017)	1.000 EA
34EP3401A01SP	PU ENDPLATE, MACH	1.000 EA
34AD2000	BAFFLE PLATE, STAMPED	1.000 EA
51XT0632A06	6-32X3/8 TY23 HXWS SLDSR	4.000 EA
51XN1032A20	10-32 X 1 1/4 HX WS SL SR	2.000 EA
34FH4000A11	DRIP COVER, STAMPED,PRIMER	1.000 EA
51XW1032A06	10-32 X .38, TAPTITE II, HEX WSHR SLTD S	3.000 EA
34CB4517	CB LID 4 MTG HOLES .22 DIA STAMPED, FOR	1.000 EA
51XW0832A07	8-32 X .44, TAPTITE II, HEX WSHR SLTD SE	4.000 EA
HW2501D13	KEY, 3/16 SQ X 1.375	1.000 EA
HA7000A04	KEY RETAINER 0.625 DIA SHAFTS	1.000 EA
MG1000G27	MED CHARCOAL METALLIC GREY 400-0096	0.014 GA
10XF0440S02	04-40 X 1/8 TYPE F HEX HD STAINLESS STIC	2.000 EA
HA3100A38	THRUBOLT 10-32 X 9.375	4.000 EA
LB1125C01	STD (STOCK) CARTON LABEL BALDOR WITH FLA	1.000 EA
LC0005E01	CONN.DIA./WARNING LABEL (LC0005/LB1119N)	1.000 EA
NP1256L	ALUM UL CSA CC INDUSTRIAL MOTOR A60	1.000 EA

Parts List (continued)		
Part Number	Description	Quantity
34PA1005	PKG GRP, PRINT PK1008A06	1.000 EA
PK3083T	STYROFOAM PACKING CRADLE W/TAPE	1.000 EA

AC Induction Motor Performance Data

Record # 18005

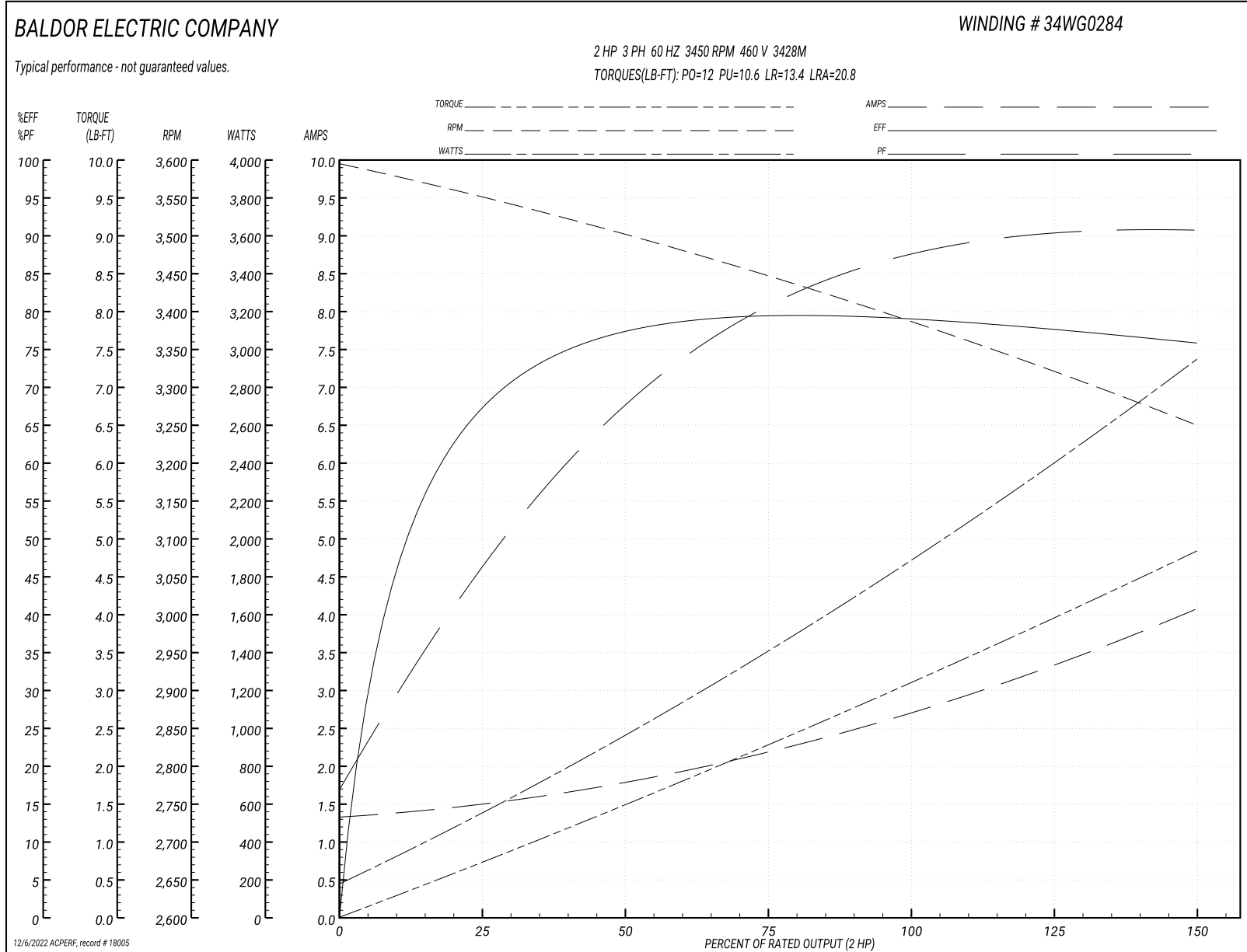
Typical performance - not guaranteed values

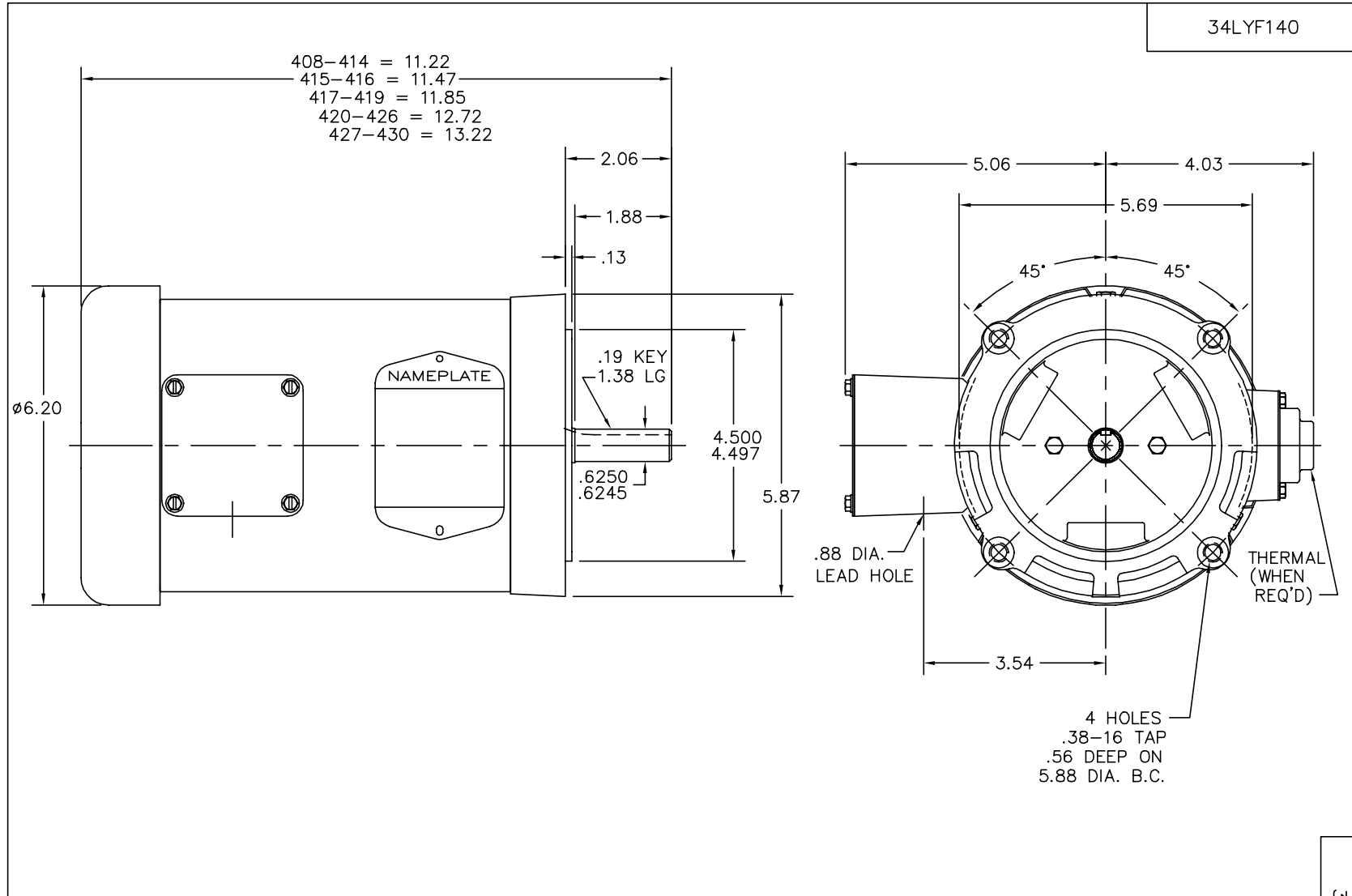
Winding: 34WG0284-R001		Type: 3428M	Enclosure: TEFC	
Nameplate Data			460 V, 60 Hz: High Voltage Connection	
Rated Output (HP)	2	Full Load Torque	3.11 LB-FT	
Volts	208-230/460	Start Configuration	direct on line	
Full Load Amps	6.2-5.8/2.9	Breakdown Torque	12 LB-FT	
R.P.M.	3450	Pull-up Torque	10.6 LB-FT	
Hz	60 Phase	Locked-rotor Torque	13.4 LB-FT	
NEMA Design Code	B KVA Code	Starting Current	20.8 A	
Service Factor (S.F.)	1.15	No-load Current	1.35 A	
NEMA Nom. Eff.	80 Power Factor	Line-line Res. @ 25°C	7.39 Ω	
Rating - Duty	40C AMB-CONT	Temp. Rise @ Rated Load	85°C	
S.F. Amps	6.8-6.4/3.2	Temp. Rise @ S.F. Load	103°C	
		Locked-rotor Power Factor	65	
		Rotor inertia	0.026 LB-FT ²	

Load Characteristics 460 V, 60 Hz, 2 HP

% of Rated Load	25	50	75	100	125	150	S.F.
Power Factor	48	68	80	87	90	91	89
Efficiency	67.7	77.5	80.1	80	78.5	76	79.1
Speed	3547	3502	3447	3389	3324	3247	3350
Line amperes	1.47	1.76	2.21	2.72	3.34	4.07	3.09

Performance Graph at 460V, 60Hz, 2.0HP Typical performance - Not guaranteed values





CUSTOMER IS RESPONSIBLE FOR DETERMINING THAT MOTOR PERFORMANCE IS SUITABLE IN THE APPLICATION.

REV. DESC: NEW KBOX & LID			
REV. LTR: D	BY: RT	REVISED: 16:17:07 10/16/2003	TDR: 315466
34LYF140		FILE: AAA00026612	REF: 34LYF140
		MTL: -	

BALDOR ELECTRIC Co.

STD VERT MODEL 34M NEMA 56C OPEN W/ DRIP COVER

34LYF140

CD0005

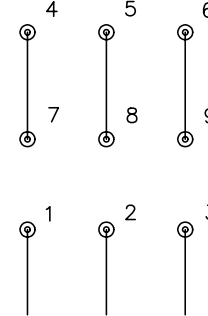


LOW VOLTAGE
(2Y)



LINE

HIGH VOLTAGE
(1Y)



LINE

NOTES:

1. INTERCHANGE ANY TWO LINE LEADS TO REVERSE ROTATION.
2. OPTIONAL THERMOSTATS ARE PROVIDED WHEN SPECIFIED.
3. ACTUAL NUMBER OF INTERNAL PARALLEL CIRCUITS MAY BE A MULTIPLE OF THOSE SHOWN ABOVE.
4. LEAD COLORS ARE OPTIONAL. LEADS MUST ALWAYS BE NUMBERED AS SHOWN.

REV. DESC: REVISE TO SHOW OPTIONAL COLORS			
REV. LTR: E	BY: JLP	REVISED: 01/19/99 10:15	TDR: 0171435
900000		FILE: AAA00005140	MDL: -
		MTL: -	

BALDOR ELECTRIC Co.

3PH, DV, 9 LEADS

CD0005