

**BALDOR® • RELIANCE** 

**Product Information Packet**

**VM3535**

**.33HP, 1140RPM, 3PH, 60HZ, 56C, 3414M, TEFC, F1**

Part Detail							
Revision:	S	Status:	PRD/A	Change #:		Proprietary:	No
Type:	AC	Elec. Spec:	34WG5883	CD Diagram:	CD0005	Mfg Plant:	
Mech. Spec:	34A063	Layout:	34LYA063	Poles:	06	Created Date:	
Base:	N	Eff. Date:	10-30-2018	Leads:	9#18		

Specs			
Catalog Number:	VM3535	Insulation Class:	B
Enclosure:	TEFC	Inverter Code:	Not Inverter
Frame:	56C	KVA Code:	K
Frame Material:	Steel	Lifting Lugs:	No Lifting Lugs
Motor Letter Type:	Three Phase	Locked Bearing Indicator:	Locked Bearing
Output @ Frequency:	.330 HP @ 60 HZ	Motor Lead Quantity/Wire Size:	9 @ 18 AWG
Synchronous Speed @ Frequency:	1200 RPM @ 60 HZ	Motor Lead Exit:	Ko Box
Voltage @ Frequency:	460.0 V @ 60 HZ	Motor Lead Termination:	Flying Leads
	230.0 V @ 60 HZ	Motor Type:	3414M
XP Class and Group:	None	Mounting Arrangement:	F1
XP Division:	Not Applicable	Power Factor:	51
Agency Approvals:	CSA	Product Family:	General Purpose
	UR	Pulley End Bearing Type:	Ball
Auxillary Box:	No Auxillary Box	Pulley Face Code:	C-Face
Auxillary Box Lead Termination:	None	Pulley Shaft Indicator:	Standard
Base Indicator:	No Mounting	Rodent Screen:	None
Bearing Grease Type:	Polyrex EM (-20F +300F)	RoHS Status:	ROHS COMPLIANT
Blower:	None	Shaft Extension Location:	Pulley End

<b>Current @ Voltage:</b>	1.800 A @ 230.0 V	<b>Shaft Ground Indicator:</b>	No Shaft Grounding
	2.100 A @ 208.0 V	<b>Shaft Rotation:</b>	Reversible
	.900 A @ 460.0 V	<b>Shaft Slinger Indicator:</b>	No Slinger
<b>Design Code:</b>	B	<b>Speed Code:</b>	Single Speed
<b>Drip Cover:</b>	No Drip Cover	<b>Motor Standards:</b>	NEMA
<b>Duty Rating:</b>	CONT	<b>Starting Method:</b>	Direct on line
<b>Electrically Isolated Bearing:</b>	Not Electrically Isolated	<b>Thermal Device - Bearing:</b>	None
<b>Feedback Device:</b>	NO FEEDBACK	<b>Thermal Device - Winding:</b>	None
<b>Front Face Code:</b>	Standard	<b>Vibration Sensor Indicator:</b>	No Vibration Sensor
<b>Front Shaft Indicator:</b>	None	<b>Winding Thermal 1:</b>	None
<b>Heater Indicator:</b>	No Heater	<b>Winding Thermal 2:</b>	None

Nameplate NP1256L										
CAT.NO.	VM3535									
SPEC.	34A63-5883									
HP	.33									
VOLTS	230/460									
AMP	1.8/.9									
RPM	1140									
FRAME	56C				HZ	60			PH	3
SER.F.	1.35		CODE	K	DES	B		CLASS	B	
NEMA-NOM-EFF	70		PF	51						
RATING	40C AMB-CONT									
CC								USABLE AT 208V	2.1	
DE	6203				ODE	6203				
ENCL	TEFC		SN							
	SFA 2/1									

Parts List		
Part Number	Description	Quantity
SA009881	SA 34A63-5883	1.000 EA
RA006326	RA 34A63-5883	1.000 EA
NS2512A01	INSULATOR, CONDUIT BOX X	1.000 EA
34CB3002A	CB CAST W/.88 DIA HOLE	1.000 EA
34GS1029A01	GASKET, CONDUIT BOX	1.000 EA
51XB1016A07	10-16 X 7/16 HXWSSLD SERTYB	2.000 EA
11XW1032G06	10-32 X .38, TAPTITE II, HEX WSHR SLTD U	1.000 EA
34EP3102A01SP	FR ENDPLATE, MACH	1.000 EA
HW5100A03	WAVY WASHER (W1543-017)	1.000 EA
34EP3300A24SP	PU ENDPLATE, MACH	1.000 EA
51XN1032A20	10-32 X 1 1/4 HX WS SL SR	2.000 EA
34FN3002A01SP	EXTERNAL FAN, PLASTIC, .637/.639 HUB W/	1.000 EA
51XW1032A06	10-32 X .38, TAPTITE II, HEX WSHR SLTD S	3.000 EA
34CB4517	CB LID 4 MTG HOLES .22 DIA STAMPED, FOR	1.000 EA
34GS1031A01	GASKET, FLAT CONDUIT BOX LID (LEXIDE)	1.000 EA
51XW0832A07	8-32 X .44, TAPTITE II, HEX WSHR SLTD SE	4.000 EA
HW2501D13	KEY, 3/16 SQ X 1.375	1.000 EA
34FH4002A01SP	IEC FH NO GREASER PRIMED	1.000 EA
HA7000A04	KEY RETAINER 0.625 DIA SHAFTS	1.000 EA
MG1000G27	MED CHARCOAL METALLIC GREY 400-0096	0.014 GA
85XU0407S04	4X1/4 U DRIVE PIN STAINLESS	2.000 EA
HA3100A12	THRUBOLT 10-32 X 7.375	4.000 EA
MN416A01	TAG-INSTAL-MAINT no wire (2200bx) 4/22	1.000 EA
LC0005E01	CONN.DIA./WARNING LABEL (LC0005/LB1119N)	1.000 EA

<b>Parts List (continued)</b>		
<b>Part Number</b>	<b>Description</b>	<b>Quantity</b>
NP1256L	ALUM UL CSA CC INDUSTRIAL MOTOR A60	1.000 EA
35PA1066	PKG GRP, PRINT PK1001A01	1.000 EA
PK3083	STYROFOAM PACKING CRADLE	1.000 EA
PK3088	MICROFOAM, 8"X"8 PERF. SHEETS	1.000 EA

**AC Induction Motor Performance Data**

Record # 6833

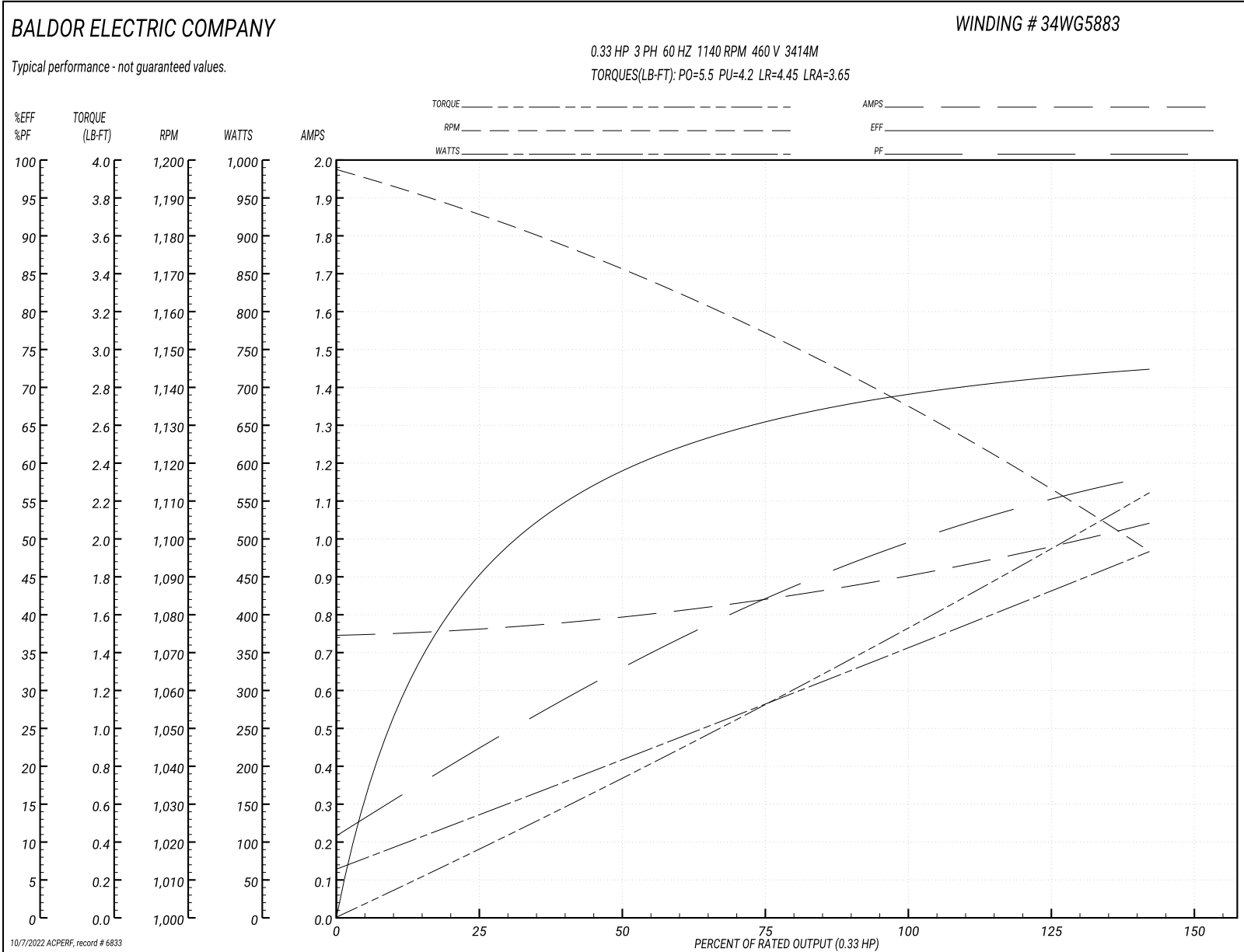
Typical performance - not guaranteed values

Winding: 34WG5883-R001		Type: 3414M	Enclosure: TEFC	
<b>Nameplate Data</b>			<b>460 V, 60 Hz: High Voltage Connection</b>	
Rated Output (HP)	.33	Full Load Torque	1.5 LB-FT	
Volts	230/460	Start Configuration	direct on line	
Full Load Amps	1.8/.9	Breakdown Torque	5.5 LB-FT	
R.P.M.	1140	Pull-up Torque	4.2 LB-FT	
Hz	60 Phase	Locked-rotor Torque	4.45 LB-FT	
NEMA Design Code	B KVA Code	Starting Current	3.65 A	
Service Factor (S.F.)	1.35	No-load Current	0.75 A	
NEMA Nom. Eff.	70 Power Factor	Line-line Res. @ 25°C	58.3 Ω	
Rating - Duty	40C AMB-CONT	Temp. Rise @ Rated Load	46°C	
S.F. Amps	2/1	Temp. Rise @ S.F. Load	58°C	

**Load Characteristics 460 V, 60 Hz, 0.33 HP**

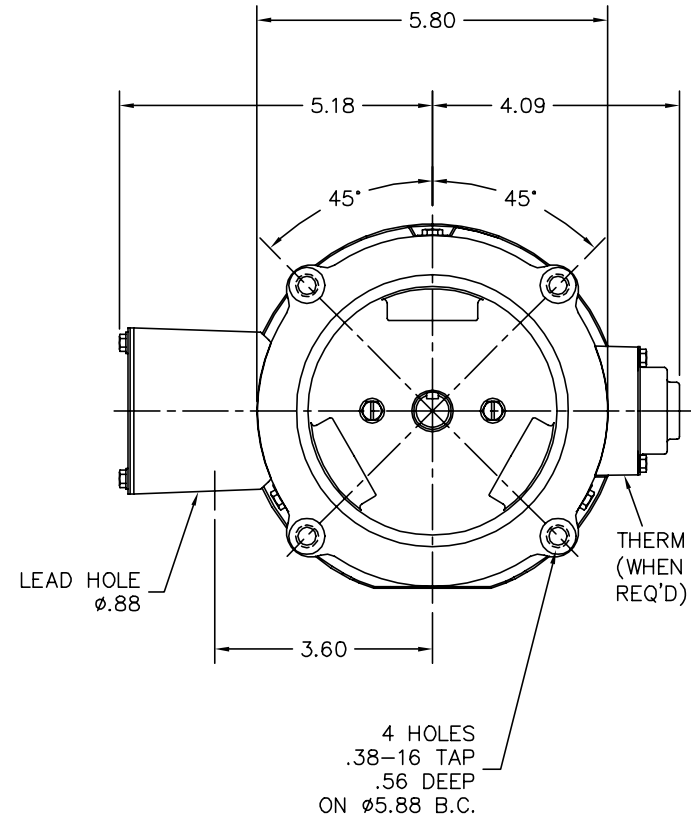
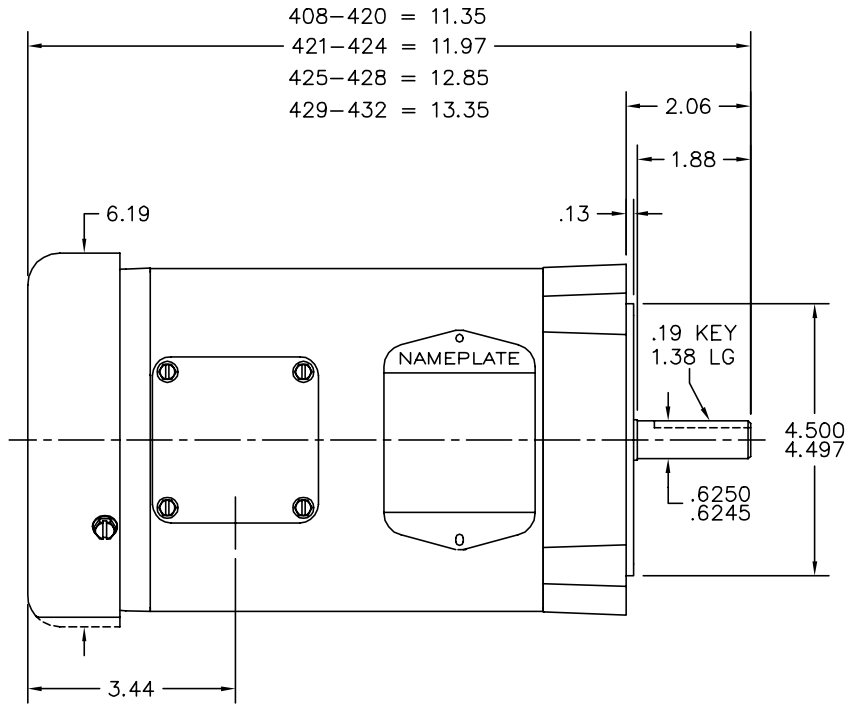
% of Rated Load	25	50	75	100	125	150	S.F.
Power Factor	19	30	42	51	58	64	62
Efficiency	44	58	66	70	71	72	71
Speed	1185	1170	1155	1135	1120	1095	1110
Line amperes	0.75	0.8	0.85	0.9	0.95	1.05	1

Performance Graph at 460V, 60Hz, 0.33HP Typical performance - Not guaranteed values






34LYA063



34LYA063

CUSTOMER IS RESPONSIBLE FOR DETERMINING THAT BALDOR'S PRODUCT WILL PERFORM SUITABLY IN THE INTENDED APPLICATION.

REV. DESC: UPDAYE LAYOUT GRAPHICS		
REV. LTR: M	VERSION: 03	TDR: 000001189834
FILE: \AAA\00000\724	REVISED: 02:47:09 04/25/2022	BY: ENJEFDO
MTL: -		

**BALDOR - RELIANCE®**

STD VERT 34M NEMA 56C TEFC

SH 1 of 1

CD0005

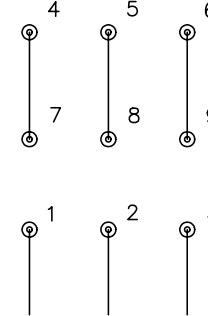


LOW VOLTAGE  
(2Y)



LINE

HIGH VOLTAGE  
(1Y)



LINE

NOTES:

1. INTERCHANGE ANY TWO LINE LEADS TO REVERSE ROTATION.
2. OPTIONAL THERMOSTATS ARE PROVIDED WHEN SPECIFIED.
3. ACTUAL NUMBER OF INTERNAL PARALLEL CIRCUITS MAY BE A MULTIPLE OF THOSE SHOWN ABOVE.
4. LEAD COLORS ARE OPTIONAL. LEADS MUST ALWAYS BE NUMBERED AS SHOWN.

REV. DESC: REVISE TO SHOW OPTIONAL COLORS

REV. LTR: E BY: JLP

REVISED: 01/19/99 10:15

TDR: 0171435

900003

FILE: AAA00005140

MDL: -

MTL: -

**BALDOR ELECTRIC Co.**

3PH, DV, 9 LEADS

CD0005