

BALDOR® • RELIANCE 

Product Information Packet

VM3606

1.5HP,1755RPM,3PH,60HZ,184C,3521M,TEFC,F

Part Detail							
Revision:	K	Status:	INA/A	Change #:		Proprietary:	No
Type:	AC	Elec. Spec:	35WGZ541	CD Diagram:	CD0005	Mfg Plant:	
Mech. Spec:	35H324	Layout:	35LYH324	Poles:	04	Created Date:	04-29-2010
Base:	N	Eff. Date:	09-12-2017	Leads:	9#18		

Specs			
Catalog Number:	VM3606	Heater Indicator:	No Heater
Enclosure:	TEFC	Insulation Class:	F
Frame:	184C	Inverter Code:	Not Inverter
Frame Material:	Steel	KVA Code:	M
Motor Letter Type:	Three Phase	Lifting Lugs:	No Lifting Lugs
Output @ Frequency:	1.500 HP @ 60 HZ	Locked Bearing Indicator:	Locked Bearing
Synchronous Speed @ Frequency:	1800 RPM @ 60 HZ	Motor Lead Quantity/Wire Size:	9 @ 18 AWG
Voltage @ Frequency:	230.0 V @ 60 HZ	Motor Lead Exit:	Ko Box
	208.0 V @ 60 HZ	Motor Lead Termination:	Flying Leads
	460.0 V @ 60 HZ	Motor Type:	3521M
XP Division:	Not Applicable	Mounting Arrangement:	F1
Agency Approvals:	CSA	Power Factor:	70
	UR	Product Family:	General Purpose
Auxillary Box:	No Auxillary Box	Pulley End Bearing Type:	Ball
Auxillary Box Lead Termination:	None	Pulley Face Code:	C-Face
Base Indicator:	N	Pulley Shaft Indicator:	Standard
Bearing Grease Type:	Polyrex EM (-20F +300F)	Rodent Screen:	None
Blower:	None	Shaft Extension Location:	Pulley End

Current @ Voltage:	4.800 A @ 230.0 V	Shaft Ground Indicator:	No Shaft Grounding
	5.100 A @ 208.0 V	Shaft Rotation:	Reversible
	2.400 A @ 460.0 V	Shaft Slinger Indicator:	No Slinger
Design Code:	B	Speed Code:	Single Speed
Drip Cover:	No Drip Cover	Motor Standards:	NEMA
Duty Rating:	CONT	Starting Method:	Direct on line
Electrically Isolated Bearing:	Not Electrically Isolated	Thermal Device - Bearing:	None
Feedback Device:	NO FEEDBACK	Thermal Device - Winding:	None
Front Face Code:	Standard	Vibration Sensor Indicator:	No Vibration Sensor
Front Shaft Indicator:	None	Winding Thermal 1:	None
		Winding Thermal 2:	None

Nameplate NP1256L										
CAT.NO.										
SPEC.	35H324Z541H1									
HP	1.5									
VOLTS	208-230/460									
AMP	5.1-4.8/2.4									
RPM	1755									
FRAME	184C				HZ	60			PH	3
SER.F.	1.15		CODE	M	DES	B		CLASS	F	
NEMA-NOM-EFF	84		PF	70						
RATING	40C AMB-CONT									
CC	010A				USABLE AT 208V					
DE	6205				ODE	6203				
ENCL	TEFC		SN							

Parts List		
Part Number	Description	Quantity
SA194248	SA 35H324Z541H1	1.000 EA
RA181836	RA 35H324Z541H1	1.000 EA
34FN3002B01	EXTERNAL FAN, PLASTIC, .637/.639 HUB W/	1.000 EA
NS2512A01	INSULATOR, CONDUIT BOX X	1.000 EA
35CB3007	35 CB CASTING W/.88 DIA. LEAD HOLE	1.000 EA
36GS1000SP	GASKET-CONDUIT BOX, .06 THICK #SV-330 LE	1.000 EA
51XB1016A07	10-16 X 7/16 HXWSSLD SERTYB	2.000 EA
11XW1032G06	10-32 X .38, TAPTITE II, HEX WSHR SLTD U	1.000 EA
35EP3122A00	FREP TEFC ASSEMBLY FOR ROUTING	1.000 EA
HW4500A01	1641B(ALEMITE)400 UNIV, GREASE FITT	1.000 EA
HW5100A03	WAVY WASHER (W1543-017)	1.000 EA
35EP3307C00	PUEP ASSEMBLY FOR ROUTING PURPOSES	1.000 EA
HW4500A01	1641B(ALEMITE)400 UNIV, GREASE FITT	1.000 EA
51XN1032A20	10-32 X 1 1/4 HX WS SL SR	2.000 EA
51XB1214A16	12-14X1.00 HXWSSLD SERTYB	1.000 EA
35FH4005A84SP	IEC FH W/GRSR, NO DIMPLES PRIMED	1.000 EA
51XW1032A06	10-32 X .38, TAPTITE II, HEX WSHR SLTD S	3.000 EA
35CB4521GX	CONDUIT BOX LID KIT **ORDER INDIV PARTS	1.000 EA
51XW0832A07	8-32 X .44, TAPTITE II, HEX WSHR SLTD SE	4.000 EA
HW2501D13	KEY, 3/16 SQ X 1.375	1.000 EA
HA7000A01	KEY RETAINER 7/8" DIA SHAFT	1.000 EA
85XU0407S04	4X1/4 U DRIVE PIN STAINLESS	2.000 EA
MJ1000A02	GREASE, POLYREX EM EXXON	0.050 LB
MG1000G27	MED CHARCOAL METALLIC GREY 400-0096	0.017 GA

Parts List (continued)		
Part Number	Description	Quantity
HA3100A15	THRUBOLT 10-32 X 8.375	4.000 EA
LC0005E01	CONN.DIA./WARNING LABEL (LC0005/LB1119N)	1.000 EA
NP1256L	ALUM UL CSA CC INDUSTRIAL MOTOR A60	1.000 EA
36PA1000	PKG GRP, PRINT PK1016A06	1.000 EA
MN416A01	TAG-INSTAL-MAINT no wire (2200bx) 4/22	1.000 EA
LB1417	LABEL CARTON 6X4 PERFORATED BLANK ROLLS	1.000 EA

AC Induction Motor Performance Data

Record # 23168

Typical performance - not guaranteed values

Winding: 35WGZ541-R001			Type: 3522M			Enclosure: TEFC		
Nameplate Data				460 V, 60 Hz: High Voltage Connection				
Rated Output (HP)	1.5		Full Load Torque	4.42 LB-FT				
Volts	208-230/460		Start Configuration	direct on line				
Full Load Amps	5.1-4.8/2.4		Breakdown Torque	19.8 LB-FT				
R.P.M.	1755		Pull-up Torque	10.65 LB-FT				
Hz	60 Phase	3	Locked-rotor Torque	14 LB-FT				
NEMA Design Code	B KVA Code	M	Starting Current	19.38 A				
Service Factor (S.F.)	1.15		No-load Current	1.59 A				
NEMA Nom. Eff.	84 Power Factor	70	Line-line Res. @ 25°C	9.72 Ω				
Rating - Duty	40C AMB-CONT		Temp. Rise @ Rated Load	55°C				
S.F. Amps			Temp. Rise @ S.F. Load	63°C				
			Locked-rotor Power Factor	53.6				
			Rotor inertia	0.13 LB-FT ²				

Load Characteristics 460 V, 60 Hz, 1.5 HP

% of Rated Load	25	50	75	100	125	150	S.F.
Power Factor	30	48	62	70	77	80	74
Efficiency	68.5	79.3	83.4	84.3	84.2	83.1	83.9
Speed	1792	1783	1773	1762	1751	1737	1754
Line amperes	1.64	1.8	2.04	2.35	2.7	3.11	2.57

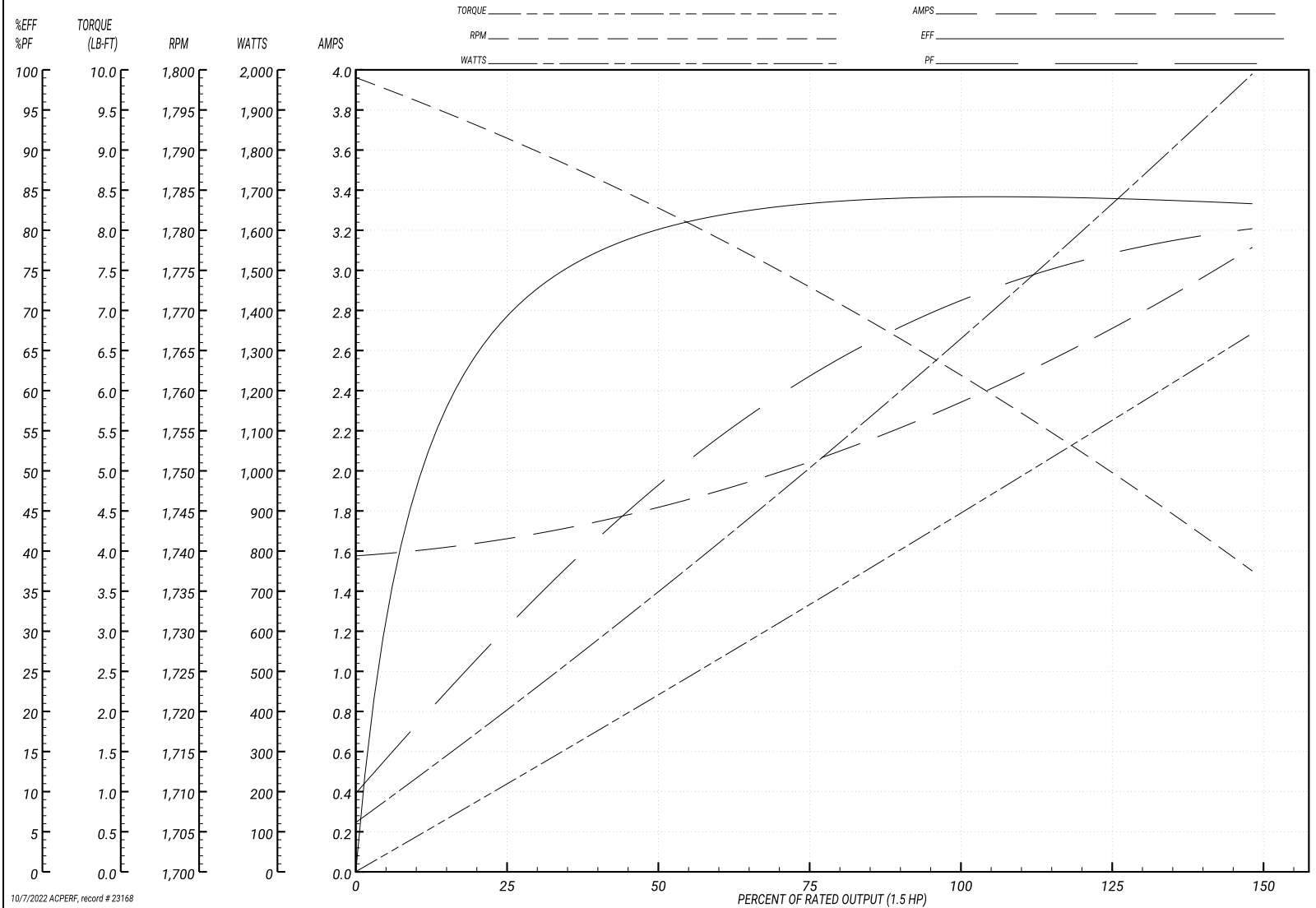
Performance Graph at 460V, 60Hz, 1.5HP Typical performance - Not guaranteed values

BALDOR ELECTRIC COMPANY

WINDING # 35WGZ541

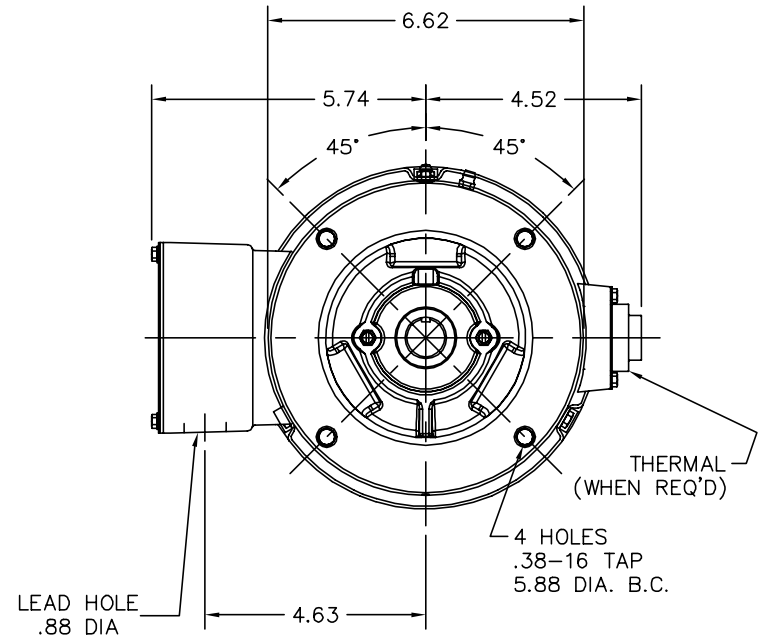
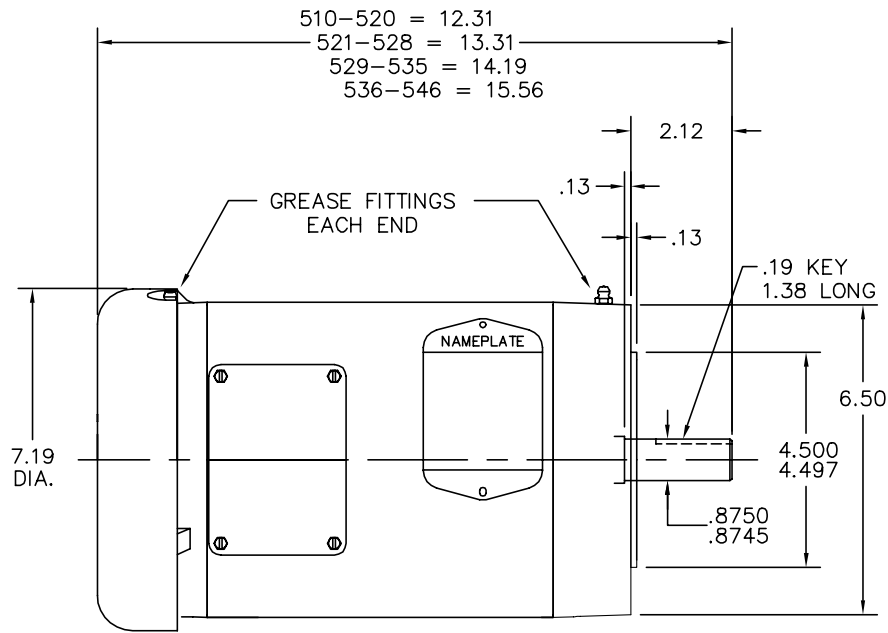
Typical performance - not guaranteed values.

1.5 HP 3 PH 60 HZ 1755 RPM 460 V 3522M
 TORQUES(LB-FT): PO=19.8 PU=10.65 LR=14 LRA=19.38




10/7/2022 ACPERF, record # 23168

35LYH324



CUSTOMER IS RESPONSIBLE FOR DETERMINING THAT BALDOR'S PRODUCT WILL PERFORM SUITABLY IN THE INTENDED APPLICATION.

REV. DESC: REPLACE ENDPLATES		
REV. LTR: D	VERSION: 01	TDR: 000001064040
FILE: \AAA\00013\553	REVISED: 10:57:22 03/15/2018	BY: FPJFEGO
MTL: -		

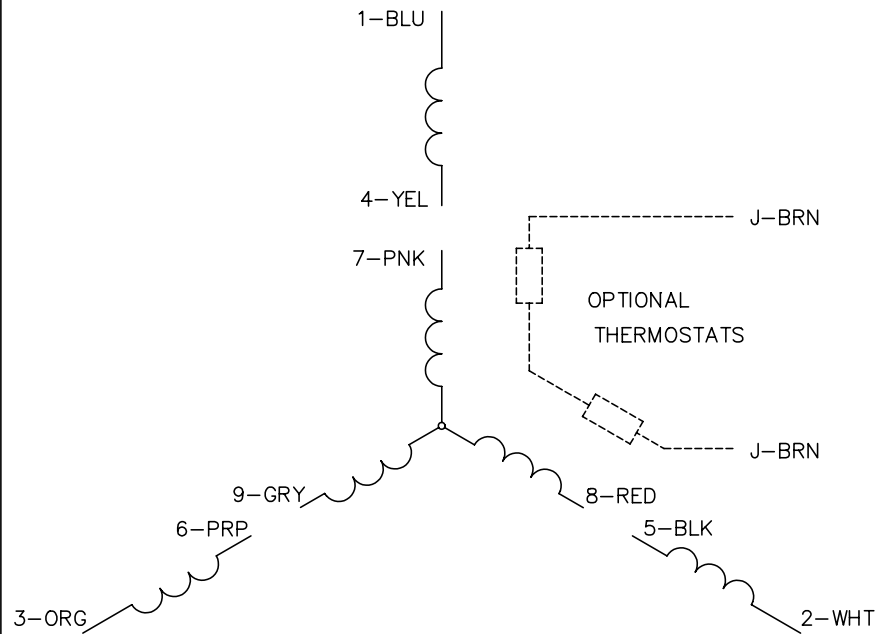
BALDOR

STD VERT 35M 182-4C TEFC FACE MTD

SH 1 of 1

35LYH324

CD0005



LOW VOLTAGE
(2Y)



LINE

HIGH VOLTAGE
(1Y)



LINE

NOTES:

1. INTERCHANGE ANY TWO LINE LEADS TO REVERSE ROTATION.
2. OPTIONAL THERMOSTATS ARE PROVIDED WHEN SPECIFIED.
3. ACTUAL NUMBER OF INTERNAL PARALLEL CIRCUITS MAY BE A MULTIPLE OF THOSE SHOWN ABOVE.
4. LEAD COLORS ARE OPTIONAL. LEADS MUST ALWAYS BE NUMBERED AS SHOWN.

REV. DESC: REVISE TO SHOW OPTIONAL COLORS			
REV. LTR: E	BY: JLP	REVISED: 01/19/99 10:15	TDR: 0171435
900000		FILE: AAA00005140	MDL: -
		MTL: -	

BALDOR ELECTRIC Co.

3PH, DV, 9 LEADS

CD0005