



---

# Customer information packet

## VXT30154T

1.5HP, 1760RPM, 3PH, 60HZ, 145TC, 0530M, TEFC

Class - CLI GP A,B,C,D

Division - Division II

## Specifications

Enclosure	TEFC
Frame	145TC
Frame Material	Iron
Frequency	60.00 Hz
Motor Letter Type	Three Phase
Output @ Frequency	1.500 HP @ 60 HZ
Phase	3
Synchronous Speed @ Frequency	1800 RPM @ 60 HZ
Voltage @ Frequency	208.0 V @ 60 HZ 230.0 V @ 60 HZ 460.0 V @ 60 HZ
XP Class and Group	CLI GP A,B,C,D
XP Division	Division II
Agency Approvals	CCSA US CSA CSA EEV UR
Ambient Temperature	40 °C
Auxillary Box	No Auxillary Box
Auxillary Box Lead Termination	None
Base Indicator	No Mounting
Bearing Grease Type	Polyrex EM (-20F +300F)
Blower	None
Constant Torque Speed Range	3
Current @ Voltage	4.600 A @ 208.0 V 4.200 A @ 230.0 V 2.100 A @ 460.0 V
Design Code	B
Drip Cover	No Drip Cover
Duty Rating	CONT
Efficiency @ 100% Load	88.5 %
Electrically Isolated Bearing	Not Electrically Isolated

## Part detail

Revision	C
Type	AC
Mech. spec.	
Base	
Status	PRD/A
Elec. spec.	05WGX008
Layout	05LY-000-374
Eff. date	09-19-2022
CD Diagram	CD0005
Poles	04
Leads	9#18
Proprietary	False
Created date	09-04-2020

Feedback Device	NO FEEDBACK
Heater Indicator	No Heater
High Voltage Full Load Amps	2.1 a
Insulation Class	F
Inverter Code	Inverter Duty
IP Rating	NONE
KVA Code	L
Lifting Lugs	No Lifting Lugs
Locked Bearing Indicator	Locked Bearing
Max Speed	2700 rpm
Motor Lead Termination	Flying Leads
Motor Standards	NEMA
Motor Type	0530M
Mounting Arrangement	F1
Number of Poles	4
Overall Length	12.54 IN
Power Factor	76
Product Family	General Purpose
Pulley Face Code	C-Face
Rodent Screen	None
Service Factor	1.15
Shaft Diameter	0.875 IN
Shaft Ground Indicator	No Shaft Grounding
Shaft Rotation	Reversible
Speed	1760 rpm
Speed Code	Single Speed
Starting Method	Direct on line
Thermal Device - Bearing	None
Thermal Device - Winding	None
Vibration Sensor Indicator	No Vibration Sensor
Winding Thermal 1	None
Winding Thermal 2	None
XP Temp Code	T4

**Nameplate**

<b>NP4163L</b>										
<b>CAT.NO.</b>	VXT30154T					<b>I.P.</b>	54			
<b>SPEC.</b>	05-0000-0860					<b>ENCL</b>	TEFC			
<b>FRAME</b>	145TC		<b>H.P.</b>	1.5						
<b>VOLTS</b>	208-230/460		<b>P.F.</b>	76						
<b>F.L. AMPS</b>	4.6-4.2/2.1		<b>RATING</b>	40C AMB-CONT						
<b>R.P.M.</b>	1760		<b>USABLE AT 208V</b>							
<b>HZ.</b>	60		<b>PH.</b>	3		<b>CLASS</b>	F			
<b>SER.F.</b>	1.15		<b>DES.</b>	B		<b>SL HZ</b>	1.3			
<b>NEMA NOM. EFF.</b>	88.5		<b>WK2</b>	0.18						
<b>DE</b>	6205		<b>ODE</b>	6203						
<b>MAG. CUR.</b>	2.4/1.2									
<b>INV TYPE</b>	PWM	<b>CHP</b>	60	<b>TO</b>	90	<b>T. CODE</b>	T4			
<b>CT</b>	3	<b>TO</b>	60	<b>VT</b>	3	<b>TO</b>	60			
<b>CC</b>	010A		<b>SN</b>							
USABLE AT 50HZ 1 HP 190/380V										
3.6/1.8A										

## Parts list

Part number	Description	Quantity
SA385578	SA 05-0000-0860	1.000 ea
RA375830	RA 05-0000-0860	1.000 ea
LC0005E01	CONN.DIA./WARNING LABEL (LC0005/LB1119N)	1.000 ea
LB1449	DIV-2/NEC WARNING LABEL	1.000 ea
PK3082	STYROFOAM CRADLE	1.000 ea
NP4163L	SS CP INV DIV-2 UL CSA-C US EEV PREM, DI	1.000 ea
85XU0407S04	4X1/4 U DRIVE PIN STAINLESS	2.000 ea
MN416A01	TAG-INSTAL-MAINT no wire (2100bx)4/22	1.000 ea
35FH4005A32SP	IEC FH NO GRSR W/3 HOLES - PRIMED	1.000 ea
51XW1032A06	10-32 X .38, TAPTITE II, HEX WSHR SLTD S	3.000 ea
35FN3002A05SP	EXFN, PLASTIC, 6.376 OD, .638 ID	1.000 ea
51XB1214A16	12-14X1.00 HXWSSLD SERTYB	1.000 ea
MJ1000A02	GREASE, POLYREX EM EXXON	0.050 lb
HA3100A47	THRUBOLT 10-32 X 7.625	4.000 ea
35EP3122K00	MASTER ODE,203 BRG, .683SH,#26 DRN,FH MTG	1.000 ea
HW4600B39SP	V-RING SLINGER 0.550 X 0.790 X .18 VITON	1.000 ea
HW5100A03	WAVY WASHER (W1543-017)	1.000 ea
HA4067A01	PUSH IN DRAIN FITTING (BLACK)	1.000 ea
35EP3307F11	F00 W/SLINGER	1.000 ea
HW4600B32SP	V-RING SLINGER 1.000 X 1.540 X .24 VITON	1.000 ea
51XN1032A20	10-32 X 1 1/4 HX WS SL SR	2.000 ea
06CB3000	BALDOR CONDUIT BOX CAST	1.000 ea
06GS1000	GASKET,CONDUIT BOX	1.000 ea
51XW2520A12	SCREW, HEX SER SLT HD, ZN, 1/4-20 X .75	2.000 ea
11XW1032G06	10-32 X .38, TAPTITE II, HEX WSHR SLTD U	1.000 ea
HW3001B02	BRASS CUP WASHER W/GROUND SYMBOL TAB,	1.000 ea
06CB3500	BALDOR CONDUIT BOX LID	1.000 ea
06GS1001	BALDOR CONDUIT BOX GASKET	1.000 ea
51XW2520A12	.25-20 X .75, TAPTITE II, HEX WSHR SLTD	2.000 ea
MG1025L14	WILKOFAS, 776.14, GRUNDFOS BLACK	0.125 ga
36PA1000	PKG GRP, PRINT PK1016A06	1.000 ea

HW2501D13	KEY, 3/16 SQ X 1.375	1.000 ea
HA7000A01	KEY RETAINER 7/8" DIA SHAFT	1.000 ea
FE-0000001	ZRTG FE ASSEMBLY	1.000 ea

**AC Induction Motor Performance Data**

Record # 84555

Typical performance - not guaranteed values

<b>Winding:</b> 05WGX008-R048		<b>Type:</b> 0530M		<b>Enclosure:</b> TEFC	
<b>Nameplate Data</b>			<b>460 V, 60 Hz: High Voltage Connection</b>		
<b>Rated Output (HP)</b>	1.5	<b>Full Load Torque</b>	4.49 LB-FT		
<b>Volts</b>	208-230/460	<b>Start Configuration</b>	direct on line		
<b>Full Load Amps</b>	4.6-4.2/2.1	<b>Breakdown Torque</b>	18.9 LB-FT		
<b>R.P.M.</b>	1760	<b>Pull-up Torque</b>	10.1 LB-FT		
<b>Hz</b>	60 <b>Phase</b>	3	<b>Locked-rotor Torque</b>	13.8 LB-FT	
<b>NEMA Design Code</b>	<b>B KVA Code</b>	L	<b>Starting Current</b>	18 A	
<b>Service Factor (S.F.)</b>		1	<b>No-load Current</b>	1.21 A	
<b>NEMA Nom. Eff.</b>	88.5 <b>Power Factor</b>	76	<b>Line-line Res. @ 25°C</b>	9.69 Ω	
<b>Rating - Duty</b>	40C AMB-CONT		<b>Temp. Rise @ Rated Load</b>	30°C	
<b>S.F. Amps</b>			<b>Temp. Rise @ S.F. Load</b>	37°C	
			<b>Locked-rotor Power Factor</b>	47.8	
			<b>Rotor inertia</b>	0.177 lb-ft <sup>2</sup>	

**Load Characteristics 460 V, 60 Hz, 1.5 HP**

<b>% of Rated Load</b>	<b>25</b>	<b>50</b>	<b>75</b>	<b>100</b>
<b>Power Factor</b>	33	54	67	75
<b>Efficiency</b>	78.6	86.5	88.3	89
<b>Speed</b>	1791	1782	1773	1761
<b>Line amperes</b>	1.29	1.49	1.76	2.1

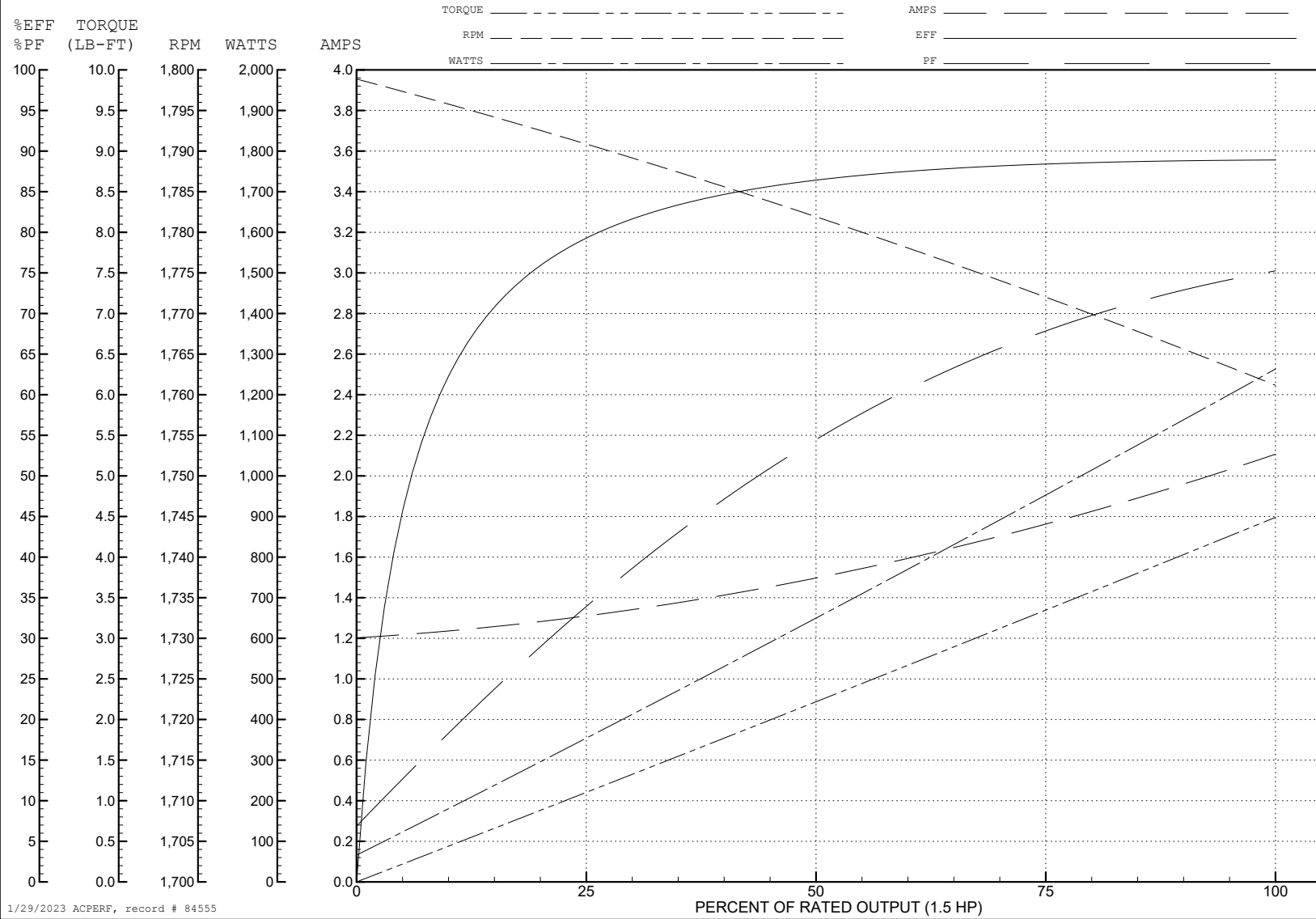
ABB Motors and Mechanical Inc.

WINDING # 05WGX008

Typical performance - not guaranteed values.

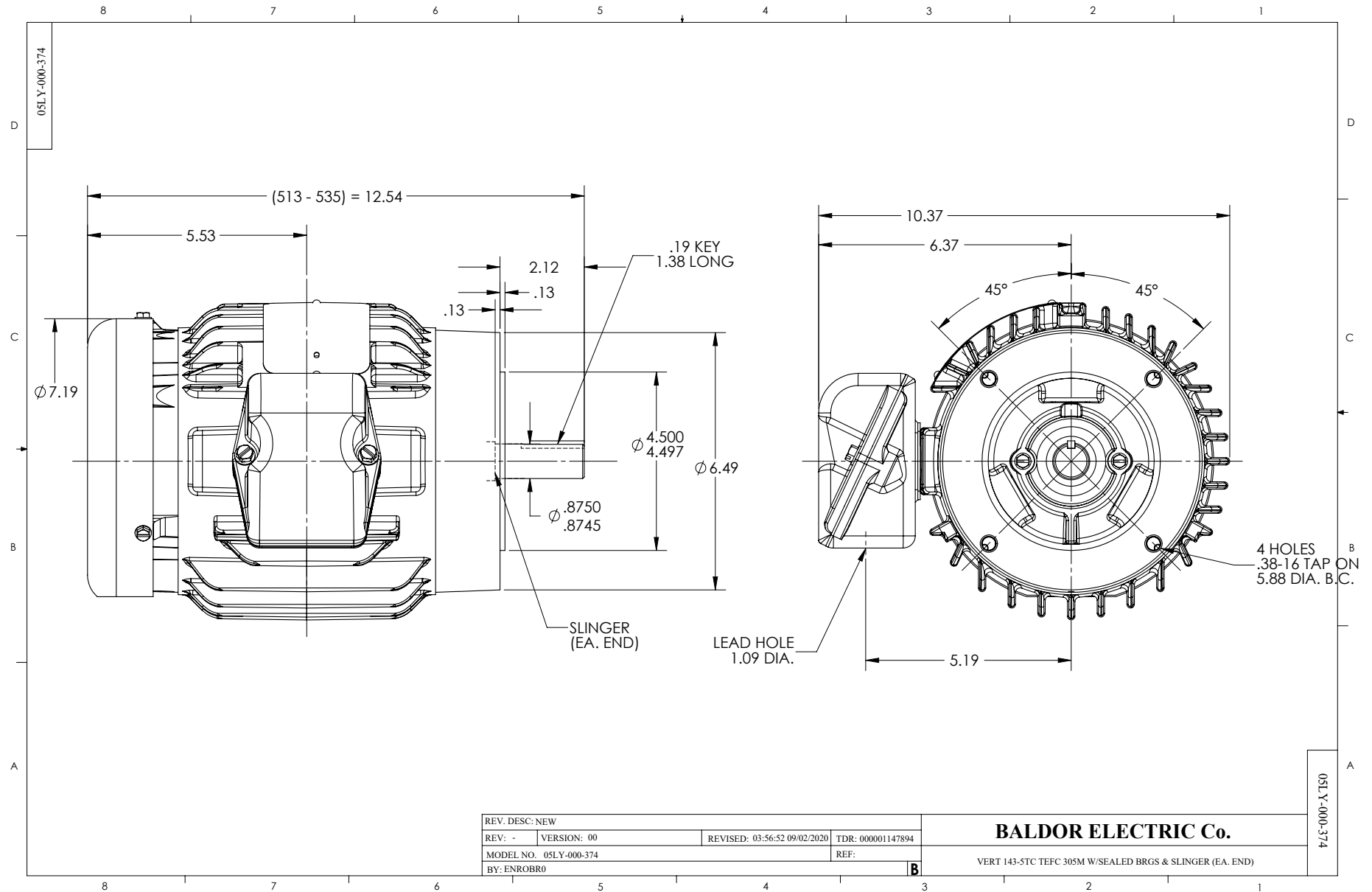
1.5 HP 3 PH 60 HZ 1760 RPM 460 V 0530M

TORQUES (LB-FT): PO=18.9 PU=10.1 LR=13.8 LRA=18

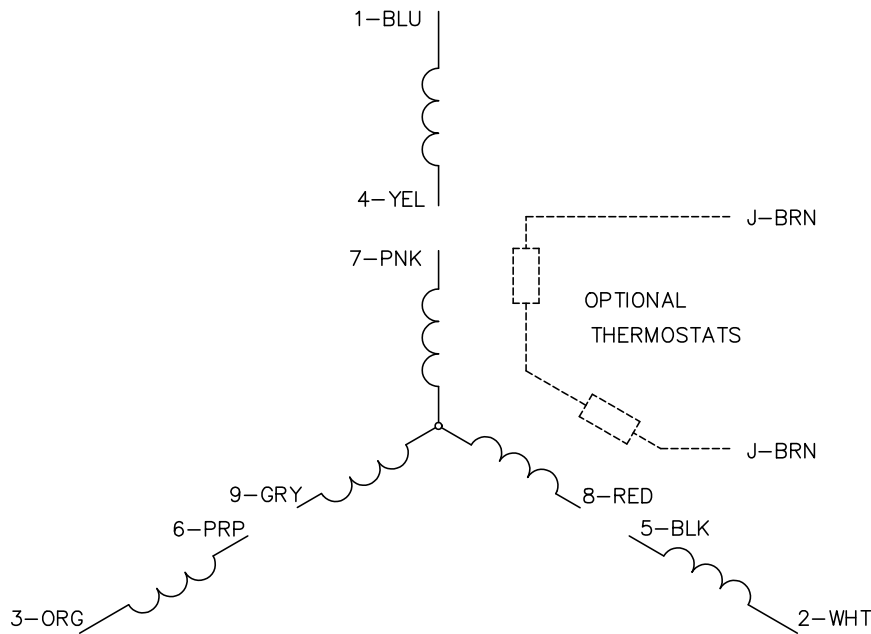


1/29/2023 ACPERF, record # 84555

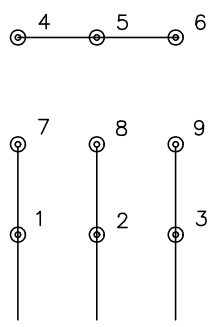




CD0005

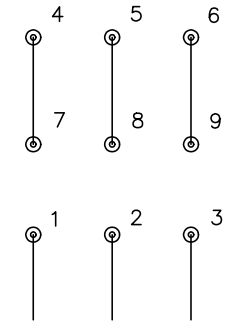


LOW VOLTAGE  
(2Y)



LINE

HIGH VOLTAGE  
(1Y)



LINE

NOTES:

1. INTERCHANGE ANY TWO LINE LEADS TO REVERSE ROTATION.
2. OPTIONAL THERMOSTATS ARE PROVIDED WHEN SPECIFIED.
3. ACTUAL NUMBER OF INTERNAL PARALLEL CIRCUITS MAY BE A MULTIPLE OF THOSE SHOWN ABOVE.
4. LEAD COLORS ARE OPTIONAL. LEADS MUST ALWAYS BE NUMBERED AS SHOWN.

CD0005

REV. DESC: REVISE TO SHOW OPTIONAL COLORS			
REV. LTR: E	BY: JLP	REVISED: 01/19/99 10:15	TDR: 0171435
S00000		FILE: AAA00005140	MDL: -
		MTL: -	

**BALDOR ELECTRIC Co.**

3PH, DV, 9 LEADS