

BALDOR® • RELIANCE 

Product Information Packet

VXT3152T

15HP,3520RPM,3PH,60HZ,254TC,0930M,TEFC,F

Part Detail							
Revision:	D	Status:	PRD/A	Change #:		Proprietary:	No
Type:	AC	Elec. Spec:	09WGZ602	CD Diagram:	CD0180	Mfg Plant:	
Mech. Spec:		Layout:	09LY-001-011	Poles:	02	Created Date:	12-02-2020
Base:		Eff. Date:	09-12-2022	Leads:	9#12		

Specs			
Catalog Number:	VXT3152T	Electrically Isolated Bearing:	Not Electrically Isolated
Enclosure:	TEFC	Feedback Device:	NO FEEDBACK
Frame:	254TC	Heater Indicator:	No Heater
Frame Material:	Iron	Insulation Class:	F
Motor Letter Type:	Three Phase	Inverter Code:	Inverter Duty
Output @ Frequency:	15.000 HP @ 60 HZ	IP Rating:	NONE
Synchronous Speed @ Frequency:	3600 RPM @ 60 HZ	KVA Code:	G
Voltage @ Frequency:	460.0 V @ 60 HZ	Lifting Lugs:	Standard Lifting Lugs
	230.0 V @ 60 HZ	Locked Bearing Indicator:	Locked Bearing
XP Class and Group:	CLI GP A,B,C,D	Motor Lead Termination:	Flying Leads
XP Division:	Division II	Motor Type:	0930M
Agency Approvals:	CCSA US	Mounting Arrangement:	F1
	CSA EEV	Power Factor:	87
	NEMA PREMIUM	Product Family:	General Purpose
	UR	Pulley Face Code:	C-Face
Auxillary Box:	No Auxillary Box	Rodent Screen:	None
Auxillary Box Lead Termination:	None	Shaft Ground Indicator:	No Shaft Grounding
Base Indicator:	No Mounting	Shaft Rotation:	Reversible

Bearing Grease Type:	Polyrex EM (-20F +300F)	Speed Code:	Single Speed
Blower:	None	Motor Standards:	NEMA
Constant Torque Speed Range:	6	Starting Method:	Direct on line
Current @ Voltage:	38.000 A @ 208.0 V	Thermal Device - Bearing:	None
	35.000 A @ 230.0 V	Thermal Device - Winding:	None
	17.500 A @ 460.0 V	Vibration Sensor Indicator:	No Vibration Sensor
Design Code:	B	Winding Thermal 1:	None
Drip Cover:	No Drip Cover	Winding Thermal 2:	None
Duty Rating:	CONT	XP Temp Code:	T3C

Nameplate NP4163L											
CAT.NO.	VXT3152T						I.P.	54			
SPEC.	09-0000-2774						ENCL	TEFC			
FRAME	254TC				H.P.	15					
VOLTS	230/460				P.F.	87					
F.L. AMPS	35/17.5				RATING	40C AMB-CONT					
R.P.M.	3520				USABLE AT 208V	38					
HZ.	60				PH.	3		CLASS	F		
SER.F.	1.15				DES.	B		SL HZ	1.3		
NEMA NOM. EFF.	91				Wk2	0.77		ODE	6208		
DE	6309										
MAG. CUR.	12.6/6.3										
INV TYPE	PWM		CHP 60		TO 90		T. CODE T3A				
CT	6		TO 60		VT 6		TO 60				
CC	010A		SN								
USABLE AT 50 HZ 10HP 190/380V											
29.4/14.7A											

Parts List		
Part Number	Description	Quantity
SA389356	SA 09-0000-2774	1.000 EA
RA379736	RA 09-0000-2774	1.000 EA
LB1115N	LABEL,LIFTING DEVICE (ON ROLLS)	1.000 EA
LB1119N	WARNING LABEL	1.000 EA
LC0181	CONNECTION LABEL	1.000 EA
LB1449	DIV-2/NEC WARNING LABEL	1.000 EA
NP4163L	SS CP INV DIV-2 UL CSA-C US EEV PREM, DI	1.000 EA
85XU0407S04	4X1/4 U DRIVE PIN STAINLESS	2.000 EA
MN416A01	TAG-INSTAL-MAINT no wire (2200bx) 4/22	1.000 EA
HW3201A01	1/2-13 EYEBOLT	1.000 EA
HW1002A63	WASHER, 5/8 HI-COLLAR SPRCKWASHER	1.000 EA
09FH4000SP	309 FH - BLACK PRIMER	1.000 EA
HW1001A38	LOCKWASHER 3/8, ZINC PLT .688 OD, .382 I	4.000 EA
XY3816A12	3/8-16 FINISHED NUT	4.000 EA
37FN3002C02	EXFN, PLASTIC, 6.00 OD, 1.503 ID	1.000 EA
HW2500A25	WOODRUFF KEY USA #1008 #BLOW CARBON STEE	1.000 EA
MJ1000A02	GREASE, POLYREX EM EXXON	0.080 LB
09EP1100A196	ENDPLATE, MACH	1.000 EA
HA3400A33	STUD- 3/8-16 X 4.96 HEX	4.000 EA
HW1001A38	LOCKWASHER 3/8, ZINC PLT .688 OD, .382 I	4.000 EA
HW5100A08	W3118-035 WVY WSHR (WB)	1.000 EA
HA4066A01	PUSH IN T-DRAIN FITTING (BLACK)	1.000 EA
09EP1300A164	FACE MTD. E.P. 309 ENCL 254-6TC 309 BRG-	1.000 EA
HW1001A38	LOCKWASHER 3/8, ZINC PLT .688 OD, .382 I	4.000 EA

Parts List (continued)		
Part Number	Description	Quantity
10XN3816K28	3/8-16 X 1.75 HEX HD CAP SCREW, GRADE 5	4.000 EA
HW4600B44	V-RING SLINGER 1.500 X 1.810 X .28 VITON	1.000 EA
HW4600B44	V-RING SLINGER 1.500 X 1.810 X .28 VITON	1.000 EA
10XN2520K36	1/4-20 X 2.25" HX HD SCRWGRADE 5, ZINC P	4.000 EA
HW1001A25	LOCKWASHER 1/4, ZINC PLT .493 OD, .255 I	4.000 EA
HA4066A01	PUSH IN T-DRAIN FITTING (BLACK)	1.000 EA
09CB3002A10	CB MACH 1.38 DIA. LEAD HOLE 2.38 MTG	1.000 EA
09GS1000SP	GASKET-CONDUIT BOX, 1/16 THICK LEXIDE	1.000 EA
51XW2520A12	.25-20 X .75, TAPTITE II, HEX WSHR SLTD	4.000 EA
WD1000B16	T&B CX70TN OR L70P TERMINAL LUG	1.000 EA
59XW2520G07	.25-20X.44,HEX SER WSHR,TAPTITE 2,GREEN	1.000 EA
09CB3501SP	CONDUIT BOX LID FOR 09CB3001 & 09CB3002	1.000 EA
09GS1013SP	GS FOR 09CB3501, 12CB1500 & 12CB1503 LID	1.000 EA
51XW2520A12	.25-20 X .75, TAPTITE II, HEX WSHR SLTD	2.000 EA
MG1025L14	WILKOFASST, 776.14, GRUNDFOS BLACK	0.070 GA
PK6014	STEEL STRAP FOR 309-312 BASELESS MOTORS	4.000 EA
40PA1017	PACKAGING GROUP, 09 VERT LARGE FLANGE	1.000 EA
19XW3118A08	.31-18 X .50 HEX WASHER HEAD TAPTITE II	4.000 EA
HW2501G25	KEY, 3/8 SQ X 2.875	1.000 EA

AC Induction Motor Performance Data

Record # 31412

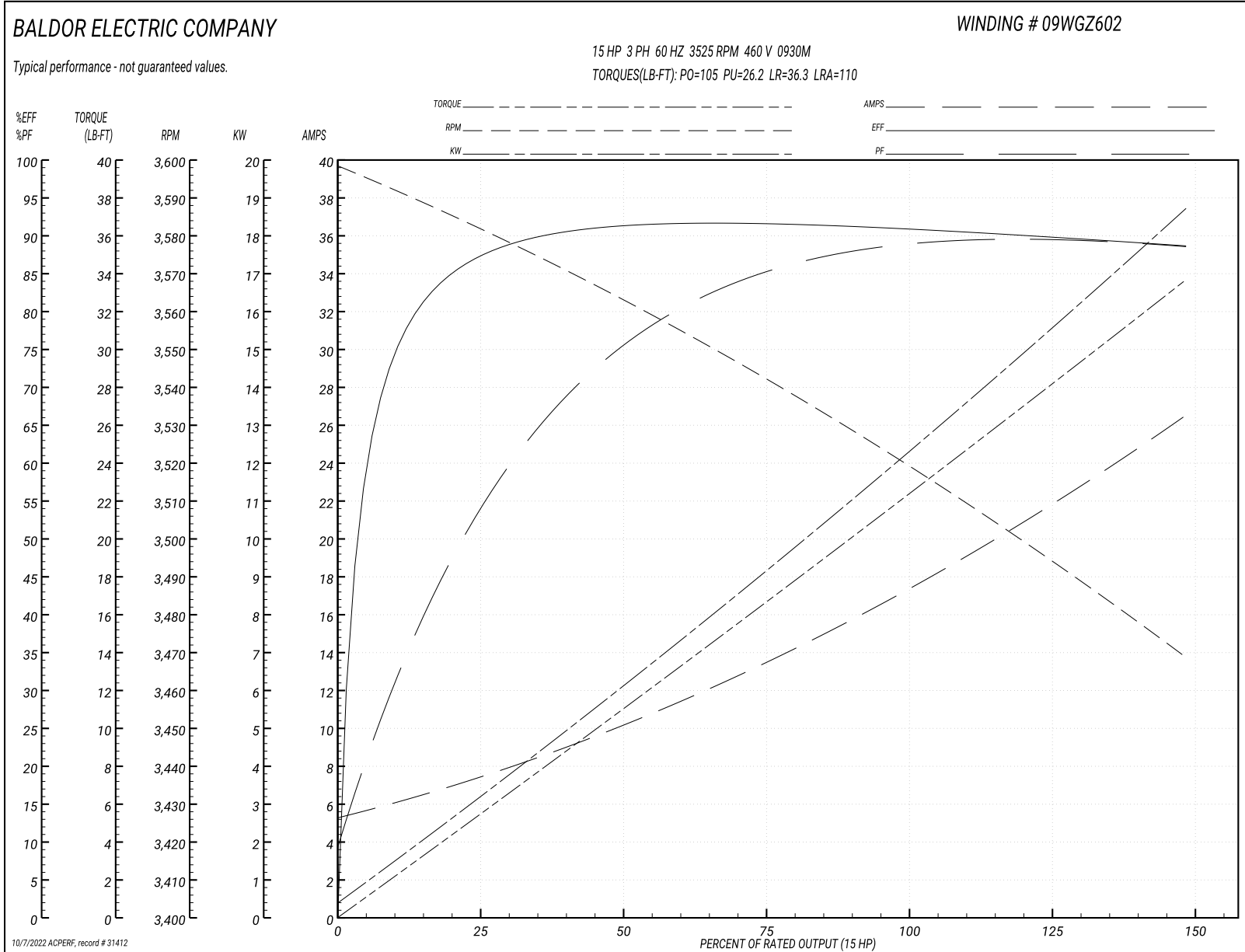
Typical performance - not guaranteed values

Winding: 09WGZ602-R001			Type: 0930M		Enclosure: TEFC	
Nameplate Data				460 V, 60 Hz: High Voltage Connection		
Rated Output (HP)		15	Full Load Torque		22.1 LB-FT	
Volts		230/460	Start Configuration		direct on line	
Full Load Amps		35/17.5	Breakdown Torque		105 LB-FT	
R.P.M.		3525	Pull-up Torque		26.2 LB-FT	
Hz	60 Phase	3	Locked-rotor Torque		36.3 LB-FT	
NEMA Design Code	B KVA Code	G	Starting Current		110 A	
Service Factor (S.F.)		1.15	No-load Current		5.58 A	
NEMA Nom. Eff.	91 Power Factor	87	Line-line Res. @ 25°C		0.68654 Ω	
Rating - Duty		40C AMB-CONT	Temp. Rise @ Rated Load		63°C	
S.F. Amps			Temp. Rise @ S.F. Load		78°C	
			Locked-rotor Power Factor		30	
			Rotor inertia		0.766 lb-ft ²	

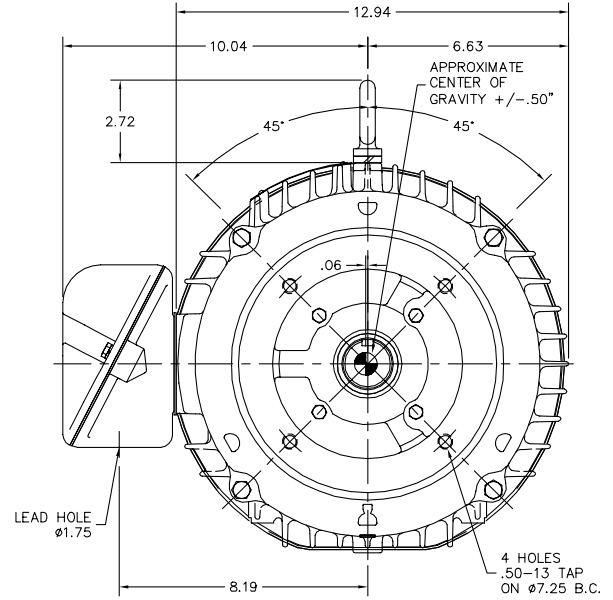
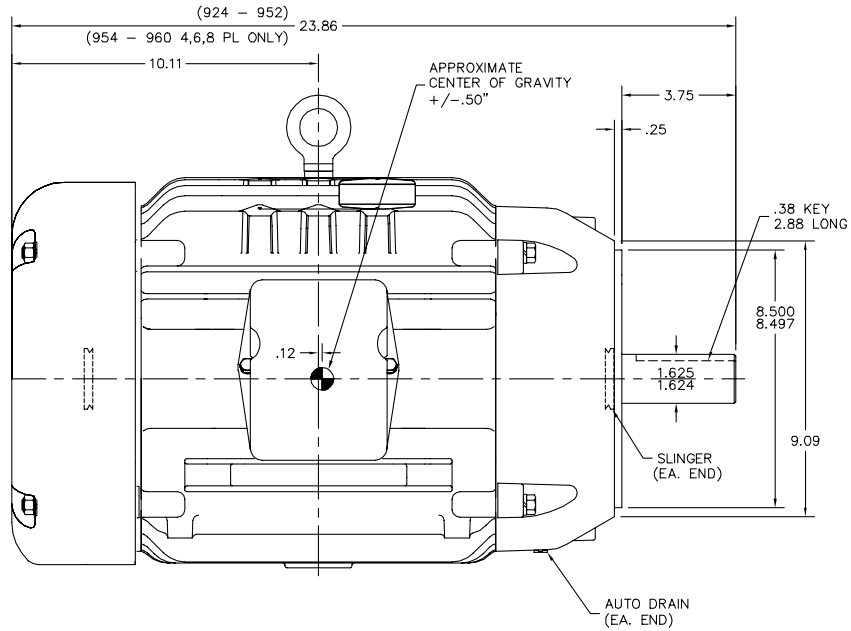
Load Characteristics 460 V, 60 Hz, 15 HP

% of Rated Load	25	50	75	100	125	150	S.F.
Power Factor	55	77	85	87	89	89	88
Efficiency	86.4	91	91.6	91	90	88.6	90.4
Speed	3582.7	3563.6	3542.7	3520.9	3495.8	3468.3	3506
Line amperes	6.93	9.78	13.5	17.5	21.6	26.4	20

Performance Graph at 460V, 60Hz, 15.0HP Typical performance - Not guaranteed values



09LY-001-011



09LY-001-011

CUSTOMER IS RESPONSIBLE FOR DETERMINING THAT THE PRODUCT WILL PERFORM SUITABLY IN THE INTENDED APPLICATION.

REV. DESC: UPDATE 09CB3002 TO 09CB3003, PER NEMA LEAD HOLE	VERSION: 02	TDR: 000001172477
REV. LTR: B	REVISED: 09:54:08 07/13/2021	BY: ENFRAJJO
FILE: \AAA\00255\334		
MTL: -		

BALDOR - RELIANCE[®]
 VERT TEFC 254-6TC W/SLD BRGS
 SH 1 of 1

CD0180



LOW VOLTAGE
(2D)



HIGH VOLTAGE
(1D)



NOTES:

1. INTERCHANGE ANY TWO LINE LEADS TO REVERSE ROTATION.
2. OPTIONAL THERMOSTATS ARE PROVIDED WHEN SPECIFIED.
3. ACTUAL NUMBER OF INTERNAL PARALLEL CIRCUITS MAY BE A MULTIPLE OF THOSE SHOWN ABOVE.
4. LEAD COLORS ARE OPTIONAL. LEADS MUST ALWAYS BE NUMBERED AS SHOWN.

CD0180

REV. DESC: ADD CLASS CONN00000007		
REV. LTR: D	VERSION: 01	TDR: 000001099922
FILE: \AAA\00005\148	REVISED: 10:25:29 02/19/2019	BY: ENBRIRO
MTL: -	© □	

BALDOR - RELIANCE®

3PH, DV, 9 LEADS, DELTA CONNECTION

SH 1 of 1

Marketing maintained PDF of MN416:

<http://www.baldor.com/support/Literature/Load.ashx/MN416?ManNumber=MN416>