

**BALDOR • RELIANCE**

---

# Customer information packet

## XM281562T

15//10HP, 1175//985RPM, 3PH, 60//50HZ, 284T

Class - CLI GP D; CLII GP F,G

Division - Division I

## Specifications

Enclosure	XPFC
Frame	284T
Frame Material	Iron
Frequency	50.00 Hz 60.00 Hz
Motor Letter Type	Three Phase
Output @ Frequency	15.000 HP @ 60 HZ 10.000 HP @ 50 HZ
Phase	3
Synchronous Speed @ Frequency	1200 RPM @ 60 HZ
Voltage @ Frequency	190.0 V @ 50 HZ 230.0 V @ 60 HZ 380.0 V @ 50 HZ 460.0 V @ 60 HZ
XP Class and Group	CLI GP D; CLII GP F,G
XP Division	Division I
Agency Approvals	CSA CSA EEV UR
Ambient Temperature	40 °C
Auxillary Box	No Auxillary Box
Auxillary Box Lead Termination	None
Base Indicator	Rigid
Bearing Grease Type	Polyrex EM (-20F +300F)
Blower	None
Constant Torque Speed Range	6
Current @ Voltage	42.000 A @ 230.0 V 42.000 A @ 208.0 V 36.000 A @ 190.0 V 21.000 A @ 460.0 V 18.000 A @ 380.0 V
Design Code	A

## Part detail

Revision	A
Type	AC
Mech. spec.	
Base	
Status	PRD/A
Elec. spec.	10WGY561
Layout	10LYE106
Eff. date	09-18-2022
CD Diagram	CD0180
Poles	06
Leads	9#10
Proprietary	False
Created date	03-23-2021

<b>Drip Cover</b>	No Drip Cover
<b>Duty Rating</b>	CONT
<b>Efficiency @ 100% Load</b>	91.7 %
<b>Electrically Isolated Bearing</b>	Not Electrically Isolated
<b>Feedback Device</b>	NO FEEDBACK
<b>Heater Indicator</b>	No Heater
<b>High Voltage Full Load Amps</b>	18.0 a
<b>Insulation Class</b>	F
<b>Inverter Code</b>	Inverter Duty
<b>IP Rating</b>	NONE
<b>KVA Code</b>	H
<b>Lifting Lugs</b>	Standard Lifting Lugs
<b>Locked Bearing Indicator</b>	Locked Bearing
<b>Max Speed</b>	1800 rpm
<b>Motor Lead Termination</b>	Flying Leads
<b>Motor Standards</b>	NEMA
<b>Motor Type</b>	1046M
<b>Mounting Arrangement</b>	F1
<b>Number of Poles</b>	6
<b>Overall Length</b>	28.61 IN
<b>Power Factor</b>	73
<b>Product Family</b>	Hazardous Location Motor
<b>Pulley Face Code</b>	Standard
<b>Rodent Screen</b>	None
<b>Service Factor</b>	1.00
<b>Shaft Diameter</b>	1.875 IN
<b>Shaft Ground Indicator</b>	No Shaft Grounding
<b>Shaft Rotation</b>	Reversible
<b>Speed</b>	1175 rpm
<b>Speed Code</b>	Single Speed
<b>Starting Method</b>	Direct on line
<b>Thermal Device - Bearing</b>	None
<b>Thermal Device - Winding</b>	Normally Closed Thermostat
<b>Vibration Sensor Indicator</b>	No Vibration Sensor

<b>Winding Thermal 1</b>	<b>None</b>
<b>Winding Thermal 2</b>	<b>None</b>
<b>XP Temp Code</b>	<b>T3C</b>

**Nameplate**

**NP0887XPSLEV**

<b>NO.</b>		<b>CC</b>	010A		
<b>S/N</b>		<b>TEMP CODE</b>	T3C		
<b>SPEC.</b>	10-0000-2030	<b>INV.TYPE</b>	PWM		
<b>CAT.NO.</b>	XM281562T	<b>C HP FR</b>	60	<b>C HP TO</b>	90
<b>HP</b>	15//10	<b>CT HZ FROM</b>	6	<b>CT HZ TO</b>	60
<b>VOLTS</b>	230/460//190/380	<b>VT HZ FROM</b>	6	<b>VT HZ TO</b>	60
<b>AMPS</b>	42/21//36/18	<b>MAG CUR</b>	22/11		
<b>RPM</b>	1175//985	<b>MX RPM</b>	1800		
<b>HZ</b>	60//50	<b>PH</b>	3	<b>CL</b>	F
		<b>NOM.EFF.</b>	91.7		
<b>SER.F.</b>	1.00	<b>DES</b>	A	<b>SL HZ</b>	1.3
		<b>WK2</b>	4.9		
<b>FRAME</b>	284T	<b>RATING</b>	40C AMB-CONT		
	NEMA MG-1 PART 5, IP54				
	1.15 SF ON SINE WAVE				

## Parts list

Part number	Description	Quantity
SA392431	SA 10-0000-2030	1.000 ea
RA382987	RA 10-0000-2030	1.000 ea
LB1115N	LABEL,LIFTING DEVICE (ON ROLLS)	1.000 ea
LB1119N	WARNING LABEL	1.000 ea
LC0181	CONNECTION LABEL	1.000 ea
NP0887XPSLEV	SS XP INV UL CSA-EEV CC CL-I GP-D	1.000 ea
85XU0407S04	4X1/4 U DRIVE PIN STAINLESS	2.000 ea
85XU0407S04	4X1/4 U DRIVE PIN STAINLESS	4.000 ea
MN416A01	TAG-INSTAL-MAINT no wire (2100bx)4/22	1.000 ea
LB1073	ALUM XP CAUTION LABEL	1.000 ea
10FH1008A01	310 FAN HOUSING X-PROOF MACH.	1.000 ea
HW1001A31	LOCKWASHER 5/16, ZINC PLT.591 OD, .319 I	3.000 ea
10XN3118K12	5/16-18 X .75 GRADE 5, ZINC PLATED	3.000 ea
09FN3001B02	EXTERNAL FAN, PLASTIC (COMES W/SCREW FRO	1.000 ea
HW2500A25	WOODRUFF KEY USA #1008 #BLOW CARBON STEE	1.000 ea
MJ1000A02	GREASE, POLYREX EM EXXON	0.130 lb
WD4100A03	DE-750 HEYCO PLUG 62MP0750 MICRO PLASTIC	1.000 ea
10EP1701A01	FR ENDPLATE, MACH	1.000 ea
HA3050A03	3/8-16 X 2.25" GRADE 8 BOLT	4.000 ea
HW1001A38	LOCKWASHER 3/8, ZINC PLT .688 OD, .382 I	4.000 ea
HW5100A11	W3917-042 WVY WSHR (WB)	1.000 ea
HW4500A20	1/8NPT SL PIPE PLUG	1.000 ea
HW4500A20	1/8NPT SL PIPE PLUG	1.000 ea
10EP1709A08	PU ENDPLATE, X-PROOF W/LABYRINTH SHAFT G	1.000 ea
HW1001A38	LOCKWASHER 3/8, ZINC PLT .688 OD, .382 I	4.000 ea
HA3050A03	3/8-16 X 2.25" GRADE 8 BOLT	4.000 ea
10XN2520K40	1/4-20 X 2-1/2 HEX HD CAPSCREW,GRADE 5,Z	4.000 ea
HW1001A25	LOCKWASHER 1/4, ZINC PLT .493 OD, .255 I	4.000 ea
HW4500A20	1/8NPT SL PIPE PLUG	1.000 ea
HW4500A20	1/8NPT SL PIPE PLUG	1.000 ea
12CB1001A01	K.O.BOX, MACH X-PROOF, 1.50 NPT HOLE	1.000 ea

10XN3118K16	5/16-18 X 1' GRADE #5, STL, ZINC PLATE	4.000 ea
HW1001A31	LOCKWASHER 5/16, ZINC PLT.591 OD, .319 I	4.000 ea
WD1000B25	GND LUG, BURNDY L125HP OR T&B L125HP-BB	1.000 ea
19XW3118G08	.31-18X.50,HEX WSHR HD,TAPTITE 2,GREEN	1.000 ea
12CB1501A01	COND.BOX LID, MACH., X-PROOF, 310,312	1.000 ea
10XN3816K20	3/8-16 X 1.25 HEX HD CAP GRADE 5	6.000 ea
HW1001A38	LOCKWASHER 3/8, ZINC PLT .688 OD, .382 I	6.000 ea
MG1025G29	WILKOFAS, 789.229, DARK CHARCOAL GRAY	0.125 ga
12PA1000	PACKAGING GROUP PRINT PK1024A07	1.000 ea
HW2501H28	KEY, 1/2 SQ X 3.250	1.000 ea

**AC Induction Motor Performance Data**

Record # 67038

Typical performance - not guaranteed values

Winding: 10WGY561-R013		Type: 1046M	Enclosure: XPFC
<b>Nameplate Data</b>		<b>460 V, 60 Hz: High Voltage Connection</b>	
Rated Output (HP)	15	Full Load Torque	66.5 LB-FT
Volts	230/460	Start Configuration	direct on line
Full Load Amps	42/21	Breakdown Torque	195 LB-FT
R.P.M.	1175	Pull-up Torque	91.4 LB-FT
Hz	60 Phase	Locked-rotor Torque	115 LB-FT
NEMA Design Code	A KVA Code	Starting Current	125 A
Service Factor (S.F.)	1	No-load Current	11.3 A
NEMA Nom. Eff.	91.7 Power Factor	Line-line Res. @ 25°C	0.56099 Ω
Rating - Duty	40C AMB-CONT	Temp. Rise @ Rated Load	49°C
		Locked-rotor Power Factor	32.9
		Rotor inertia	5.63 LB-FT <sup>2</sup>

**Load Characteristics 460 V, 60 Hz, 15 HP**

% of Rated Load	25	50	75	100	125	150
Power Factor	34	54	66	73	76	77
Efficiency	85	90.6	91.8	92	91.5	91.3
Speed	1197	1193	1188.7	1183.9	1179	1177.5
Line amperes	12.2	14.3	17.3	20.8	25.1	26.1



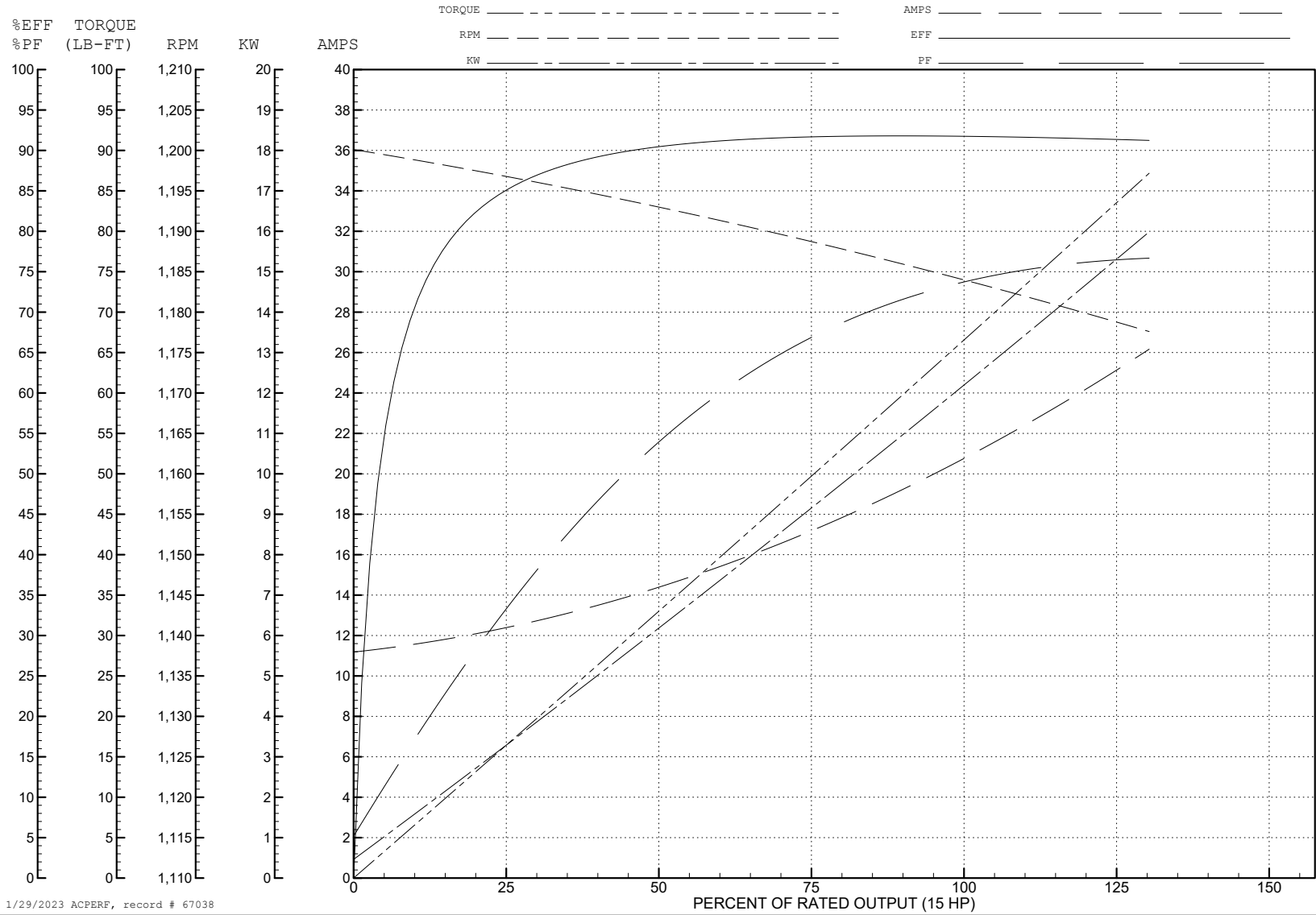
ABB Motors and Mechanical Inc.

WINDING # 10WGY561

Typical performance - not guaranteed values.

15 HP 3 PH 60 HZ 1175 RPM 460 V 1046M

TORQUES (LB-FT): PO=195 PU=91.4 LR=115 LRA=125



1/29/2023 ACPERF, record # 67038

**AC Induction Motor Performance Data**

Record # 75699

Typical performance - not guaranteed values

Winding: 10WGY561-R010		Type: 1046M	Enclosure: XPFC	
<b>Nameplate Data</b>			<b>380 V, 50 Hz: High Voltage Connection</b>	
Rated Output (HP)	15//10	Full Load Torque	53.18 LB-FT	
Volts	230/460//190/380	Start Configuration	direct on line	
Full Load Amps	42/21//36/18	Breakdown Torque	187 LB-FT	
R.P.M.	1175//985	Pull-up Torque	94 LB-FT	
Hz	60//50 Phase	Locked-rotor Torque	118 LB-FT	
NEMA Design Code	A KVA Code	Starting Current	121 A	
Service Factor (S.F.)	1	No-load Current	10.99 A	
NEMA Nom. Eff.	91.7 Power Factor	Line-line Res. @ 25°C	0.502 Ω	
Rating - Duty	40C AMB-CONT	Temp. Rise @ Rated Load	39°C	
S.F. Amps		Temp. Rise @ S.F. Load	45°C	
		Locked-rotor Power Factor	36.5	
		Rotor inertia	5.63 LB-FT <sup>2</sup>	

**Load Characteristics 380 V, 50 Hz, 10 HP**

% of Rated Load	25	50	75	100	125	150
Power Factor	29	48	60	68	73	74
Efficiency	82.5	89	90.8	91.2	90.9	90.9
Speed	998	994	991	987	983	982
Line amperes	11.68	13.26	15.51	18.13	21.4	21.87

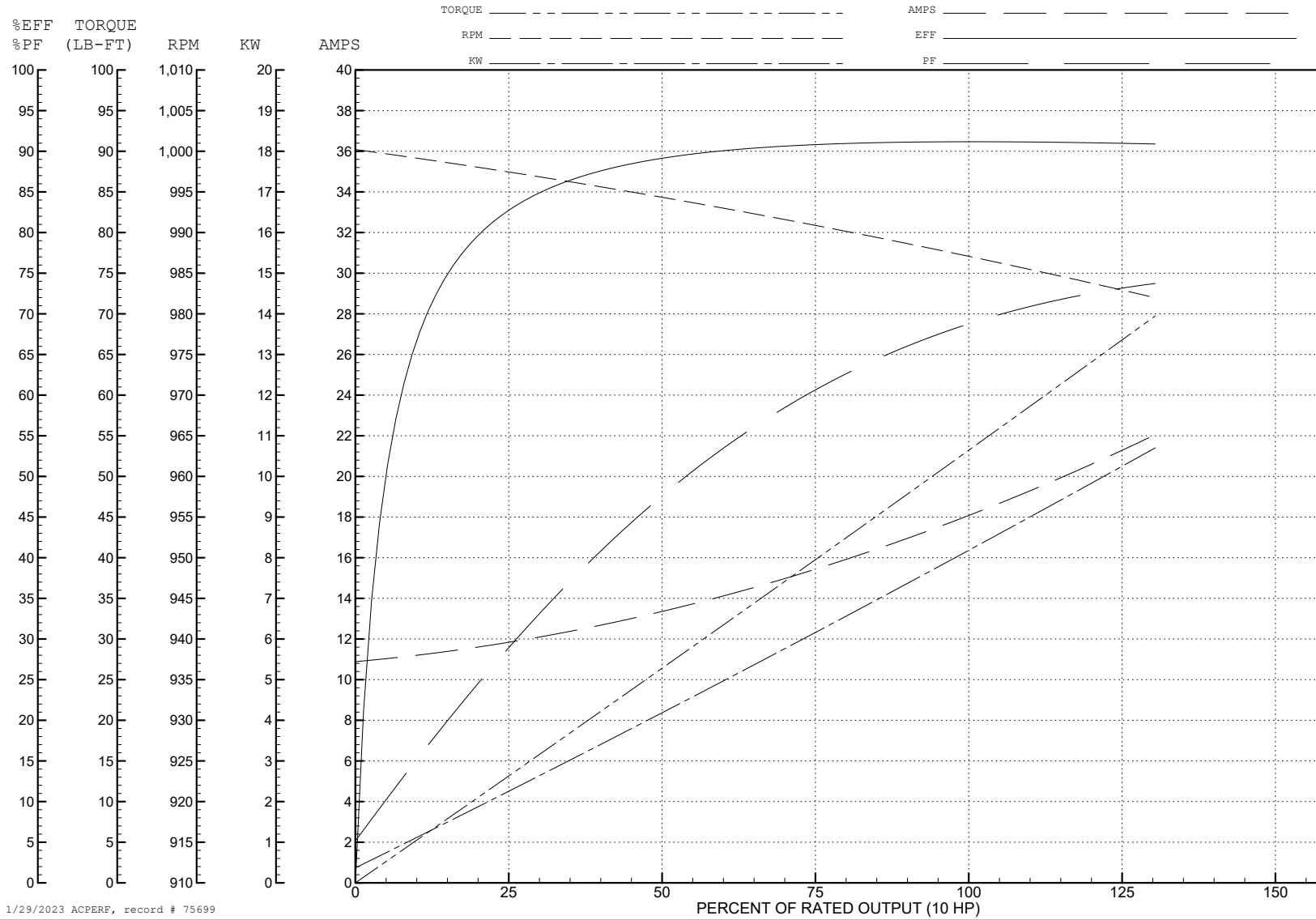
ABB Motors and Mechanical Inc.

WINDING # 10WGY561

10 HP 3 PH 50 HZ 987 RPM 380 V 1046M

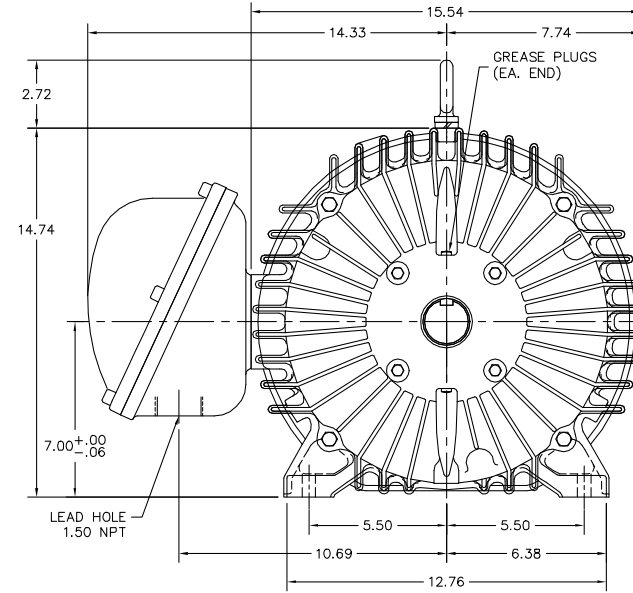
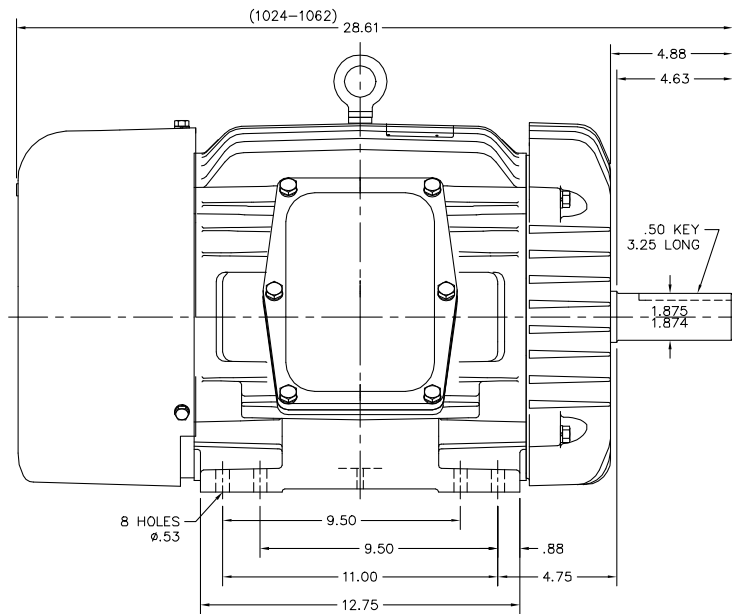
Typical performance - not guaranteed values.

TORQUES (LB-FT): PO=187 PU=94 LR=118 LRA=121



1/29/2023 ACPERF, record # 75699

10LVE106



10LVE106

CUSTOMER IS RESPONSIBLE FOR DETERMINING THAT BALDOR'S PRODUCT WILL PERFORM SUITABLY IN THE INTENDED APPLICATION.

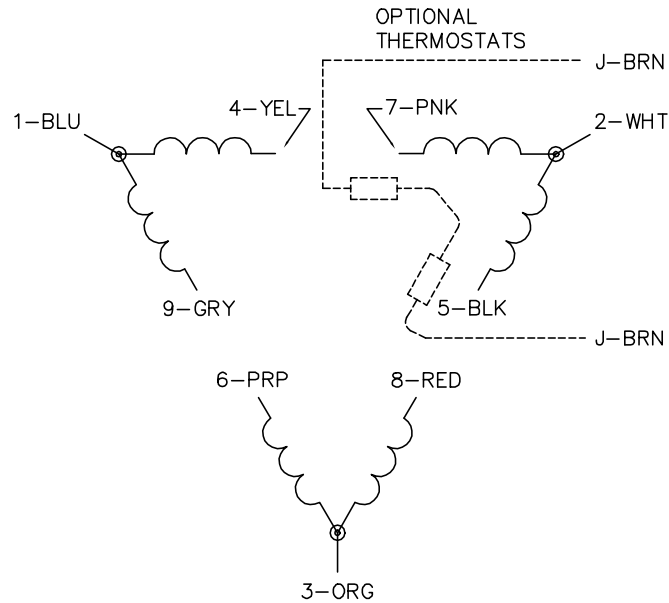
REV. DESC: ADDED 1062 STACK		
REV. LTR: M	VERSION: 04	TDR: 000001123693
FILE: \AAA\00001\944	REVISED: 01:49:53 05/05/2021	BY: USEROLI
MTL: -		

**BALDOR - RELIANCE**®

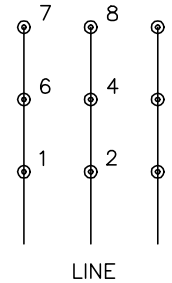
HORZ XPFC 284-6T CL.I GP.D,CL.II GP.F&G

SH 1 of 1

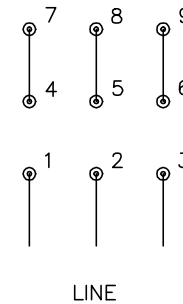
CD0180



LOW VOLTAGE  
(2D)



HIGH VOLTAGE  
(1D)



**NOTES:**

1. INTERCHANGE ANY TWO LINE LEADS TO REVERSE ROTATION.
2. OPTIONAL THERMOSTATS ARE PROVIDED WHEN SPECIFIED.
3. ACTUAL NUMBER OF INTERNAL PARALLEL CIRCUITS MAY BE A MULTIPLE OF THOSE SHOWN ABOVE.
4. LEAD COLORS ARE OPTIONAL. LEADS MUST ALWAYS BE NUMBERED AS SHOWN.

CD0180

REV. DESC: ADD CLASS CONN00000007		
REV. LTR: D	VERSION: 01	TDR: 000001099922
FILE: \AAA\00005\148	REVISED: 10: 25: 29 02/19/2019	BY: ENBRIRO
MTL: -	© □	

**BALDOR - RELIANCE®**

3PH, DV, 9 LEADS, DELTA CONNECTION

SH 1 of 1