



Customer information packet

XM32542T

50//40HP, 1775//1470RPM, 3PH, 60//50HZ, 326T

Class - CLI GP D; CLII GP F,G

Division - Division I

Specifications

Enclosure	XPFC
Frame	326T
Frame Material	Iron
Frequency	50.00 Hz 60.00 Hz
Motor Letter Type	Three Phase
Output @ Frequency	40.000 HP @ 50 HZ 50.000 HP @ 60 HZ
Phase	3
Synchronous Speed @ Frequency	1800 RPM @ 60 HZ
Voltage @ Frequency	380.0 V @ 50 HZ 230.0 V @ 60 HZ 190.0 V @ 50 HZ 460.0 V @ 60 HZ
XP Class and Group	CLI GP D; CLII GP F,G
XP Division	Division I
Agency Approvals	CSA UR CSA EEV
Ambient Temperature	40 °C
Auxillary Box	No Auxillary Box
Auxillary Box Lead Termination	None
Base Indicator	Rigid
Bearing Grease Type	Polyrex EM (-20F +300F)
Blower	None
Constant Torque Speed Range	20
Current @ Voltage	58.000 A @ 460.0 V 56.000 A @ 380.0 V 116.000 A @ 230.0 V 112.000 A @ 190.0 V
Design Code	A
Drip Cover	No Drip Cover

Part detail

Revision	A
Type	AC
Mech. spec.	
Base	
Status	PRD/A
Elec. spec.	12WGY141
Layout	12LYL018
Eff. date	09-15-2022
CD Diagram	CD0180
Poles	04
Leads	9#6
Proprietary	False
Created date	05-12-2021

Duty Rating	CONT
Efficiency @ 100% Load	94.5 %
Electrically Isolated Bearing	Not Electrically Isolated
Feedback Device	NO FEEDBACK
Heater Indicator	No Heater
High Voltage Full Load Amps	56.0 a
Insulation Class	F
Inverter Code	Inverter Duty
IP Rating	NONE
KVA Code	H
Lifting Lugs	Standard Lifting Lugs
Locked Bearing Indicator	Locked Bearing
Max Speed	2700 rpm
Motor Lead Termination	Flying Leads
Motor Standards	NEMA
Motor Type	1272M
Mounting Arrangement	F1
Number of Poles	4
Overall Length	32.00 IN
Power Factor	85
Product Family	General Purpose
Pulley Face Code	Standard
Rodent Screen	None
Service Factor	1.00
Shaft Diameter	2.125 IN
Shaft Ground Indicator	No Shaft Grounding
Shaft Rotation	Reversible
Speed	1775 rpm
Speed Code	Single Speed
Starting Method	Direct on line
Thermal Device - Bearing	None
Thermal Device - Winding	Normally Closed Thermostat
Vibration Sensor Indicator	No Vibration Sensor
Winding Thermal 1	None

Winding Thermal 2

None

XP Temp Code

T3C

Nameplate

NP0887XPSLEV										
NO.		CC	010A							
S/N		TEMP CODE	T3C							
SPEC.	12-0000-2168		INV.TYPE	PWM						
CAT.NO.	XM32542T		C HP FR	60	C HP TO	90				
HP	50//40		CT HZ FROM	20	CT HZ TO	60				
VOLTS	230/460//190/380		VT HZ FROM	6	VT HZ TO	60				
AMPS	116/58//112/56		MAG CUR	19.8//19.46						
RPM	1775//1470		MX RPM	2700						
HZ	60//50	PH	3	CL	F	NOM.EFF.	94.5			
SER.F.	1.00	DES	A	SL HZ	0.8	WK2	9.59			
FRAME	326T	RATING	40C AMB-CONT							
	NEMA MG-1 PART 5, IP54									
	1.15 SF ON SINE WAVE									

Parts list

Part number	Description	Quantity
SA393550	SA 12-0000-2168	1.000 ea
RA384203	RA 12-0000-2168	1.000 ea
LB1115N	LABEL,LIFTING DEVICE (ON ROLLS)	1.000 ea
LB1119N	WARNING LABEL	1.000 ea
LC0181	CONNECTION LABEL	1.000 ea
NP0887XPSLEV	SS XP INV UL CSA-EEV CC CL-I GP-D	1.000 ea
85XU0407S04	4X1/4 U DRIVE PIN STAINLESS	4.000 ea
85XU0407S04	4X1/4 U DRIVE PIN STAINLESS	2.000 ea
MN416A01	TAG-INSTAL-MAINT no wire (2100bx)4/22	1.000 ea
LB1073	ALUM XP CAUTION LABEL	1.000 ea
12FH1001A01	FAN HOUSING 312 EXPLOSION PROOF MOTORS	1.000 ea
HW1001A31	LOCKWASHER 5/16, ZINC PLT.591 OD, .319 I	3.000 ea
10XN3118K12	5/16-18 X .75 GRADE 5, ZINC PLATED	3.000 ea
09FN3001C03	EXTERNAL FAN, PLASTIC (COMES W/SCREW FRO	1.000 ea
HW2500A25	WOODRUFF KEY USA #1008 #BLOW CARBON STEE	1.000 ea
MJ1000A02	GREASE, POLYREX EM EXXON	0.200 lb
12EP1705A01	ENDPLATE, MACH. 312 - EXPLOSION PROOF 31	1.000 ea
HA3051A03	1/2-13X2.75 BLT GR8 1.75 TO E NC F/S	4.000 ea
HW1001A50	LOCKWASHER 1/2, ZINC PLT,.879 OD, .509 I	4.000 ea
HW5100A13	W4627-047 WVY WSHER	1.000 ea
HW4500A20	1/8NPT SL PIPE PLUG	1.000 ea
HW4500A20	1/8NPT SL PIPE PLUG	1.000 ea
12EP1706A01	ENDPLATE, MACH. 312 - EXPLOSION PROOF 31	1.000 ea
HW1001A50	LOCKWASHER 1/2, ZINC PLT,.879 OD, .509 I	4.000 ea
HA3051A03	1/2-13X2.75 BLT GR8 1.75 TO E NC F/S	4.000 ea
10XN3118K40	5/16-18 X 2.75" HEX HD, GRADE 5	4.000 ea
HW1001A31	LOCKWASHER 5/16, ZINC PLT.591 OD, .319 I	4.000 ea
HW4500A20	1/8NPT SL PIPE PLUG	1.000 ea
HW4500A20	1/8NPT SL PIPE PLUG	1.000 ea
12CB1001A01	K.O.BOX, MACH X-PROOF, 1.50 NPT HOLE	1.000 ea
10XN3118K16	5/16-18 X 1' GRADE #5, STL, ZINC PLATE	4.000 ea

HW1001A31	LOCKWASHER 5/16, ZINC PLT.591 OD, .319 I	4.000 ea
WD1000B25	GND LUG, BURNDY L125HP OR T&B L125HP-BB	1.000 ea
19XW3118G08	.31-18X.50,HEX WSHR HD,TAPTITE 2,GREEN	1.000 ea
12CB1501A01	COND.BOX LID, MACH., X-PROOF, 310,312	1.000 ea
10XN3816K20	3/8-16 X 1.25 HEX HD CAP GRADE 5	6.000 ea
HW1001A38	LOCKWASHER 3/8, ZINC PLT .688 OD, .382 I	6.000 ea
MG1025G29	WILKOFAST, 789.229, DARK CHARCOAL GRAY	0.125 ga
14PA1000	PACKAGING 314 GROUP COMBINED PRINT	1.000 ea
HW2501H33	KEY, 1/2 SQ X 3.875	1.000 ea

AC Induction Motor Performance Data

Record # 42428

Typical performance - not guaranteed values

Winding: 12WGY141-R020		Type: 1272M		Enclosure: XPFC		
Nameplate Data			460 V, 60 Hz: High Voltage Connection			
Rated Output (HP)	50//40		Full Load Torque	147 LB-FT		
Volts	230/460//190/380		Start Configuration	direct on line		
Full Load Amps	116/58//112/56		Breakdown Torque	396 LB-FT		
R.P.M.	1775//1470		Pull-up Torque	183 LB-FT		
Hz	60//50	Phase	3	Locked-rotor Torque	254 LB-FT	
NEMA Design Code	A		KVA Code	G	Starting Current	397 A
Service Factor (S.F.)	1			No-load Current	19.8 A	
NEMA Nom. Eff.	94.5	Power Factor	85	Line-line Res. @ 25°C	0.10889 Ω	
Rating - Duty	40C AMB-CONT			Temp. Rise @ Rated Load	64°C	
				Locked-rotor Power Factor	26	
				Rotor inertia	9.59 LB-FT ²	

Load Characteristics 460 V, 60 Hz, 50 HP

% of Rated Load	25	50	75	100	125	150
Power Factor	53	74	83	86	87	87
Efficiency	91.3	94.3	94.8	94.6	94	93.1
Speed	1794.5	1789.3	1783.5	1777.5	1770.7	1761.5
Line amperes	24.2	33.5	44.7	57.6	71.5	90

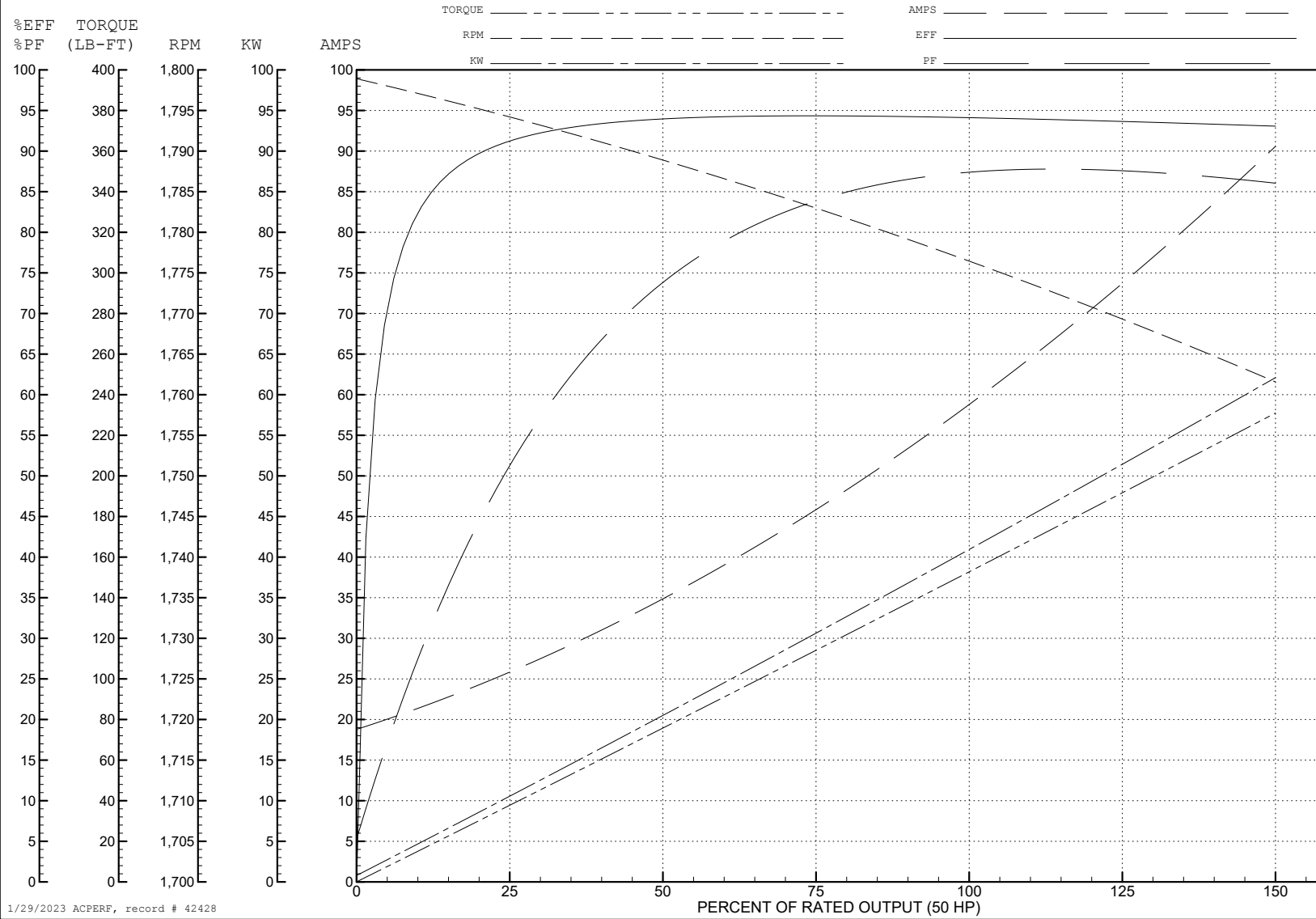
ABB Motors and Mechanical Inc.

WINDING # 12WGY141

Typical performance - not guaranteed values.

50 HP 3 PH 60 HZ 1777.5 RPM 460 V 1272M

TORQUES (LB-FT): PO=396 PU=183 LR=254 LRA=397



1/29/2023 ACPERF, record # 42428

AC Induction Motor Performance Data

Record # 42429

Typical performance - not guaranteed values

Winding: 12WGY141-R020		Type: 1272M		Enclosure: XPFC	
Nameplate Data			380 V, 50 Hz: High Voltage Connection		
Rated Output (HP)	50//40	Full Load Torque	141 LB-FT		
Volts	230/460//190/380	Start Configuration	direct on line		
Full Load Amps	116/58//112/56	Breakdown Torque	383 LB-FT		
R.P.M.	1775//1470	Pull-up Torque	192 LB-FT		
Hz	60//50	Phase	3	Locked-rotor Torque	267 LB-FT
NEMA Design Code	A	KVA Code	G	Starting Current	389 A
Service Factor (S.F.)	1	No-load Current	19.5 A		
NEMA Nom. Eff.	94.5	Power Factor	85	Line-line Res. @ 25°C	0.107 Ω
Rating - Duty	40C AMB-CONT		Temp. Rise @ Rated Load	60°C	
S.F. Amps			Temp. Rise @ S.F. Load	74°C	
		Locked-rotor Power Factor	29		
		Rotor inertia	9.59 LB-FT ²		

Load Characteristics 380 V, 50 Hz, 40 HP

% of Rated Load	25	50	75	100	125	150
Power Factor	52	74	83	86	87	87
Efficiency	90	93.7	93.7	93.5	93.2	92.2
Speed	1495	1490	1484	1479	1472	1464
Line amperes	23.7	32.7	43.6	56.1	69.6	87.7

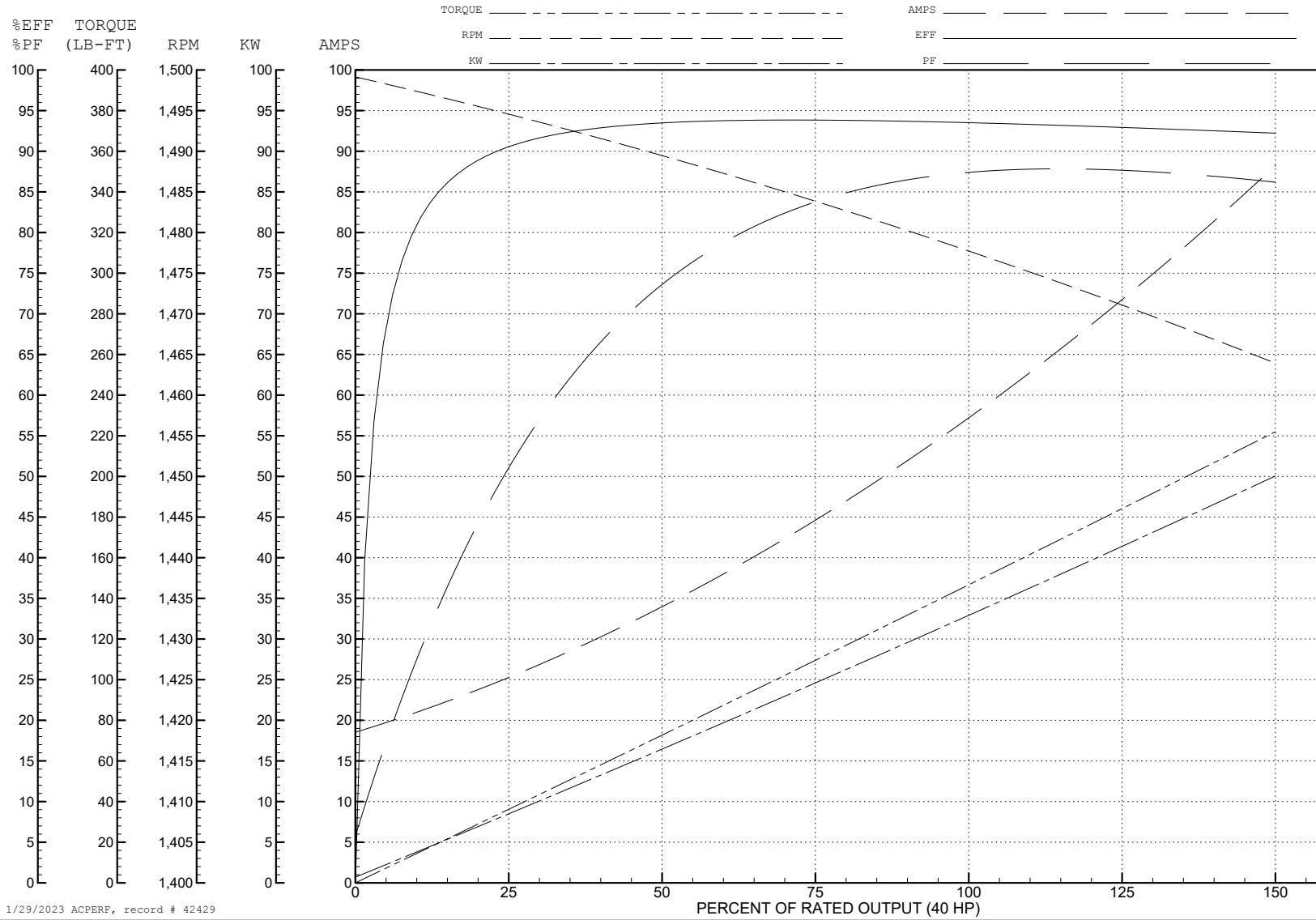
ABB Motors and Mechanical Inc.

WINDING # 12WGY141

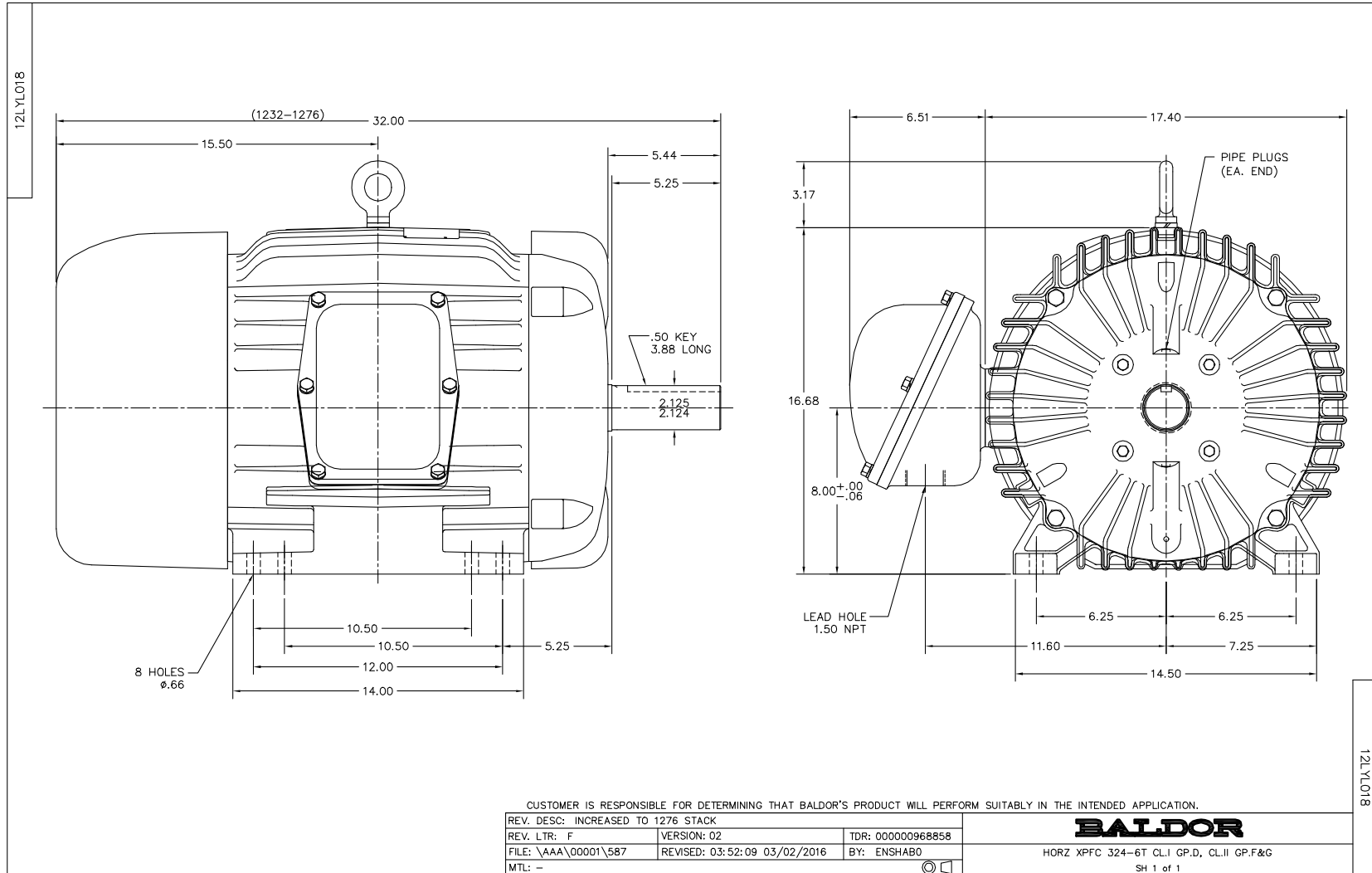
Typical performance - not guaranteed values.

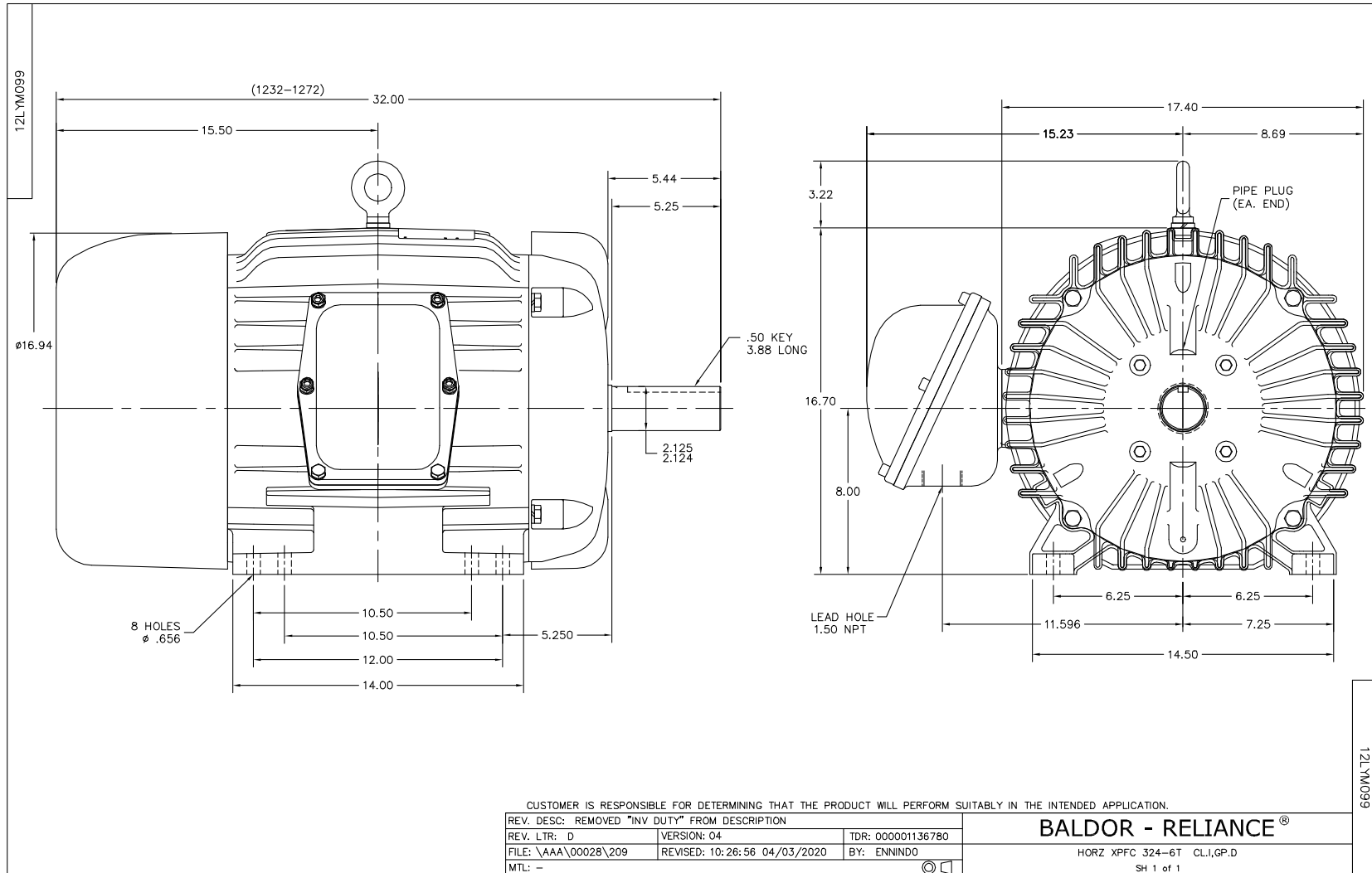
40 HP 3 PH 50 HZ 1479 RPM 380 V 1272M

TORQUES (LB-FT): PO=383 PU=192 LR=267 LRA=389



1/29/2023 ACPERF, record # 42429



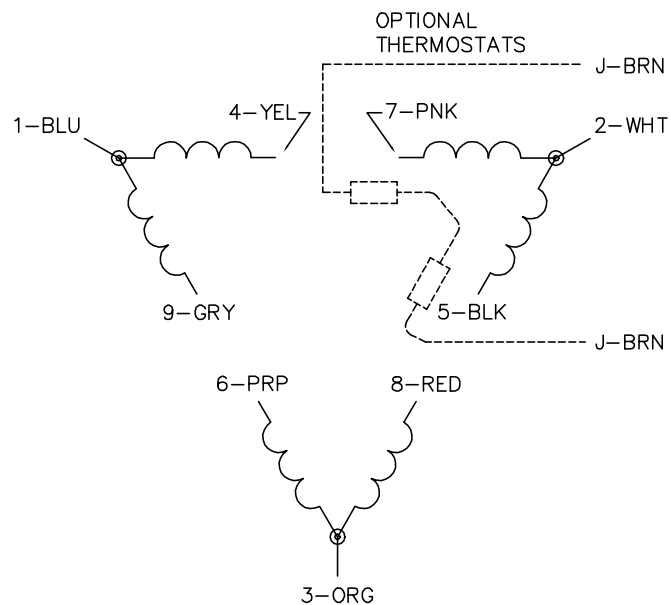


CUSTOMER IS RESPONSIBLE FOR DETERMINING THAT THE PRODUCT WILL PERFORM SUITABLY IN THE INTENDED APPLICATION.

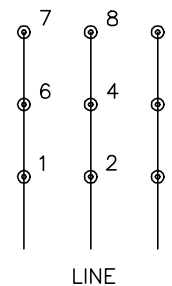
REV. DESC: REMOVED "INV DUTY" FROM DESCRIPTION	VERSION: 04	TDR: 000001136780
REV. LTR: D	REVISED: 10:26:56 04/03/2020	BY: ENNINDO
FILE: \AAA\00028\209	MTL: -	

BALDOR - RELIANCE[®]
 HORZ XPFC 324-6T CL.I,GP.D
 SH 1 of 1

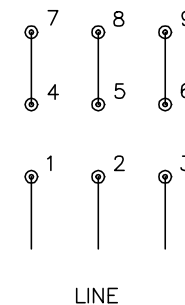
CD0180



LOW VOLTAGE
(2D)



HIGH VOLTAGE
(1D)



NOTES:

1. INTERCHANGE ANY TWO LINE LEADS TO REVERSE ROTATION.
2. OPTIONAL THERMOSTATS ARE PROVIDED WHEN SPECIFIED.
3. ACTUAL NUMBER OF INTERNAL PARALLEL CIRCUITS MAY BE A MULTIPLE OF THOSE SHOWN ABOVE.
4. LEAD COLORS ARE OPTIONAL. LEADS MUST ALWAYS BE NUMBERED AS SHOWN.

CD0180

REV. DESC: ADD CLASS CONN00000007		
REV. LTR: D	VERSION: 01	TDR: 000001099922
FILE: \AAA\00005\148	REVISED: 10: 25: 29 02/19/2019	BY: ENBRIRO
MTL: -	© □	

BALDOR - RELIANCE®

3PH, DV, 9 LEADS, DELTA CONNECTION

SH 1 of 1