

BALDOR® • RELIANCE 

Product Information Packet

XT3016T-5

1HP,1160RPM,3PH,60HZ,145T,0526M,TEFC,F1

| Part Detail | | | | | | | |
|-------------|----|-------------|--------------|-------------|--------|---------------|------------|
| Revision: | - | Status: | PRD/A | Change #: | | Proprietary: | No |
| Type: | AC | Elec. Spec: | 05WGX083 | CD Diagram: | CD0006 | Mfg Plant: | |
| Mech. Spec: | | Layout: | 05LY-000-377 | Poles: | 06 | Created Date: | 05-26-2021 |
| Base: | | Eff. Date: | 07-01-2021 | Leads: | 3#18 | | |

| Specs | | | |
|---------------------------------|-------------------------|---------------------------|--------------------|
| Catalog Number: | XT3016T-5 | Feedback Device: | NO FEEDBACK |
| Enclosure: | TEFC | Heater Indicator: | No Heater |
| Frame: | 145T | Insulation Class: | F |
| Frame Material: | Iron | Inverter Code: | Inverter Duty |
| Motor Letter Type: | Three Phase | IP Rating: | NONE |
| Output @ Frequency: | 1.000 HP @ 60 HZ | KVA Code: | K |
| Synchronous Speed @ Frequency: | 1200 RPM @ 60 HZ | Lifting Lugs: | No Lifting Lugs |
| Voltage @ Frequency: | 575.0 V @ 60 HZ | Locked Bearing Indicator: | No Locked Bearing |
| XP Class and Group: | CLI GP A,B,C,D | Motor Lead Termination: | Flying Leads |
| XP Division: | Division II | Motor Type: | 0526M |
| Agency Approvals: | CCSA US | Mounting Arrangement: | F1 |
| | CSA EEV | Power Factor: | 63 |
| | NEMA PREMIUM | Product Family: | General Purpose |
| | UR | Pulley Face Code: | Standard |
| Auxillary Box: | No Auxillary Box | Rodent Screen: | None |
| Auxillary Box Lead Termination: | None | Shaft Ground Indicator: | No Shaft Grounding |
| Base Indicator: | Rigid | Shaft Rotation: | Reversible |
| Bearing Grease Type: | Polyrex EM (-20F +300F) | Speed Code: | Single Speed |

| | | | |
|---------------------------------------|---------------------------|------------------------------------|---------------------|
| Blower: | None | Motor Standards: | NEMA |
| Constant Torque Speed Range: | 3 | Starting Method: | Direct on line |
| Current @ Voltage: | 1.400 A @ 575.0 V | Thermal Device - Bearing: | None |
| Design Code: | B | Thermal Device - Winding: | None |
| Drip Cover: | No Drip Cover | Vibration Sensor Indicator: | No Vibration Sensor |
| Duty Rating: | CONT | Winding Thermal 1: | None |
| Electrically Isolated Bearing: | Not Electrically Isolated | Winding Thermal 2: | None |
| | | XP Temp Code: | T4 |

| Nameplate NP4224L | | | | | | | | | | |
|----------------------|--------------|-----|-----------------|----------------|--------------|---------|----|---------------|----|----|
| CAT.NO. | XT3016T-5 | | | | I.P. | 54 | | | | |
| SPEC. | 05-0000-0994 | | | | ENCL | TEFC | | | | |
| FRAME | 145T | | H.P. | 1 | | T. CODE | T4 | | | |
| VOLTS | 575 | | | P.F. | 63 | | | | | |
| F.L. AMPS | 1.4 | | | RATING | 40C AMB-CONT | | | | | |
| R.P.M. | 1160 | | | USABLE AT 208V | | | | | | |
| HZ. | 60 | | PH. | 3 | | CLASS | F | | | |
| SER.F. | 1.00 | | DES. | B | | SL HZ | 2 | | | |
| NEMA NOM. EFF. | 82.5 | | W _{K2} | 0.16 | | | | | | |
| DE | 6205 | | ODE | 6203 | | | | | | |
| MAG. CUR. | 1 | | | | | | | | | |
| INV TYPE | PWM | CHP | 60 | | TO | 90 | | INV TEMP CODE | T4 | |
| CT | 3 | | TO | 60 | | VT | 3 | | TO | 60 |
| CC | 010A | | SN | | | | | | | |
| 1.15 SF ON SINE WAVE | | | | | | | | | | |
| | | | | | | | | | | |

| Parts List | | |
|---------------|--|----------|
| Part Number | Description | Quantity |
| SA395026 | SA 05-0000-0994 | 1.000 EA |
| RA385745 | RA 05-0000-0994 | 1.000 EA |
| LB1115N | LABEL,LIFTING DEVICE (ON ROLLS) | 1.000 EA |
| LB1119N | WARNING LABEL | 1.000 EA |
| LC0006 | CONNECTION LABEL | 1.000 EA |
| LB1449 | DIV-2/NEC WARNING LABEL | 1.000 EA |
| NP4224L | SS CP INV DIV-2 UL CSA-C US EEV PREM, DI | 1.000 EA |
| 85XU0407S04 | 4X1/4 U DRIVE PIN STAINLESS | 2.000 EA |
| MN416A01 | TAG-INSTAL-MAINT no wire (2200bx) 4/22 | 1.000 EA |
| HW3201A05 | 3/8-16 EYEBOLT | 1.000 EA |
| 35FH4005A32SP | IEC FH NO GRSSR W/3 HOLES - PRIMED | 1.000 EA |
| 51XW1032A06 | 10-32 X .38, TAPTITE II, HEX WSHR SLTD S | 3.000 EA |
| 35FN3002A05SP | EXFN, PLASTIC, 6.376 OD, .638 ID | 1.000 EA |
| 51XB1214A16 | 12-14X1.00 HXWSSLD SERTYB | 1.000 EA |
| MJ1000A02 | GREASE, POLYREX EM EXXON | 0.050 LB |
| HA3100A37 | THRUBOLT 10-32 X 8.500 | 4.000 EA |
| XY1032A02 | 10-32 HEX NUT DIRECTIONAL SERRATION | 4.000 EA |
| 35EP3122K00 | MASTER ODE,203 BRG,.683SH,#26 DRN,FH MTG | 1.000 EA |
| HW4600B39SP | V-RING SLINGER 0.550 X 0.790 X .18 VITON | 1.000 EA |
| HW5100A03 | WAVY WASHER (W1543-017) | 1.000 EA |
| HA4067A01 | PUSH IN DRAIN FITTING (BLACK) | 1.000 EA |
| 35EP3123A00 | MASTER DE,205 BRG,.998SH,#26 DRN | 1.000 EA |
| HW4600B32SP | V-RING SLINGER 1.000 X 1.540 X .24 VITON | 1.000 EA |
| HA4067A01 | PUSH IN DRAIN FITTING (BLACK) | 1.000 EA |

| Parts List (continued) | | |
|-------------------------------|--|-----------------|
| Part Number | Description | Quantity |
| 06CB3000 | BALDOR CONDUIT BOX CAST | 1.000 EA |
| 06GS1000 | GASKET,CONDUIT BOX | 1.000 EA |
| 51XW2520A12 | SCREW, HEX SER SLT HD, ZN, 1/4-20 X .75 | 2.000 EA |
| 11XW1032G06 | 10-32 X .38, TAPTITE II, HEX WSHR SLTD U | 1.000 EA |
| HW3001B02 | BRASS CUP WASHER W/GROUND SYMBOL TAB, | 1.000 EA |
| 06CB3500 | BALDOR CONDUIT BOX LID | 1.000 EA |
| 06GS1001 | BALDOR CONDUIT BOX GASKET | 1.000 EA |
| 51XW2520A12 | .25-20 X .75, TAPTITE II, HEX WSHR SLTD | 2.000 EA |
| MG1025L14 | WILKOFASST, 776.14, GRUNDFOS BLACK | 0.125 GA |
| 36PA1000 | PKG GRP, PRINT PK1016A06 | 1.000 EA |
| HW2501D13 | KEY, 3/16 SQ X 1.375 | 1.000 EA |
| HA7000A01 | KEY RETAINER 7/8" DIA SHAFT | 1.000 EA |
| FE-0000001 | ZRTG FE ASSEMBLY | 1.000 EA |
| PE-0000001 | ZRTG PE ASSEMBLY | 1.000 EA |

AC Induction Motor Performance Data

Record # 46216

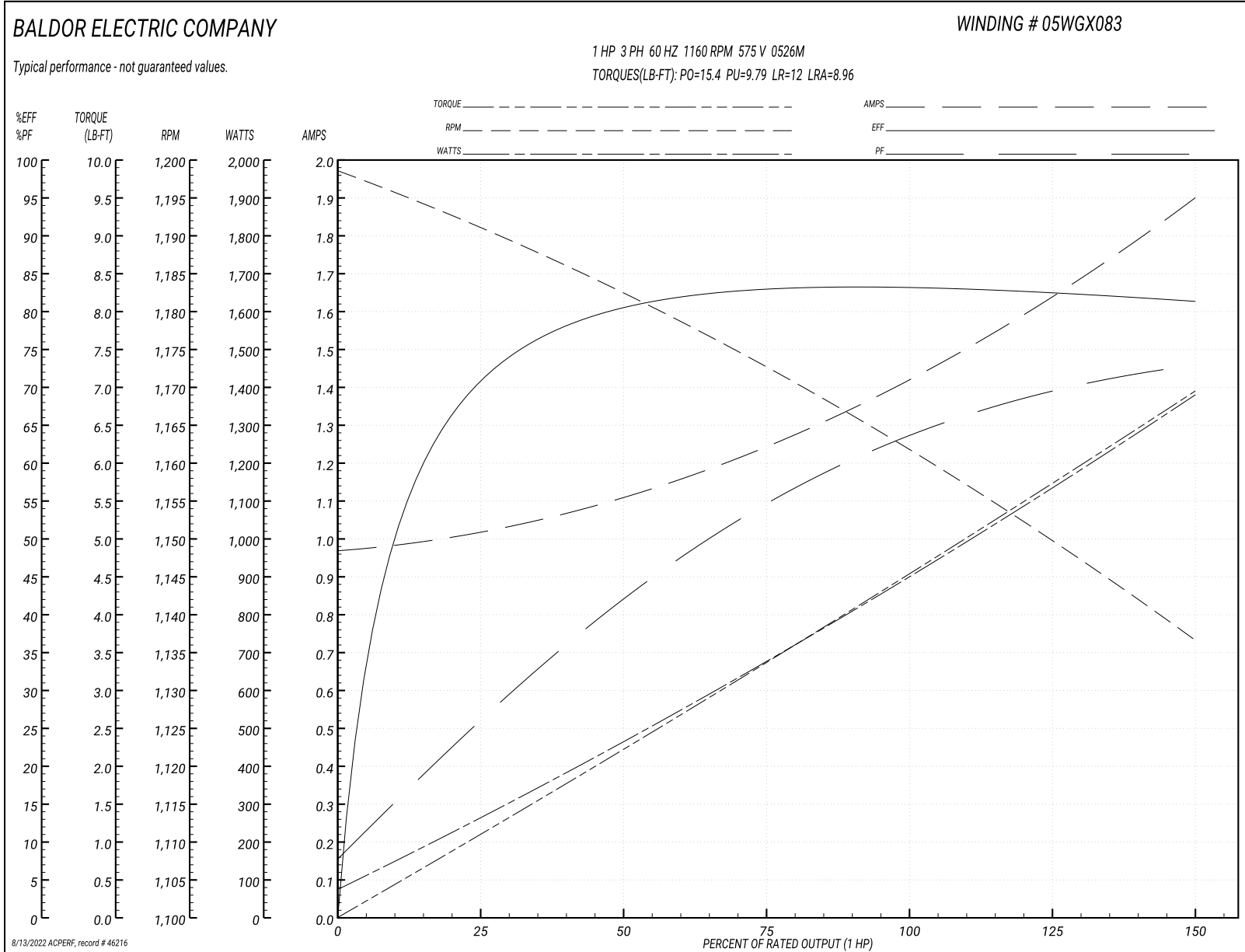
Typical performance - not guaranteed values

| Winding: 05WGX083-R001 | | Type: 0526M | | Enclosure: XPFC | |
|-------------------------------|--------------|--------------------------------|---|------------------------|--|
| Nameplate Data | | | 575 V, 60 Hz: Single Voltage Motor | | |
| Rated Output (HP) | 1 | Full Load Torque | 4.48 LB-FT | | |
| Volts | 575 | Start Configuration | direct on line | | |
| Full Load Amps | 1.4 | Breakdown Torque | 15.4 LB-FT | | |
| R.P.M. | 1160 | Pull-up Torque | 9.79 LB-FT | | |
| Hz | 60 | Locked-rotor Torque | 12 LB-FT | | |
| NEMA Design Code | B | Starting Current | 8.96 A | | |
| Service Factor (S.F.) | 1 | No-load Current | 0.972 A | | |
| NEMA Nom. Eff. | 82.5 | Line-line Res. @ 25°C | 24.8 Ω | | |
| Rating - Duty | 40C AMB-CONT | Temp. Rise @ Rated Load | 30°C | | |
| | | Rotor inertia | 0.155 LB-FT ² | | |

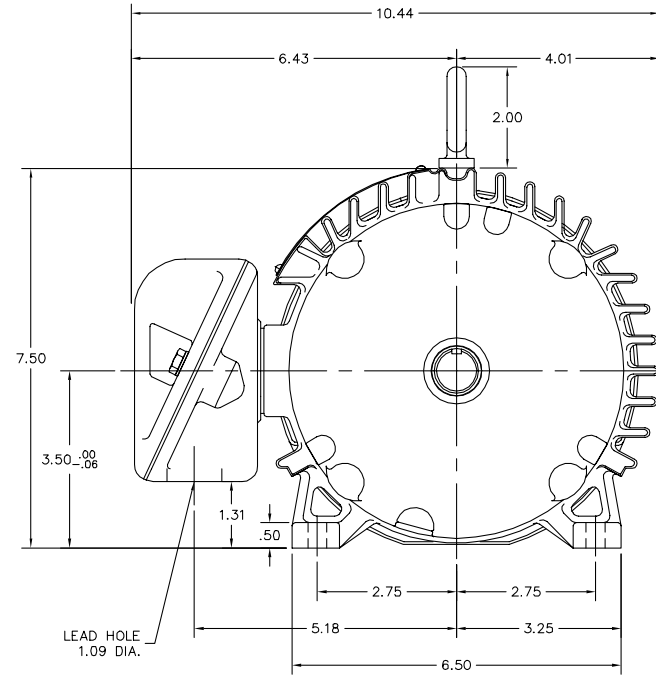
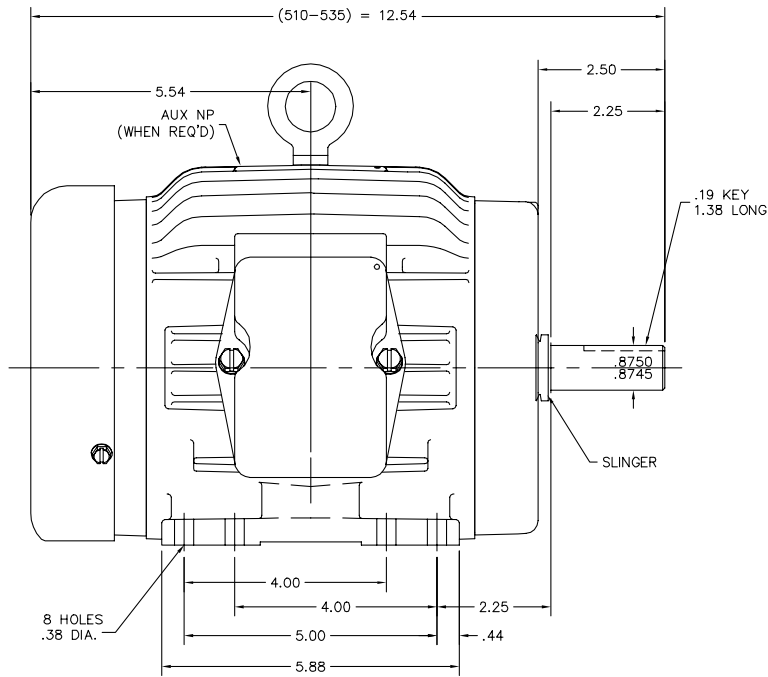
Load Characteristics 575 V, 60 Hz, 1 HP

| % of Rated Load | 25 | 50 | 75 | 100 | 125 | 150 |
|------------------------|-----------|-----------|-----------|------------|------------|------------|
| Power Factor | 26 | 42 | 55 | 63 | 69 | 73 |
| Efficiency | 69.5 | 80.2 | 83 | 83.5 | 82.7 | 81.2 |
| Speed | 1191 | 1182 | 1172 | 1163 | 1151 | 1136 |
| Line amperes | 1.01 | 1.11 | 1.25 | 1.41 | 1.63 | 1.9 |

Performance Graph at 575V, 60Hz, 1.0HP Typical performance - Not guaranteed values



05LY-000-377



CUSTOMER IS RESPONSIBLE FOR DETERMINING THAT THE PRODUCT WILL PERFORM SUITABLY IN THE INTENDED APPLICATION.

| | | |
|----------------------|------------------------------|-------------------|
| REV. DESC: NEW | VERSION: 00 | TDR: 000001146643 |
| REV. LTR: - | REVISED: 01:59:08 09/09/2020 | BY: ENROBRO |
| FILE: \AAA\00255\663 | | |
| MTL: - | | |

BALDOR - RELIANCE[®]
 HORZ TEFC 143-5T 305M W/SEALED BRGS
 SH 1 of 1

05LY-000-377

CD0006



NOTES:

1. THREE LEAD MOTOR MAY BE EITHER WYE CONNECTED OR DELTA CONNECTED.
2. INTERCHANGE ANY TWO LINE LEADS TO REVERSE ROTATION.
3. OPTIONAL THERMOSTATS ARE PROVIDED WHEN SPECIFIED.
4. ACTUAL NUMBER OF INTERNAL PARALLEL CIRCUITS MAY VARY.
5. LEAD COLORS ARE OPTIONAL. LEADS MUST BE NUMBERED AS SHOWN.

CD0006

| | | |
|-----------------------------------|------------------------------|-------------------|
| REV. DESC: ADD CLASS CONN00000007 | | |
| REV. LTR: E | VERSION: 01 | TDR: 000001099922 |
| FILE: \AAA\00005\141 | REVISED: 10:24:49 02/19/2019 | BY: ENBRIRO |
| MTL: - | © □ | |

BALDOR - RELIANCE®

3PH, SV, 3 LEADS, WYE OR DELTA CONNECTED

SH 1 of 1

Marketing maintained PDF of MN416:

<http://www.baldor.com/support/Literature/Load.ashx/MN416?ManNumber=MN416>