

BALDOR® • RELIANCE 

Product Information Packet

XT3076T

7.5HP, 1180RPM, 3PH, 60HZ, 254T, 0954M, TEFC, F

Part Detail							
Revision:	H	Status:	PRD/A	Change #:		Proprietary:	No
Type:	AC	Elec. Spec:	09WGT564	CD Diagram:	CD0005	Mfg Plant:	
Mech. Spec:		Layout:	09LY-001-224	Poles:	06	Created Date:	08-04-2020
Base:		Eff. Date:	02-28-2022	Leads:	9#12		

Specs			
Catalog Number:	XT3076T	Electrically Isolated Bearing:	Not Electrically Isolated
Enclosure:	TEFC	Feedback Device:	NO FEEDBACK
Frame:	254T	Heater Indicator:	No Heater
Frame Material:	Iron	Insulation Class:	F
Motor Letter Type:	Three Phase	Inverter Code:	Inverter Duty
Output @ Frequency:	7.500 HP @ 60 HZ	IP Rating:	NONE
Synchronous Speed @ Frequency:	1200 RPM @ 60 HZ	KVA Code:	H
Voltage @ Frequency:	230.0 V @ 60 HZ	Lifting Lugs:	Standard Lifting Lugs
	460.0 V @ 60 HZ	Locked Bearing Indicator:	Locked Bearing
XP Class and Group:	CLI GP A,B,C,D	Motor Lead Termination:	Flying Leads
XP Division:	Division II	Motor Type:	0954M
Agency Approvals:	CCSA US	Mounting Arrangement:	F1
	CSA EEV	Power Factor:	71
	UR	Product Family:	General Purpose
Auxillary Box:	No Auxillary Box	Pulley Face Code:	Standard
Auxillary Box Lead Termination:	None	Rodent Screen:	None
Base Indicator:	Rigid	Shaft Ground Indicator:	No Shaft Grounding
Bearing Grease Type:	Polyrex EM (-20F +300F)	Shaft Rotation:	Reversible

Blower:	None	Speed Code:	Single Speed
Constant Torque Speed Range:	1	Motor Standards:	NEMA
Current @ Voltage:	22.000 A @ 208.0 V	Starting Method:	Direct on line
	21.000 A @ 230.0 V	Thermal Device - Bearing:	None
	10.500 A @ 460.0 V	Thermal Device - Winding:	None
Design Code:	B	Vibration Sensor Indicator:	No Vibration Sensor
Drip Cover:	No Drip Cover	Winding Thermal 1:	None
Duty Rating:	CONT	Winding Thermal 2:	None
		XP Temp Code:	T3C

Nameplate NP4163L				
CAT.NO.	XT3076T		I.P.	54
SPEC.	09-0000-2514		ENCL	TEFC
FRAME	254T	H.P.	7.5	
VOLTS	230/460	P.F.	71	
F.L. AMPS	21/10.5		RATING 40C AMB-CONT	
R.P.M.	1180	USABLE AT 208V		22
HZ.	60	PH.	3	CLASS F
SER.F.	1.15	DES.	B	SL HZ 1
NEMA NOM. EFF.	91	WKT	4.34	
DE	6309	ODE	6208	
MAG. CUR.	10.8/5.4			
INV TYPE	PWM	CHP	60	TO 90
CT	1	TO	60	VT O
CC	010A	SN		
USABLE AT 50HZ 5HP 190/380V				
18/9A SF1.0				

Parts List		
Part Number	Description	Quantity
SA384803	SA 09-0000-2514	1.000 EA
RA375032	RA 09-0000-2514	1.000 EA
LB1115N	LABEL,LIFTING DEVICE (ON ROLLS)	1.000 EA
LC0005E01	SPL CONN.DIA./WARN.LABEL(LC0005/LB1119)	1.000 EA
LB1449	DIV-2/NEC WARNING LABEL	1.000 EA
NP4163L	SS CP INV DIV-2 UL CSA-C US EEV PREM, DI	1.000 EA
85XU0407S04	4X1/4 U DRIVE PIN STAINLESS	2.000 EA
MN416A01	TAG-INSTAL-MAINT no wire (2200bx) 4/22	1.000 EA
HW3201A01	1/2-13 EYEBOLT	1.000 EA
HW1002A63	WASHER, 5/8 HI-COLLAR SPRLCKWASHER	1.000 EA
LD7020D09	LEAD SET, 12AWG, 9 LEAD, 20" LONG LEADS	1.000 EA
09FH4000SP	309 FH - BLACK PRIMER	1.000 EA
HW1001A38	LOCKWASHER 3/8, ZINC PLT .688 OD, .382 I	4.000 EA
XY3816A12	3/8-16 FINISHED NUT	4.000 EA
09FN3001D01SP	EXTERNAL FAN, PLASTIC (COMES W/SCREW FRO	1.000 EA
HW2500A25	WOODRUFF KEY USA #1008 #BLOW CARBON STEE	1.000 EA
MJ1000A02	GREASE, POLYREX EM EXXON	0.080 LB
09EP1100A196	ENDPLATE, MACH	1.000 EA
HA3400A33	STUD- 3/8-16 X 4.96 HEX	4.000 EA
HW1001A38	LOCKWASHER 3/8, ZINC PLT .688 OD, .382 I	4.000 EA
HW5100A08	W3118-035 WVY WSHR (WB)	1.000 EA
HA4066A01	PUSH IN T-DRAIN FITTING (BLACK)	1.000 EA
09EP1101A168	PU ENDPLATE, MACH W/NO GREASER HOLES	1.000 EA
HW1001A38	LOCKWASHER 3/8, ZINC PLT .688 OD, .382 I	4.000 EA

Parts List (continued)		
Part Number	Description	Quantity
10XN3816K28	3/8-16 X 1.75 HEX HD CAP SCREW, GRADE 5	4.000 EA
HW4600B44	V-RING SLINGER 1.500 X 1.810 X .28 VITON	1.000 EA
HW4600B44	V-RING SLINGER 1.500 X 1.810 X .28 VITON	1.000 EA
10XN2520K36	1/4-20 X 2.25" HX HD SCRWGRADE 5, ZINC P	4.000 EA
HW1001A25	LOCKWASHER 1/4, ZINC PLT .493 OD, .255 I	4.000 EA
HA4066A01	PUSH IN T-DRAIN FITTING (BLACK)	1.000 EA
09CB3002A10	CB MACH 1.38 DIA. LEAD HOLE 2.38 MTG	1.000 EA
09GS1000SP	GASKET-CONDUIT BOX, 1/16 THICK LEXIDE	1.000 EA
51XW2520A12	.25-20 X .75, TAPTITE II, HEX WSHR SLTD	4.000 EA
HW1001A25	LOCKWASHER 1/4, ZINC PLT .493 OD, .255 I	4.000 EA
WD1000B16	T&B CX70TN OR L70P TERMINAL LUG	1.000 EA
59XW2520G07	.25-20X.44,HEX SER WSHR,TAPTITE 2,GREEN	1.000 EA
09CB3501SP	CONDUIT BOX LID FOR 09CB3001 & 09CB3002	1.000 EA
09GS1013SP	GS FOR 09CB3501, 12CB1500 & 12CB1503 LID	1.000 EA
51XW2520A12	.25-20 X .75, TAPTITE II, HEX WSHR SLTD	2.000 EA
MG1025L14	WILKOFASST, 776.14, GRUNDFOS BLACK	0.070 GA
09PA1000	PACKAGING GROUP COMBINED PRINT	1.000 EA
HW2501G25	KEY, 3/8 SQ X 2.875	1.000 EA

AC Induction Motor Performance Data

Record # 69714

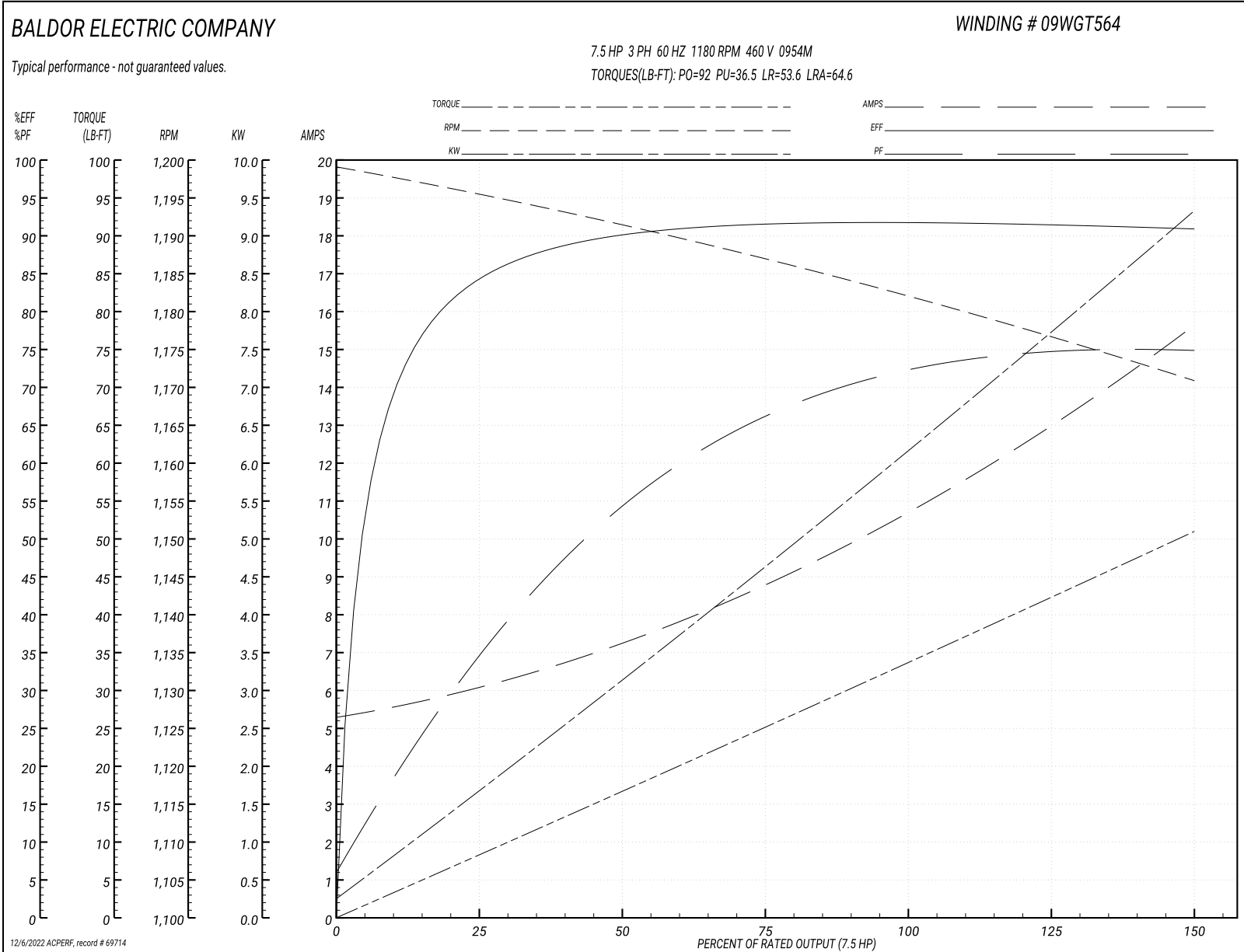
Typical performance - not guaranteed values

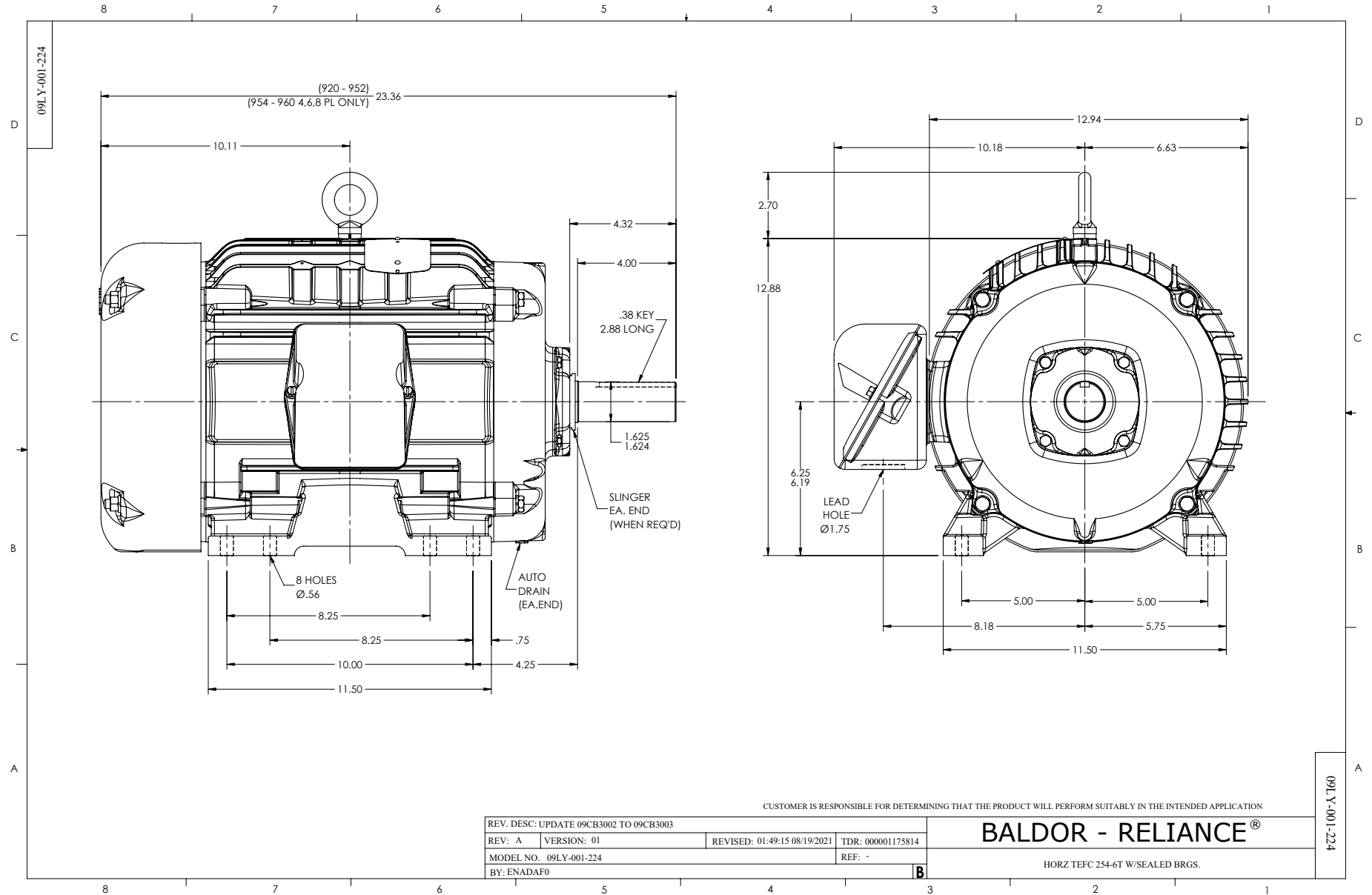
Winding: 09WGT564-R001		Type: 0954M		Enclosure: TEFC	
Nameplate Data			460 V, 60 Hz: High Voltage Connection		
Rated Output (HP)	7.5	Full Load Torque	32.4 LB-FT		
Volts	230/460	Start Configuration	direct on line		
Full Load Amps	21/10.5	Breakdown Torque	92 LB-FT		
R.P.M.	1180	Pull-up Torque	36.5 LB-FT		
Hz	60 Phase	3	Locked-rotor Torque	53.6 LB-FT	
NEMA Design Code	B KVA Code	H	Starting Current	64.6 A	
Service Factor (S.F.)		1	No-load Current	5.39 A	
NEMA Nom. Eff.	91 Power Factor	71	Line-line Res. @ 25°C	0.952 Ω	
Rating - Duty	40C AMB-CONT		Temp. Rise @ Rated Load	31°C	
			Locked-rotor Power Factor	25.7	
			Rotor inertia	4.34 LB-FT ²	

Load Characteristics 460 V, 60 Hz, 7.5 HP

% of Rated Load	25	50	75	100	125	150
Power Factor	34	54	65	71	74	75
Efficiency	83.5	90.2	91.2	91.6	91.7	90.8
Speed	1196	1191	1188	1183	1177	1171
Line amperes	5.92	7.13	8.57	10.5	12.7	15.6

Performance Graph at 460V, 60Hz, 7.5HP Typical performance - Not guaranteed values





CD0005



LOW VOLTAGE
(2Y)



LINE

HIGH VOLTAGE
(1Y)



LINE

NOTES:

1. INTERCHANGE ANY TWO LINE LEADS TO REVERSE ROTATION.
2. OPTIONAL THERMOSTATS ARE PROVIDED WHEN SPECIFIED.
3. ACTUAL NUMBER OF INTERNAL PARALLEL CIRCUITS MAY BE A MULTIPLE OF THOSE SHOWN ABOVE.
4. LEAD COLORS ARE OPTIONAL. LEADS MUST ALWAYS BE NUMBERED AS SHOWN.

REV. DESC: REVISE TO SHOW OPTIONAL COLORS

REV. LTR: E BY: JLP

REVISED: 01/19/99 10:15

TDR: 0171435

900003

FILE: AAA00005140

MDL: -

MTL: -

BALDOR ELECTRIC Co.

3PH, DV, 9 LEADS

CD0005

Marketing maintained PDF of MN416:

<http://www.baldor.com/support/Literature/Load.ashx/MN416?ManNumber=MN416>