

BALDOR • RELIANCE

Customer information packet

ZDBRPM281004R1

100HP, 1750, 460V, FL2890, TEBC, F3

Specifications

Enclosure	TEBC
Frame	FL2890Z
Frame Material	Exposed Laminations
Frequency	60.00 Hz
Output @ Frequency	100.000 HP @ 60 HZ
Phase	3
Synchronous Speed @ Frequency	1800 RPM @ 60 HZ
Voltage @ Frequency	460.0 V @ 60 HZ
Agency Approvals	CCSA US
Auxillary Box	No Auxillary Box
Base Indicator	Rigid
Bearing Grease Type	Polyrex EM (-20F +300F)
Current @ Voltage	124.000 A @ 460.0 V
Duty Rating	CONT
Feedback Device	ENCODER
Frame Prefix	FL
Heater Indicator	No Heater
High Voltage Full Load Amps	124.0 a
Insulation Class	H
IP Rating	NONE
Motor Standards	NEMA
Mounting Arrangement	F3
Overall Length	46.06 IN
Product Family	General Industrial
Pulley End Bearing Type	Ball
Pulley Face Code	Standard
Service Factor	1.00
Shaft Diameter	2.624 IN
Shaft Ground Indicator	Shaft Grounding
Shaft Rotation	Reversible
Speed	1780 rpm
Starting Method	Full Voltage

Part detail

Revision	B
Type	AC
Mech. spec.	
Base	
Status	PRD/A
Elec. spec.	L4052A
Layout	617531-357
Eff. date	03-24-2022
CD Diagram	422927-001
Poles	04
Leads	
Proprietary	False
Created date	11-09-2021

Thermal Device - Bearing

None

Thermal Device - Winding

Normally Closed Thermostat

Nameplate

000613006MY

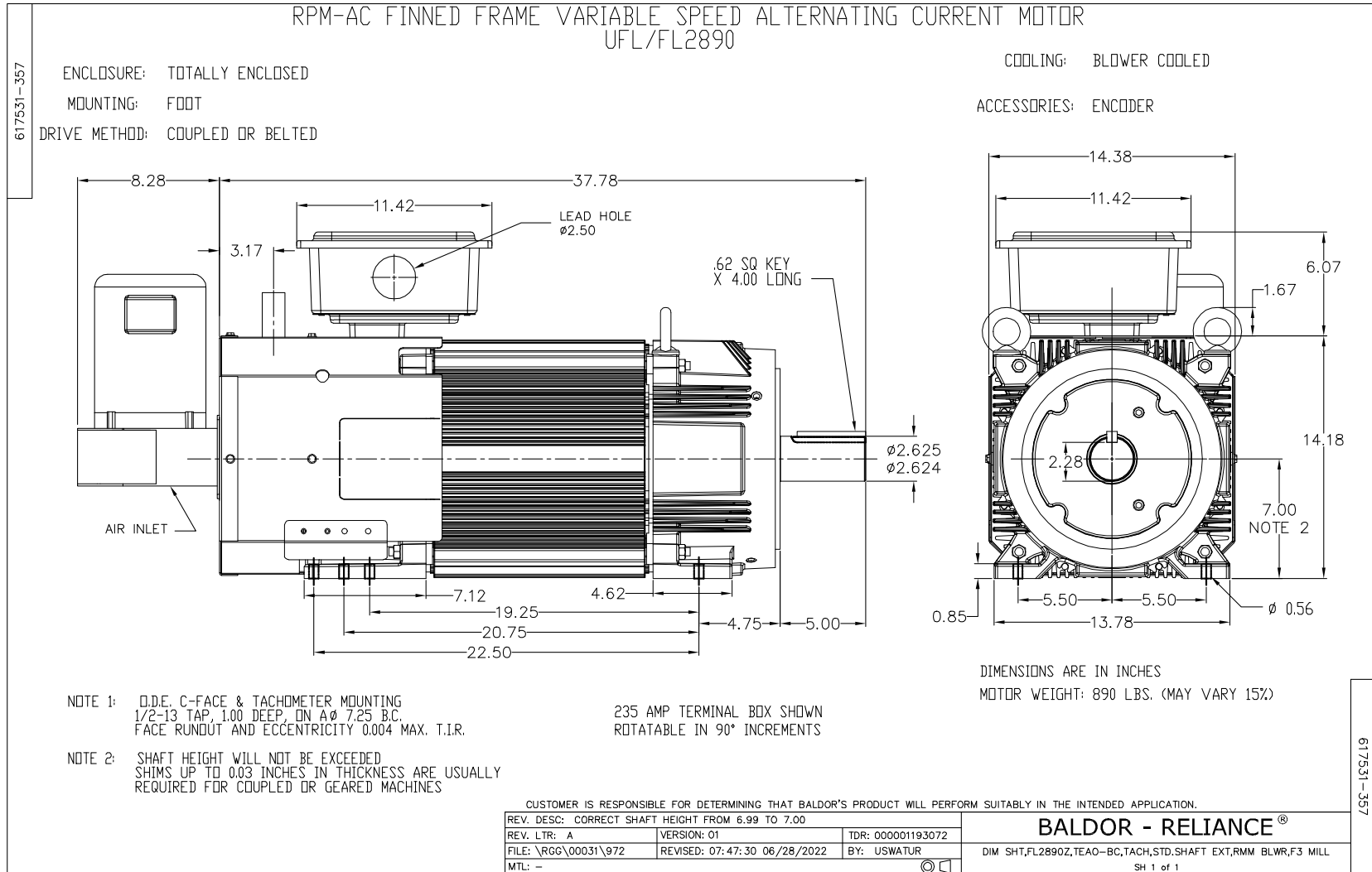
	DUTY	HP	RPM	AMPS	VOLTS	HZ	
	CONT	100	1780	124	460		60
	CONT	100	3555	120	460		120
CAT.NO.	ZDBRPM281004R1		SPEC. NO.		F28-A000-0381		
SER.NO		FR	FL2890Z	INSUL	H		
PH.	3	MAX SAFE SPEED		5000	AMB.	45	MIN. AMB. -25
DESIGN NO.	L4052A	TYPE			ENCL.	TEAO-BC	
S.F.	1.00		D.E. BRG.		75BC02J30X		
ENCL MOD			O.D.E. BRG.		55BC02J30X		
	IP44						

Parts list

Part number	Description	Quantity
WS393418	WS F28-A000-0381	1.000 ea
RA389946	RA F28-A000-0381	1.000 ea
418018122A	LABEL	2.000 ea
033775004EA	DRSCR #6-1/4 304 S.S.	4.000 ea
000613006MY	NP-RPMAC INVERTER DUTY	1.000 ea
000692000NH	LABEL DIRECTION AIR FL	1.000 ea
LB1613	LABEL, QR CODE, ADHESIVE LABEL	1.000 ea
000692000XM	LABEL QR CODE	1.000 ea
422927001	C/D LABEL	1.000 ea
807583004AAB	BRKT,ODE,FL280	1.000 ea
807583003AAA	BRKT,DE,FL280	1.000 ea
BP5068BJ01	BRUSH, .187 X .187 X 1.00	2.000 ea
HA4054	SHORT T-DRAIN FITTING, .125" N.P.T.	1.000 ea
HA4054	SHORT T-DRAIN FITTING, .125" N.P.T.	1.000 ea
004824015A	GREASE POLYREX EM	0.300 lb
036600014AB	FLTW MOTOR MTG.	2.000 ea
400638001G	WAVEN (Customer number 43699)	1.000 ea
036000016DB	HHCS	4.000 ea
418150003A	GREASE FITTING CAP	2.000 ea
035000001A	ALFTG 1/8" 1610-BL	1.000 ea
035000001A	ALFTG 1/8" 1610-BL	1.000 ea
036100070KA	METRIC HSHCS	3.000 ea
036100070JA	HSHCS M8 70MM UNPLATED	3.000 ea
036140001D	EYEBOLT - 360	2.000 ea
034693001AB	PPLG - G508- use 034692001AB	1.000 ea
034693001AB	PPLG - G508- use 034692001AB	1.000 ea
036500011AB	METRIC NUT M12-1.75 PLT.	4.000 ea
036500011AB	METRIC NUT M12-1.75 PLT.	4.000 ea
609830005G	TBOLT VERSION 3	4.000 ea
BP5248	BP5248	2.000 ea
610490001A	.5HP,3450//2850RPM,3PH,60//50HZ,56C,3420	1.000 ea

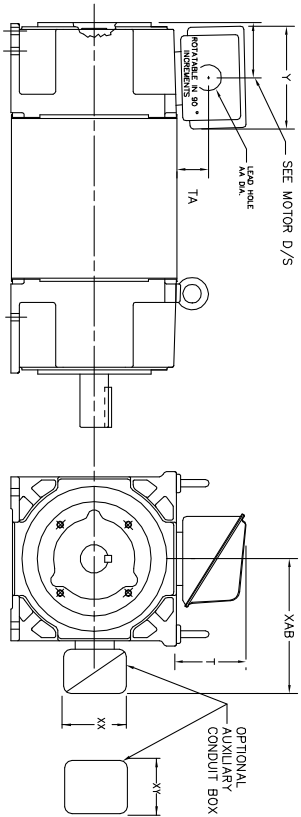
415000103D	T/LUG #4AWG-1/0AWG W/HOLE FOR .250 BOLT	1.000 ea
036000012HB	HHCS M6X12MM LONG PLATED	3.000 ea
422962052B	STBSH	1.000 ea
607980192B	RF,BEI,HS35,TWISTLOCK	1.000 ea
036500004AB	HXNUT M3-.5 ZINCPLATED	4.000 ea
418057367A	CLIP, BEI TACH	2.000 ea
600164003A	WHEEL, BLOWER	1.000 ea
036600008AB	MFWSH M6 PLATED	4.000 ea
417733004J	GASKT	1.000 ea
706310640B	BACKPLATE GASKET C/BOX 706310-637	1.000 ea
609843001K	GASKET HANDHOLE COVER FE	1.000 ea
708535017A	FAN COVER,GRILL	1.000 ea
036000025HB	HHCS M6-1.0X25L PLTD.	4.000 ea
032018010DK	HHCS 1/2-13X1-1/4 PLATED	2.000 ea
032018006CK	HHCS 3/8-16X3/4L PLATED 411409	4.000 ea
036500008AB	METRIC H.NUT M6-1.0 PLTD	4.000 ea
708535010C	FAN COVER FL280 WITH ENCODER/RMM BLWR	1.000 ea
036000012KB	M10 1.50 X 12MM HXHDCS	3.000 ea
000613006NT	NAME PLATE IEC	1.000 ea
036600004AB	WASHER, FLAT	4.000 ea
418057256F	HHCS M6 12MM ZINCPLAT	1.000 ea
036610008AB	METRIC LCKW M6 PLTD-G508	4.000 ea
032018008DK	HHCS 1/2-13X1 PLATED	4.000 ea
418057373A	SCREW SHEET METAL	7.000 ea
418018074A	GROUND LABEL G100 METRIC 160 D.C.	1.000 ea
708533003A	PLATE, BTM FAN/BLOWER	2.000 ea
706313063A	BLOWER HOUSING	1.000 ea
410978010A	FLANGE, INLET BLOWER	1.000 ea
410978011A	GRILL, INLET BLOWER HSG	1.000 ea
406673002C	.75 CAP PLUG	1.000 ea
036620009AB	M8 EXTERNAL LK WASHER	1.000 ea
034630001AJ	1/8" PIPE COUPLING	1.000 ea
034017014AB	LCKW 3/8 STD. PLATED	4.000 ea
706310642A	BACK PLATE FOR 706310-637 WITH 5.00" BOL	1.000 ea

036600009AB	METRIC FLWASH M8 PLATED	2.000 ea
036310010FB	RHMS TERM/BLK MTG	2.000 ea
034530016AB	P/NIP 1/8X2 PLATED - 320	1.000 ea
418057499A	PLATE	1.000 ea
036320008CB	M2.5 SCREW	4.000 ea
036500006AB	M4-0.7 METRIC HEX NUT	2.000 ea
706310637A	C/BOX, MILL, RPMAC,9X9X4, 375IN^3	1.000 ea
706310641A	LIPPED CBOX LID FOR 706310-642	1.000 ea
706310640A	LID GASKET C/BOX 706310-637	1.000 ea
036010012HB	HHCS T/BOX BRACE	16.000 ea
036000012JB	M8-1.25 X 12MM HXHDC	4.000 ea
036100012DB	HSHCS	4.000 ea
034180032HA	KEY 5/8X5/8X4	1.000 ea
000640000P	TAG WINDING THERMOST	1.000 ea
004824007CQR	C2 PAINT SYSTEM MEDIUM GRAY CHARCOAL MET	0.100 ea



INDUSTRIAL ALTERNATING CURRENT MOTORS
RPM AC

STEEL, CAST IRON, MILL AND TERMINAL BOARD CONDUIT BOX DIMENSIONS
NEMA FRAMES RL210 thru RL280 and IEC FRAMES RDL132 thru RDL180
NEMA FRAMES FL180 thru FL280 and IEC FRAMES FDL112 thru FDL180



FRAME	TYPE	TERMINAL STRIP	AMPS	C/BOX	Y	TA	T	AA
FL180	STEEL	N	40	706320003A	5.00	1.62	3.00	1.12
FL180	STEEL	N	75	706320003A	6.12	2.38	4.38	1.75/2.00
FL180	CAST IRON	N	208	706320007A	6.82	2.00	7.00	2.50/3.00
FL180 & FDL11	CAST IRON	Y/N	40	706320004B	5.75	2.38	4.38	1.50/1.75
FL180 & FDL11	MILL	Y	100	706310028A	7.75	2.30	4.40	PC29/PG16
FL210 & RL210	STEEL	N	61	0754520009	6.34	2.00	4.12	1.75
FL210 & RL210	STEEL	N	121	0754520010	7.69	2.38	5.25	1.94
FL210 & RL210	STEEL	N	305	706320016A	9.00	4.12	8.42	4.89
FL210 & RL210	CAST IRON	N	110	075460052B	7.25	2.50	5.25	1.5 TAP
FL210 & RL210	MILL	Y	100	706310225A	7.75	2.30	4.40	PC29/PG16
FL210 & RL210	MILL	Y	160	706310056A	9.00	3.06	5.40	PC36/PG16
FL210 & RL210	MILL	Y/N	235	706310058B	11.42	4.00	6.72	2.50
FL250 & RL250	STEEL	N	61	0754520008	6.34	2.00	4.12	1.75
FL250 & RL250	STEEL	N	121	0754520009	7.69	2.38	5.25	1.94
FL250 & RL250	STEEL	N	305	706320016A	9.00	4.12	8.42	4.89
FL250 & RL250	CAST IRON	N	110	075460052B	7.25	2.50	5.25	1.5 TAP
FL250 & RL250	CAST IRON	N	210	706320017A	10.50	4.88	9.00	4.0 TAP
FL250 & RL250	MILL	Y	100	706310225A	7.75	2.30	4.40	PC29/PG16
FL250 & RL250	MILL	Y	160	706310056A	9.00	3.06	5.40	PC36/PG16
FL250 & RL250	MILL	Y/N	235	706310058B	11.42	4.00	6.72	2.50
FL250 & RL250	MILL	Y	400	706310063B	14.39	7.43	12.15	BLANK

FRAME	TYPE	TERMINAL STRIP	AMPS	C/BOX	Y	TA	T	AA
FL280 & RL280	STEEL	N	160	706320029A	7.25	3.50	7.06	2.50
FL280 & RL280	STEEL	N	305	706320016A	9.00	4.12	8.42	4.89
FL280 & RL280	STEEL	N	500	702565001C	14.62	7.56	12.70	5.00
FL280 & RL280	CAST IRON	N	140	706320017B	9.25	4.81	8.56	3.0 TAP
FL280 & RL280	CAST IRON	N	210	706320015A	10.50	4.88	9.00	4.0 TAP
FL280 & RL280	CAST IRON	N	510	706320014D	15.00	7.56	12.81	5.0 TAP
FL280 & RL280	MILL	Y	100	706310056A	7.75	2.30	4.40	PC29/PG16
FL280 & RL280	MILL	Y	160	706310058B	9.00	3.06	5.40	PC36/PG16
FL280 & RL280	MILL	Y/N	235	706310057A	11.42	4.00	6.72	2.50
FL280 & RL280	MILL	Y	400	706310063B	14.39	7.43	12.15	BLANK

FRAME SIZE	OPTIONAL AUXILIARY CONDUIT BOX DIMENSIONS (MAXIMUM)					
	XAB	XX	XY	PART NUMBER	FRAME SIZE	PART NUMBER
FL210/FL180/FL280/FL180	7.38	4.25	4.25	602007-26-A	FL210/FL180/FL280/FL180	10.88
FL250/FL180/FL280/FL180	8.44	4.25	4.25	602007-26-A	FL250/FL180/FL280/FL180	11.88
FL280/FL180/FL280/FL180	9.12	4.25	4.25	602007-26-A	FL280/FL180/FL280/FL180	12.62
						8.00
						8.00
						8.00
						8.00

(1) 7/8" PIPE TAP
(2) CUSTOMER TO PROVIDE W/LE TYP CONDUIT.
(3) DIM SA ON 1" DIA DN W/2"

TERMINAL BOX CAN BE ROTATED FOR LEAD INLET AT TOP, SIDES OR BOTTOM.
TERMINAL BOX LOCATED ON OPPOSITE SIDE WHEN F-2, V-1, V-4, V-5, V-7,
OR C-1 MOUNTING IS SPECIFIED. BOX LOCATED ON TOP WHEN SPECIFIED.

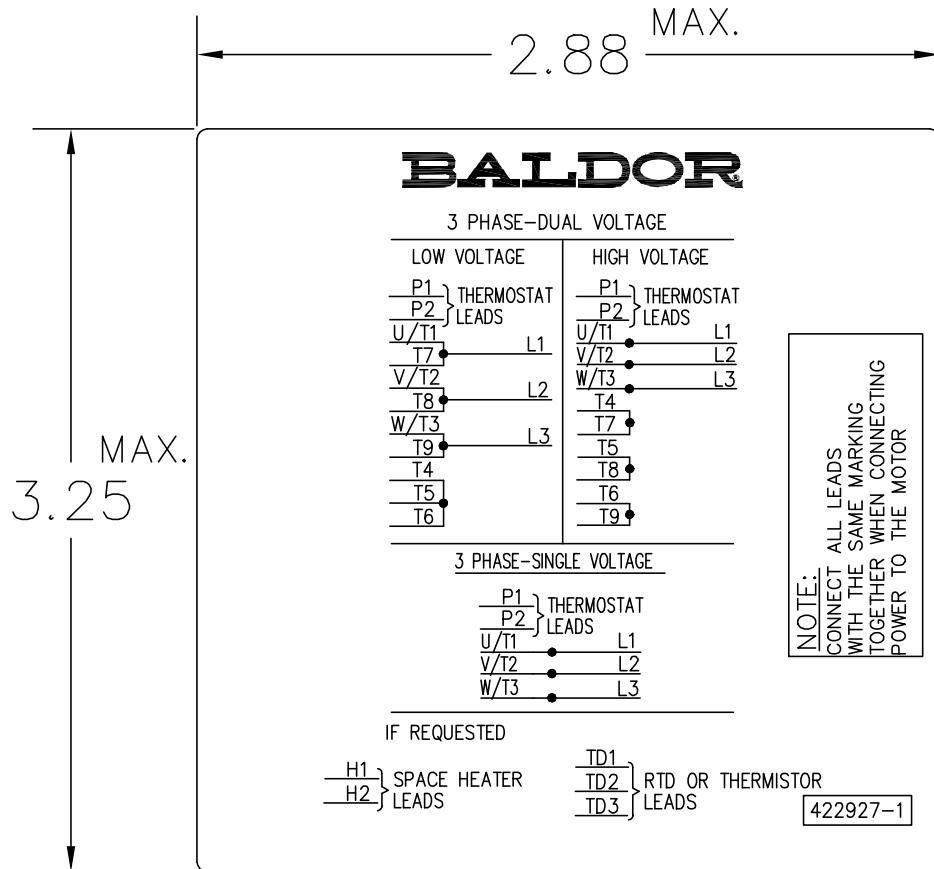
050-677919

CUSTOMER IS RESPONSIBLE FOR DETERMINING THAT BALDOR'S PRODUCT WILL PERFORM SUITABLY IN THE INTENDED APPLICATION.

REV. DESC: ADD 706310-637 & 639 BOX	VERSION: 06	TDR: 000001180260
REV. LTR: F	REVISED: 11: 08: 56 10/26/2021	BY: RCGRWM
FILE: \\RGG\00003\692		
MTL: -		

BALDOR - RELIANCE®
DIM SHT NEMA RL210-RL280 FL180-FL280 IEC RDL132-RDL180
SH 1 of 1

422927-001



NOTE:
DATA TO BE SIZED
SO THAT IT FITS INTO
MATERIAL DECAL
DIMENSIONS. MAKE
LETTERS & NUMBERS
AS LARGE AS POSSIBLE.

MATERIAL: CERAMATIC DGF-P4
PERMA GRIP ADHESIVE

ALL LETTERS, NUMBERS
AND LINES TO BE BLACK
ON WHITE BACKGROUND.

NOTE:
CONNECT ALL LEADS
WITH THE SAME MARKING
TOGETHER WHEN CONNECTING
POWER TO THE MOTOR

422927-1

422927-001

REV. DESC: CHANGE BACKGROUND COLOR FROM GOLD TO WHITE		
REV. LTR: B	VERSION: 02	TDR: 00000788708
FILE: \RGG\00000\203	REVISED: 08:09:29 03/04/2013	
MTL: -	BY: RGGWT	

BALDOR

EXTERNAL CONNECTION LABEL

SH 1 of 1