

**BALDOR® • RELIANCE** 

**Product Information Packet**

**600E**

**20S 2P GRNDR**

Part Detail							
Revision:	X	Status:	INA/A	Change #:		Proprietary:	No
Type:	AC	Elec. Spec:	G6WG0050	CD Diagram:	CD0185A03	Mfg Plant:	
Mech. Spec:		Layout:	G6-0443-0050	Poles:	02	Created Date:	08-09-2007
Base:		Eff. Date:	12-12-2018	Leads:	2#18		

Specs			
Nameplate Output:	.33		
Product Style:	GRINDER		

<b>Nameplate NP0523L</b>					
CAT.NO.	600E	HP	.33	HZ	60
VOLTS	115	AMPS	3.1		
SPEC.	G6-0443-0050				
RPM	3600	SER.			

Parts List		
Part Number	Description	Quantity
SA161399	SA G6-0443-0050	1.000 EA
RA149954	RA G6-0443-0050	1.000 EA
RE1020SP	C.S.RELAY 3CR-738-169(TI)	1.000 EA
G6BA3000BG	G6-264 BASE, W/ BATTLE SHIP GRAY POWDER	1.000 EA
60XM2520A12	SCREW,PAN TORX 1/4-20X.750 THREAD FORMIN	2.000 EA
HW1000A25	1/4 SAE FLAT WASHER (FS)	2.000 EA
XY2520A12	1/4-20 HEX NUT, DIRECTIONAL SERRATIONS	1.000 EA
XY2520A12	1/4-20 HEX NUT, DIRECTIONAL SERRATIONS	1.000 EA
HW1023A25	WASHER, 1/4 INT/EX TH LK, ZN X	2.000 EA
LD0090B120	LD,01 6.5" BLK W/INSU FLAG TERM	1.000 EA
51XN0832A08	08-32 #10 & SMALLER HEX WASHER HEAD, SL	1.000 EA
LD0158A02	CORD & PLUG ASSY 18-3 SJT 8' LONG	1.000 EA
WD4102A01	SR-6L-1 HEYCO STRN RELIEF OR 23MPO6L10 M	1.000 EA
SP9017SP	SWITCH 758OK8 (C-H)	1.000 EA
HA3205A50	U550-N SWITCH NUT/CARLING	1.000 EA
HW1003A50	LOCKWASHER,1/2",EXT.TOOTHZINC PLATED	1.000 EA
11XW1032G06	10-32 X .38, TAPTITE II, HEX WSHR SLTD U	1.000 EA
G6CB4501L	BASE COVER PLATE 6" GRINDER BLACK	1.000 EA
RM1012	6" GRINDER FOOT	4.000 EA
11XT1032A06	10-32 X 3/8 HX WSHR HD SLTD TYPE 23	2.000 EA
G6EP3900A01BG	EP,G6AC DE CL 6203 W/BATTLE SHIP GRAY	1.000 EA
HW5100A03	WAVY WASHER (W1543-017)	1.000 EA
HA3107A03	10-32 X 5.375 THRUBOLT OHIO	2.000 EA
G6EP3900A01BG	EP,G6AC DE CL 6203 W/BATTLE SHIP GRAY	1.000 EA

Parts List (continued)		
Part Number	Description	Quantity
HW5100A03	WAVY WASHER (W1543-017)	1.000 EA
XY1032A02	10-32 HEX NUT DIRECTIONAL SERRATION	2.000 EA
G6FH3804A01BG	GRINDER GUARD COVER BATTLE SHIP GRAY	1.000 EA
51XF1032A08	10/32X1/2 HXWSHR HD, SL, TYPE F ,SERATED	4.000 EA
G6FH3804A01BG	GRINDER GUARD COVER BATTLE SHIP GRAY	1.000 EA
51XF1032A08	10/32X1/2 HXWSHR HD, SL, TYPE F ,SERATED	4.000 EA
HA6113SP	GRINDER FLANGE, STAMPED ZINC PLATED	2.000 EA
G6AP3000A02	A60N6V10 6X3/4X1/2 60GRITB67	1.000 EA
XY5020A12SP	1/2-20 NUT R.H. HEX (NF)	1.000 EA
HA6113SP	GRINDER FLANGE, STAMPED ZINC PLATED	2.000 EA
B66	A36N5V10 6X3/4X1/2 36GRITB66	1.000 EA
XY5020A62SP	1/2-20 NUT L.H. HEX (NF)X	1.000 EA
G6FH3804BG	GRINDER GUARD COVER BATTLE SHIP GRAY	1.000 EA
51XB1016A07	10-16 X 7/16 HXWSSLD SERTYB	2.000 EA
G6AP1012A02ZP	GRINDER TOOL REST,PU END/RH, ZINC PLATED	1.000 EA
83XN2520A40	1/4-20 X 2 1/2" LONG CARRIAGE BOLT	1.000 EA
HW1023A25	WASHER, 1/4 INT/EX TH LK, ZN X	1.000 EA
HW1023A25	WASHER, 1/4 INT/EX TH LK, ZN X	1.000 EA
HW1023A25	WASHER, 1/4 INT/EX TH LK, ZN X	1.000 EA
HW1023A25	WASHER, 1/4 INT/EX TH LK, ZN X	1.000 EA
HW1000A25	1/4 SAE FLAT WASHER (FS)	1.000 EA
83XN2520A40	1/4-20 X 2 1/2" LONG CARRIAGE BOLT	1.000 EA
HW1000A25	1/4 SAE FLAT WASHER (FS)	1.000 EA
XY2520A03	NUT, WING 1/4-20	1.000 EA

Product Information Packet: 600E - 20S 2P GRNDR

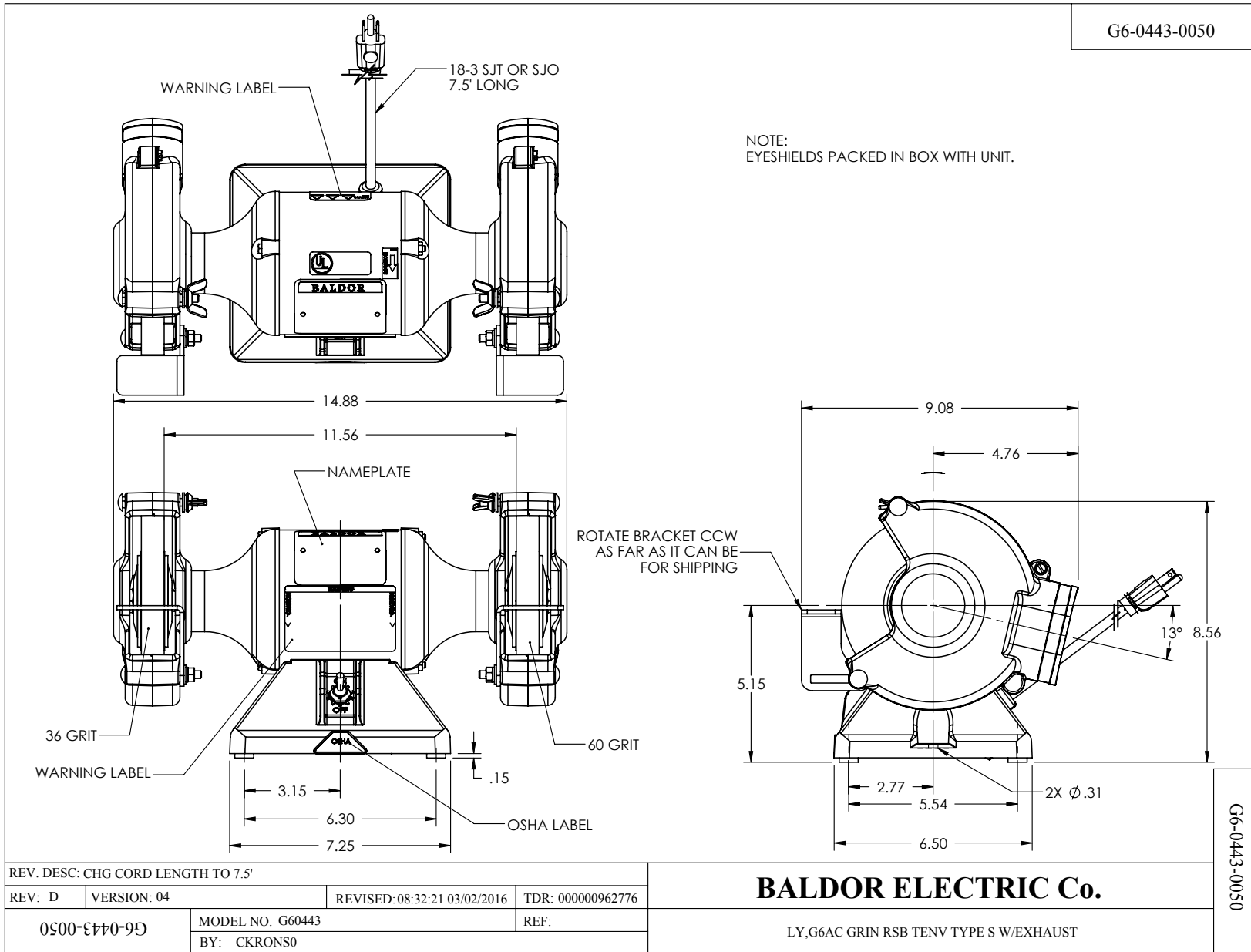
G6FH3804BG	GRINDER GUARD COVER BATTLE SHIP GRAY	1.000 EA
51XB1016A07	10-16 X 7/16 HXWSSLD SERTYB	2.000 EA
G6AP1012A01ZP	GRINDER TOOL REST,FR END/LH, ZINC PLATED	1.000 EA
83XN2520A40	1/4-20 X 2 1/2" LONG CARRIAGE BOLT	1.000 EA
HW1000A25	1/4 SAE FLAT WASHER (FS)	1.000 EA
83XN2520A40	1/4-20 X 2 1/2" LONG CARRIAGE BOLT	1.000 EA
HW1000A25	1/4 SAE FLAT WASHER (FS)	1.000 EA
XY2520A03	NUT, WING 1/4-20	1.000 EA
G6AP1013	GRINDER GUARD EXHAUST PLATE	2.000 EA
NP0523L	ALUM NO LOGO'S 6" GRINDER - BUFFER	1.000 EA
85XU0407S04	4X1/4 U DRIVE PIN STAINLESS	2.000 EA
G6AP5002A02	EYE SHIELD GLASS ASSEMBLY FOR 6" GRINDER	1.000 EA
LB1119N	WARNING LABEL	1.000 EA
LB1307	LABEL, WARNING	1.000 EA
LB1030	LABEL, OSHA (ON ROLLS)	1.000 EA
LB1009N	LABEL,ROTATION DIRECTION (ON ROLLS)	1.000 EA
LB1008	LABEL, UL	1.000 EA
MN903	INSTR MANUAL FOR GRINDERS 9/03	1.000 EA
27PA1001	PKG GRP, PRINT PK1027A06	1.000 EA

<b>Accessories</b>		
<b>Part Number</b>	<b>Description</b>	<b>Multiplier</b>
GA16E	PEDESTAL LIGHT INDUSTRIAL,STEEL	A8
GA16	PEDESTAL INDUSTRIAL, CAST IRON 6" - 10"	A8
B66	6" 36 GRIT GRINDING WHEEL	A8
B67	6" 60 GRIT GRINDING WHEEL	A8
GA14	PEDESTAL FABRICATED STEEL W/SHELVES	A8
GA13	EYE SHIELD GLASS ASSEMBLY FOR 6" GRINDER	A8
BQ1-015-CC	1PH Brake, NEMA 1,110-125 VAC, 50/60Hz	P1
BQ1-015-CP	1PH Brake, Panel 110-125 VAC, 50/60 Hz	P1

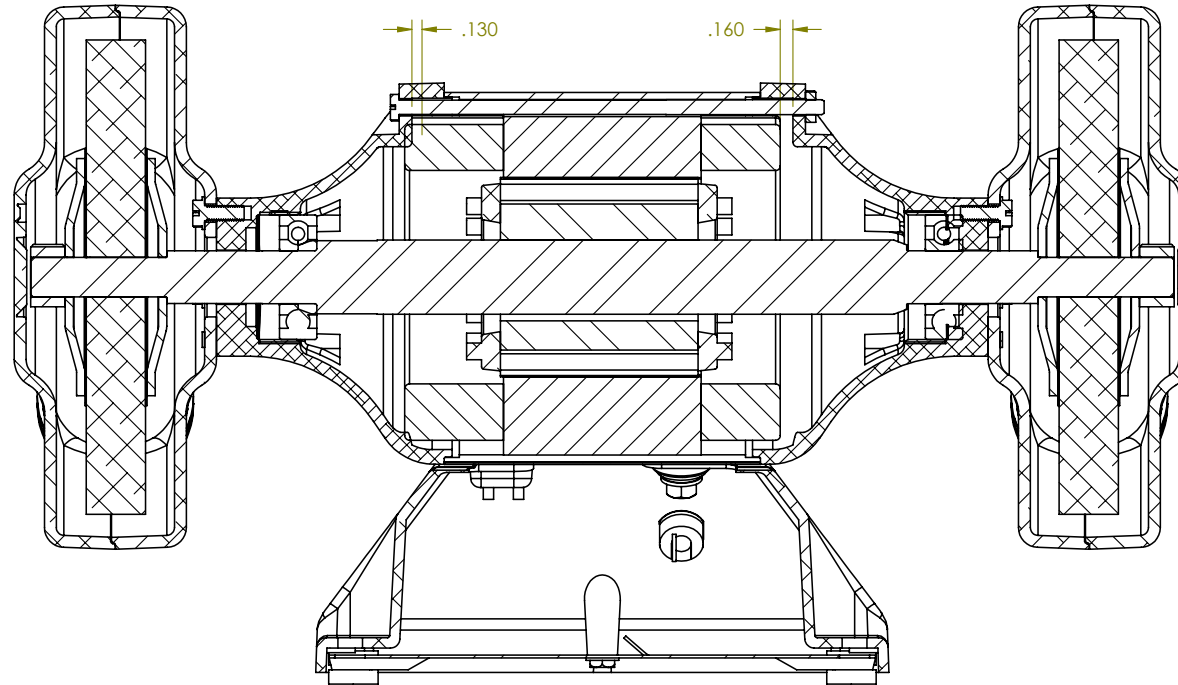
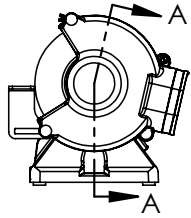
No performance data has been assigned to this product.



G6-0443-0050



G6-0443-0050



SECTION A-A  
SCALE 1 : 2

REV. DESC: CHG CORD LENGTH TO 7.5'

REV: D	VERSION: 04	REVISED: 08:32:21 03/02/2016	TDR: 000000962776
--------	-------------	------------------------------	-------------------

G6-0443-0050

MODEL NO. G60443
BY: CKRONSO

REF:

**BALDOR ELECTRIC Co.**

LY,G6AC GRIN RSB TENV TYPE S W/EXHAUST

G6-0443-0050

ITEM NO.	PART NUMBER	G6-0443-0017/QTY.
1	G6SB0015A00	1
2	G6SH1024	1
3	33RC4120-00	1
4	G6EP3900A01	2
5	HA3107A03	2
6	XY1032A02	2
7	XY5013A12	2
8	XY2520A12	2
9	G6BA3000	1
10	19XX2510A10	2
11	HW1000A25	6
12	HW1001A25	6
13	sp9017	1
14	HA3205A50	1
15	HW1003A50	1
16	G6CB4501	1
17	51XW1032A06	2
18	G6FH3804A01	2
19	A08	8
20	HA6113	4
21	G6AP3000A02	2
22	G6FH3804	2
23	51XB1016A07	4
24	G6AP1012A02	1
25	83XN2520A40	4
26	XY2520-03	2
27	G6AP1012A01	1
28	NP0523_33Frame	1
29	LB1119	1
30	G6_Flex	1
31	85XU0208A02	2
32	LB1030	1
33	LD0158A01	1
34	BG6203	2
35	HW5100A03	2
36	WD4102A01	1
37	RM1012	4

REV. DESC: CHG CORD LENGTH TO 7.5'		REVISED: 08/32/21 03/02/2016		TDR: 000000962776
REV: D	VERSION: 04	MODEL NO. G60443		REF:
BY: CKRONSO		<b>B</b>		

<b>BALDOR ELECTRIC Co.</b>	
LY.G6AC GRN RSB TENV TYPE S W/EXHAUST	

