

BALDOR® • RELIANCE 

Product Information Packet

CECP83581T-4

1HP,1770RPM,3PH,60HZ,143TC,0520M,TEFC,F1

Part Detail							
Revision:	B	Status:	PRD/A	Change #:		Proprietary:	No
Type:	AC	Elec. Spec:	05WGX565	CD Diagram:	CD0006	Mfg Plant:	
Mech. Spec:	05E943	Layout:	05LYE943	Poles:	04	Created Date:	03-11-2022
Base:	RG	Eff. Date:	04-10-2023	Leads:	3#18		

Specs			
Catalog Number:	CECP83581T-4	Heater Indicator:	No Heater
Enclosure:	TEFC	Insulation Class:	F
Frame:	143TC	Inverter Code:	Inverter Ready
Frame Material:	Iron	KVA Code:	N
Motor Letter Type:	Three Phase	Lifting Lugs:	Standard Lifting Lugs
Output @ Frequency:	1.000 HP @ 60 HZ	Locked Bearing Indicator:	Locked Bearing
Synchronous Speed @ Frequency:	1800 RPM @ 60 HZ	Motor Lead Quantity/Wire Size:	3 @ 18 AWG
Voltage @ Frequency:	460.0 V @ 60 HZ	Motor Lead Exit:	Ko Box
XP Class and Group:	CLI GP A,B,C,D	Motor Lead Termination:	Flying Leads
XP Division:	Division II	Motor Type:	0520M
Agency Approvals:	CCSA US	Mounting Arrangement:	F1
	CSA EEV	Power Factor:	68
	NEMA PREMIUM	Product Family:	Chem Process S/P 32-8 IEEE 841
	NEMA_PREMIUM	Pulley End Bearing Type:	Ball
	UR	Pulley Face Code:	Standard
Auxillary Box:	No Auxillary Box	Pulley Shaft Indicator:	Standard
Auxillary Box Lead Termination:	None	Rodent Screen:	None
Base Indicator:	Rigid	Shaft Extension Location:	Pulley End

Bearing Grease Type:	Polyrex EM (-20F +300F)	Shaft Ground Indicator:	No Shaft Grounding
Blower:	None	Shaft Rotation:	Reversible
Constant Torque Speed Range:	1.2	Shaft Slinger Indicator:	Shaft Slinger
Current @ Voltage:	1.600 A @ 460.0 V	Speed Code:	Single Speed
Design Code:	B	Motor Standards:	NEMA
Drip Cover:	No Drip Cover	Starting Method:	Direct on line
Duty Rating:	CONT	Thermal Device - Bearing:	None
Electrically Isolated Bearing:	Not Electrically Isolated	Thermal Device - Winding:	None
Feedback Device:	NO FEEDBACK	Vibration Sensor Indicator:	No Vibration Sensor
Front Face Code:	Standard	Winding Thermal 1:	None
Front Shaft Indicator:	None	Winding Thermal 2:	None
		XP Temp Code:	T4

Nameplate NP4328

CAT.NO.	CECP83581T-4		
SPEC.	05E943X565G1		
HP	1	TE	IP 56
VOLTS	460		
AMPS	1.6		
R.P.M.	1770		
FRAME	143TC	HZ	60
SER.F.	1.15	CODE	N DES. B
RATING	40C AMB-CONT		
SN			
DE	6205	ODE	6205
NEMA NOM. EFF.	85.5	P.F.	68
GUAR. MIN. EFF.	82.5	CC	010A
T. CODE	T4	TEMP=	135

PH 3 CLASS F

Nameplate NP3186			
SPEC.	05E943X565G1		
ABMA DE BRG	25BC02X30X		
ABMA ODE BRG	25BC02X30X		
GREASE	POLYREX EM		
MOTOR WEIGHT	56	ROTOR BARS	27
MAX. R.P.M.	2700	MAX. KVAR	0.52
	SFA 1.75	STATOR BARS	36
INV.TYPE	PWM		
T=	135		
CHP	60	TO	90
CT	1.2	TO	60
VT	-0	TO	60
HTR-VOLTS		HTR-AMPS	
HTR-WATTS		MAX. SPACE HEATER TEMP.	

Parts List		
Part Number	Description	Quantity
SA408878	SA 05E943X565G1	1.000 EA
RA400425	RA 05E943X565G1	1.000 EA
35FN3002A05SP	EXFN, PLASTIC, 6.376 OD, .638 ID	1.000 EA
HW3201A05	3/8-16 EYEBOLT	1.000 EA
06CB1001A01G	CONDUIT BOX, MACH GRAY	1.000 EA
RM1016	LEAD SEPARATOR GASKET - 305/306 C.P.MOTO	1.000 EA
51XW2520A12	SCREW, HEX SER SLT HD, ZN, 1/4-20 X .75	2.000 EA
11XW1032G06	10-32 X .38, TAPTITE II, HEX WSHR SLTD U	1.000 EA
HW3001B01	BRASS CUP WASHER, FOR #10 SCREW	1.000 EA
10XN2520S06	1/4 20X3/8 HX HD CAP S.S.	1.000 EA
WD1000B16	T&B CX70TN OR L70P TERMINAL LUG	1.000 EA
51XN1032A20	10-32 X 1 1/4 HX WS SL SR	2.000 EA
05EP1100A02G	FREP TEFC 205,GRSR,RLF,DRAIN FITTING,INP	1.000 EA
HW4601B22	INPRO SEAL, 205 BRG, MINI66	1.000 EA
HW4500A01	1641B(ALEMITE)400 UNIV, GREASE FITT	1.000 EA
HA4051A00	PLASTIC CAP FOR GREASE FITTING	1.000 EA
HW4500A17	317400 ALEMITE GREASE RELIEF	1.000 EA
HA4010A01	T-DRAIN PLUG,416 S.S.,W/ 1/4-28 THD & .0	1.000 EA
HW5100A05	WVY WSHR F/205 & 304 BRGS	1.000 EA
35EP1329A32G	EP ENCL 205 BRG,GRSR,RLF,NPT DRAIN,INPRO	1.000 EA
HW4601B22	INPRO SEAL, 205 BRG, MINI66	1.000 EA
HW4500A01	1641B(ALEMITE)400 UNIV, GREASE FITT	1.000 EA
HA4051A00	PLASTIC CAP FOR GREASE FITTING	1.000 EA
HW4500A17	317400 ALEMITE GREASE RELIEF	1.000 EA

Parts List (continued)		
Part Number	Description	Quantity
HA4010A01	T-DRAIN PLUG,416 S.S.,W/ 1/4-28 THD & .0	1.000 EA
51XN1032A20	10-32 X 1 1/4 HX WS SL SR	2.000 EA
HA3100A28	THRUBOLT 10-32 X 8.187	4.000 EA
35FH1000A19G	35FH1000A19 W/GRAY FLUIDIZ	1.000 EA
10XN2520A16	1/4-20 X 1 HEX HEAD CAP SCR, ZINC PLATED	3.000 EA
HW1001A25	LOCKWASHER 1/4, ZINC PLT .493 OD, .255 I	3.000 EA
WD4100A03	DE-750 HEYCO PLUG 62MP0750 MICRO PLASTIC	1.000 EA
06CB1503A01G	LIPPED CONDUIT BOX LID, MACH GRAY EPOXY	1.000 EA
06GS1009	GASKET, KOBX LID, 1/8" THICK BLACK NEOPR	1.000 EA
10XN2520A12	1/4-20 X 3/4 HEX HEAD CAP	2.000 EA
HW1001A25	LOCKWASHER 1/4, ZINC PLT .493 OD, .255 I	2.000 EA
HW2501D13	KEY, 3/16 SQ X 1.375	1.000 EA
HA7000A01	KEY RETAINER 7/8" DIA SHAFT	1.000 EA
MJ5001A02	732 CL SEALANT 3 OZ DIXIE BEARING 289100	0.010 EA
MJ5001A27	32220KN GRAY SEALER *MIN BUY 4 QTS=1GAL	0.001 QT
MJ1000A73	INPRO P-80 ASSEMBLY LUB./ 1 QT. CONTAIN	0.001 QT
85XU0407S04	4X1/4 U DRIVE PIN STAINLESS	4.000 EA
LB1624	COMBINED WARNING LABEL, ISO/ANSI PICTOGR	1.000 EA
LT0019A00	MOTOR NO-LOAD PERFORMANCE DATA SHEET	1.000 EA
WD1000D21	TRM,T&B #B71M,RING,18-14,.25,NON-INSL	3.000 EA
MJ1000A02	GREASE, POLYREX EM EXXON	0.050 LB
MG1025N19	WILKOFASST, 778.50, RELIANCE BLUE-GREEN 8	0.022 GA
LB1449	DIV-2/NEC WARNING LABEL	1.000 EA
LC0006	CONNECTION LABEL	1.000 EA

NP4328	SS IEEE841-2021 DIV-2 UL CSA-C US EEV	1.000 EA
NP3186	SS IEEE841 INV AUX DATA INFORMATION	1.000 EA
36PA1000	PKG GRP, PRINT PK1016A06	1.000 EA
MN416A01	TAG-INSTAL-MAINT no wire (2100bx)4/22	1.000 EA
FE-0000002	ZRTG FE ASSEMBLY	1.000 EA
PE-0000002	ZRTG PE ASSEMBLY	1.000 EA

AC Induction Motor Performance Data

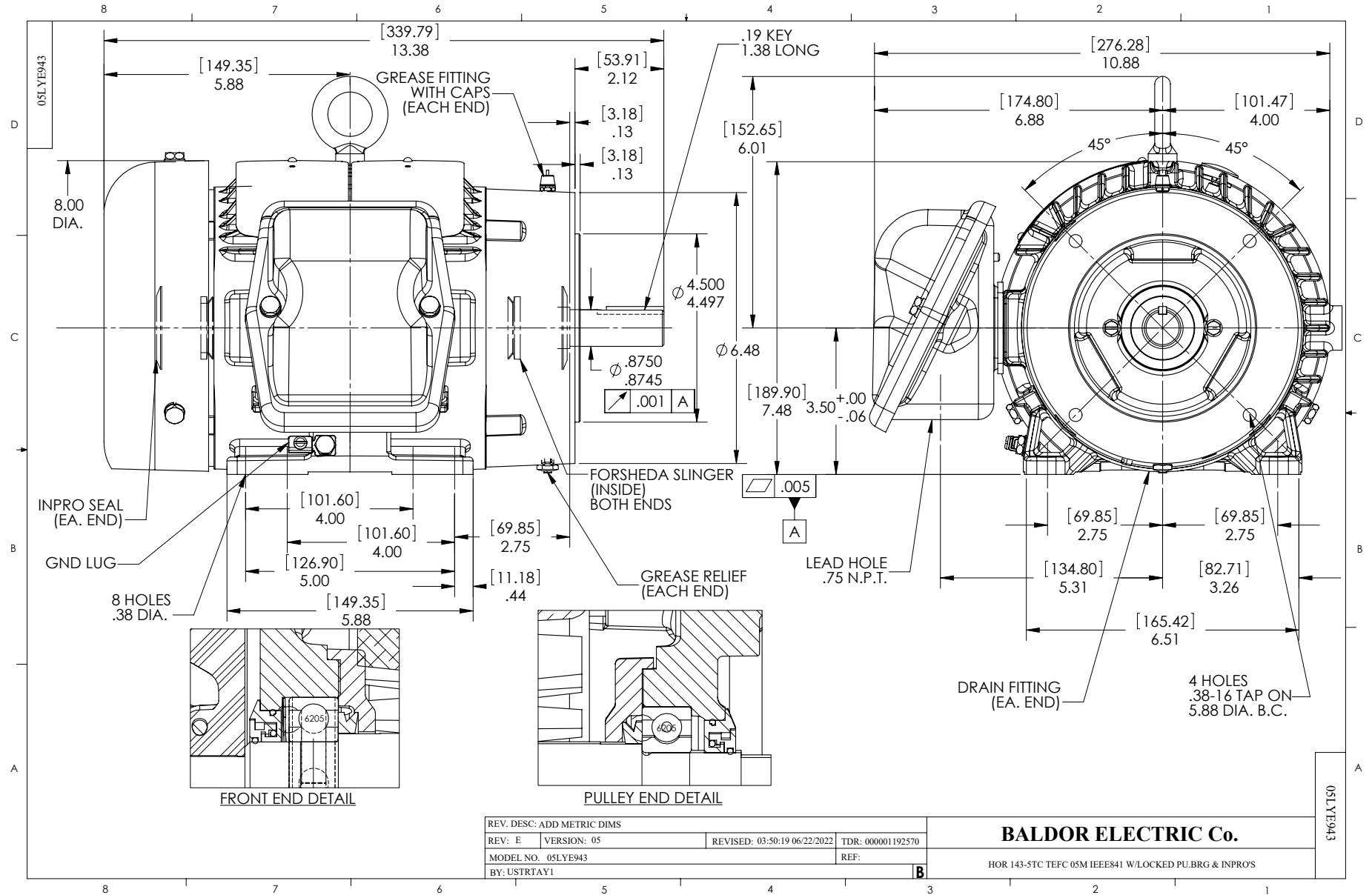
Record # 82133

Typical performance - not guaranteed values

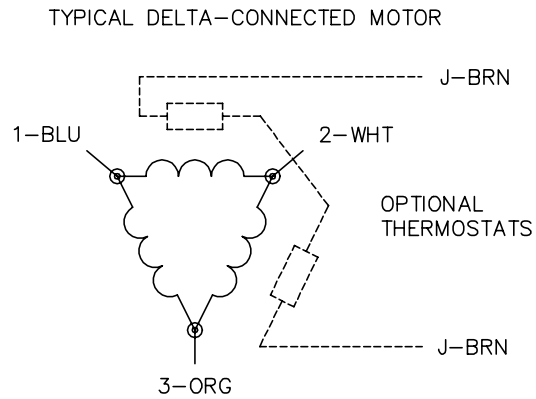
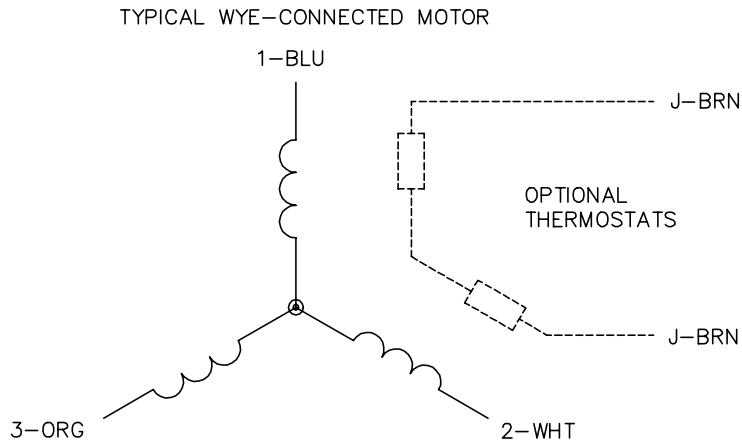
Winding: 05WGX565-R001		Type: 0520M		Enclosure: TEFC	
Nameplate Data			460 V, 60 Hz: Single Voltage Motor		
Rated Output (HP)	1	Full Load Torque	2.97 LB-FT		
Volts	460	Start Configuration	direct on line		
Full Load Amps	1.6	Breakdown Torque	13.86 LB-FT		
R.P.M.	1760	Pull-up Torque	7.96 LB-FT		
Hz	60 Phase	3	Locked-rotor Torque	9.14 LB-FT	
NEMA Design Code	B KVA Code	N	Starting Current	14.35 A	
Service Factor (S.F.)	1.15	No-load Current	1.11 A		
NEMA Nom. Eff.	85.5	Power Factor	67	Line-line Res. @ 25°C	16.8 Ω
Rating - Duty	40C	AMB-CONT	Temp. Rise @ Rated Load 24°C		
S.F. Amps	1.8	Temp. Rise @ S.F. Load	28°C		
			Locked-rotor Power Factor	61.8256	
			Rotor inertia	0.144 lb-ft ²	

Load Characteristics 460 V, 60 Hz, 1 HP

% of Rated Load	25	50	75	100	125	150	S.F.
Power Factor	29	46	59	68	75	79	73
Efficiency	71.7	81.5	84.6	85.6	85.4	84.8	85.6
Speed	1791	1784	1776	1768	1759	1751	1763
Line amperes	1.14	1.25	1.4	1.61	1.84	2.1	1.73



CD0006



NOTES:

1. THREE LEAD MOTOR MAY BE EITHER WYE CONNECTED OR DELTA CONNECTED.
2. INTERCHANGE ANY TWO LINE LEADS TO REVERSE ROTATION.
3. OPTIONAL THERMOSTATS ARE PROVIDED WHEN SPECIFIED.
4. ACTUAL NUMBER OF INTERNAL PARALLEL CIRCUITS MAY VARY.
5. LEAD COLORS ARE OPTIONAL. LEADS MUST BE NUMBERED AS SHOWN.

CD0006

REV. DESC: ADD CLASS CONN00000007		
REV. LTR: E	VERSION: 01	TDR: 000001099922
FILE: \AAA\00005\141	REVISED: 10:24:49 02/19/2019	BY: ENBRIRO
MTL: -	© □	

BALDOR - RELIANCE®

3PH, SV, 3 LEADS, WYE OR DELTA CONNECTED

SH 1 of 1