

BALDOR® • RELIANCE 

Product Information Packet

IDBRPM25604

60HP, 1750, 460V, FL2578, TEBC, F3

Part Detail							
Revision:	A	Status:	PRD/A	Change #:		Proprietary:	No
Type:	AC	Elec. Spec:	L3381A	CD Diagram:	422927-001	Mfg Plant:	
Mech. Spec:		Layout:	617577-053	Poles:	04	Created Date:	10-20-2021
Base:		Eff. Date:	01-21-2022	Leads:			

Specs			
Catalog Number:	IDBRPM25604		
Enclosure:	TEBC		
Frame:	FL2578Z		
Frame Material:	Exposed Laminations		
Motor Letter Type:	Three Phase		
Output @ Frequency:	60.000 HP @ 60 HZ		
Synchronous Speed @ Frequency:	1800 RPM @ 60 HZ		
Voltage @ Frequency:	460.0 V @ 60 HZ		
Agency Approvals:	CCSA US		
Auxillary Box:	No Auxillary Box		
Base Indicator:	Rigid		
Bearing Grease Type:	Polyrex EM (-20F +300F)		
Current @ Voltage:	75.000 A @ 460.0 V		
Duty Rating:	CONT		
Feedback Device:	NO FEEDBACK		
Frame Prefix:	FL		
Heater Indicator:	No Heater		
Insulation Class:	H		

IP Rating:	NONE		
Mounting Arrangement:	F3		
Product Family:	General Industrial		
Pulley End Bearing Type:	Ball		
Pulley Face Code:	Standard		
Shaft Ground Indicator:	Shaft Grounding		
Shaft Rotation:	Reversible		
Motor Standards:	NEMA		
Thermal Device - Bearing:	None		
Thermal Device - Winding:	Normally Closed Thermostat		

Parts List		
Part Number	Description	Quantity
WS392727	WS F25-A000-0401	1.000 EA
RA389256	RA F25-A000-0401	1.000 EA
418018122A	LABEL	2.000 EA
033775004EA	DRSCR #6-1/4 304 S.S.	4.000 EA
000613006MY	NP-RPMAC INVERTER DUTY	1.000 EA
000692000NH	LABEL DIRECTION AIR FL	1.000 EA
418056062B	NP AC BLOWER DATA	1.000 EA
LB1613	LABEL, QR CODE, ADHESIVE LABEL	1.000 EA
000692000XM	LABEL QR CODE	1.000 EA
422927001	C/D LABEL	1.000 EA
807582004AAB	BRKT,ODE,L250	1.000 EA
807582003AAA	BRKT,DE,250AC	1.000 EA
BP5068BJ01	BRUSH, .187 X .187 X 1.00	2.000 EA
HA4054	SHORT T-DRAIN FITTING, .125" N.P.T.	1.000 EA
HA4054	SHORT T-DRAIN FITTING, .125" N.P.T.	1.000 EA
400638001H	SPRING WASHER (Customer number 43699)	1.000 EA
036610010AB	MHSLW M10 PLATED	4.000 EA
036000016DB	HHCS	4.000 EA
036100080KA	M10-1.50X 80MM HXSOCHDCS	3.000 EA
418057491A	LIFTING LUG	2.000 EA
036500010AB	METRIC NUT M10-1.5PLTD400	4.000 EA
036500010AB	METRIC NUT M10-1.5PLTD400	4.000 EA
609830005B	TBOLT L2158 AC VERSION	4.000 EA
BP5248	BP5248	2.000 EA

Parts List (continued)		
Part Number	Description	Quantity
613450002E	BLOWER WITH TERMINAL BOX	1.000 EA
415000103D	T/LUG #4AWG-1/0AWG W/HOLE FOR .250 BOLT	1.000 EA
706310640B	BACKPLATE GASKET C/BOX 706310-637	1.000 EA
417733004AC	GASK C/BOX	1.000 EA
708534051A	FL250 FAN GRILL	1.000 EA
418057260A	SCREW PHILLIPS PAN HD	4.000 EA
708534050A	BLOWER SHROUD	1.000 EA
036000012HB	HHCS M6X12MM LONG PLATED	3.000 EA
708534003A	BAFFLE, FAN/BLOWER	1.000 EA
418057256F	HHCS M6 12MM ZINCPLAT	1.000 EA
418057373A	SCREW SHEET METAL	7.000 EA
418018074A	GROUND LABEL G100 METRIC 160 D.C.	1.000 EA
708533003A	PLATE, BTM FAN/BLOWER	2.000 EA
406673002C	.75 CAP PLUG	1.000 EA
036620009AB	M8 EXTERNAL LK WASHER	1.000 EA
706310638A	BACK PLATE FOR 706310-637 WITH 3.12" BOL	1.000 EA
423709011A	WASHER	8.000 EA
418057056A	ADAPTER ENGLISH CAMER	1.000 EA
706310637A	C/BOX, MILL, RPMAC,9X9X4, 375IN^3	1.000 EA
706310641A	LIPPED CBOX LID FOR 706310-642	1.000 EA
706310640A	LID GASKET C/BOX 706310-637	1.000 EA
036010012HB	HHCS T/BOX BRACE	16.000 EA
036000012HB	HHCS M6X12MM LONG PLATED	4.000 EA
034180024GA	KEY 1/2X1/2X3 L	1.000 EA

Product Information Packet: IDBRPM25604 - 60HP,1750,460V,FL2578,TEBC,F3

000640000P	TAG WINDING THERMOST	1.000 EA
004824007CQR	C2 PAINT SYSTEM MEDIUM GRAY CHARCOAL MET	0.100 EA
LB1549	LABEL, BLANK 1.375 X 2.250 IMPRINTABLE	1.000 EA

REL S.O.	-	VOLTS	460	ENCLOSURE	TEBC	WYE	CONN EQ	CKT OHMS	PER PHASE	
FRAME	FL2578	AMPS	75	MAX SAFE RPM	5000	(AT BASE RATING, 25 °C)	R1	.0612	X1	.309
HP	60	DUTY	CONT	IM (AMPS)	35	R2	.0409	X2	.427	
BASE SPEED	1775	S.F.	1.0	P.F. @NL/FL	.048 / .819	XM	7.77			
PHASE/HERTZ	3/60	AMB °C/INSUL	40/H	WK ² (lb-ft ²)	4.2					

RATED FULL LOAD DATA

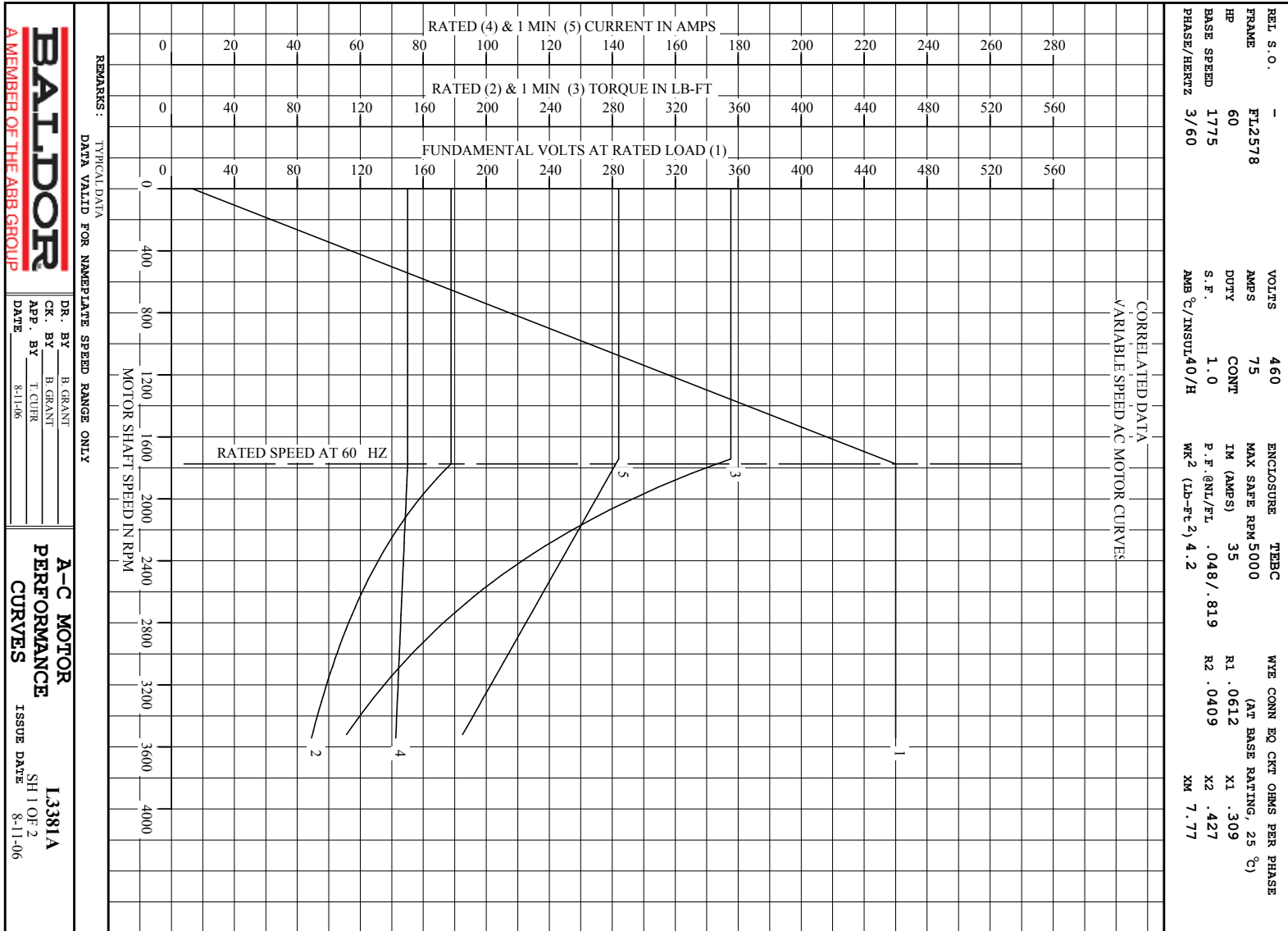
	RPM	HP	TORQUE LB-FT	FUND VOLTS	FREQ-HZ	AMPS
BASE SPEED	1774	60.0	178	460	60	75.0
MAX SPEED	3542	60.0	89	460	120	71.2
MIN SPEED	0	0	178	13.4	.865	75.0

LOAD PERFORMANCE AT BASE SPEED

	RPM	HP	TORQUE LB-FT	FUND VOLTS	FREQ-HZ	AMPS
NO LOAD	1800	0	0	460	60	34.3
1/4	1794	15.0	44	460	60	38.9
1/2	1788	30.0	88	460	60	48.1
3/4	1781	45.0	133	460	60	60.6
FULL LOAD	1774	60.0	178	460	60	75.0
O/L	1742	118	355	460	60	142

REMARKS: TYPICAL DATA
CORRELATED DATA

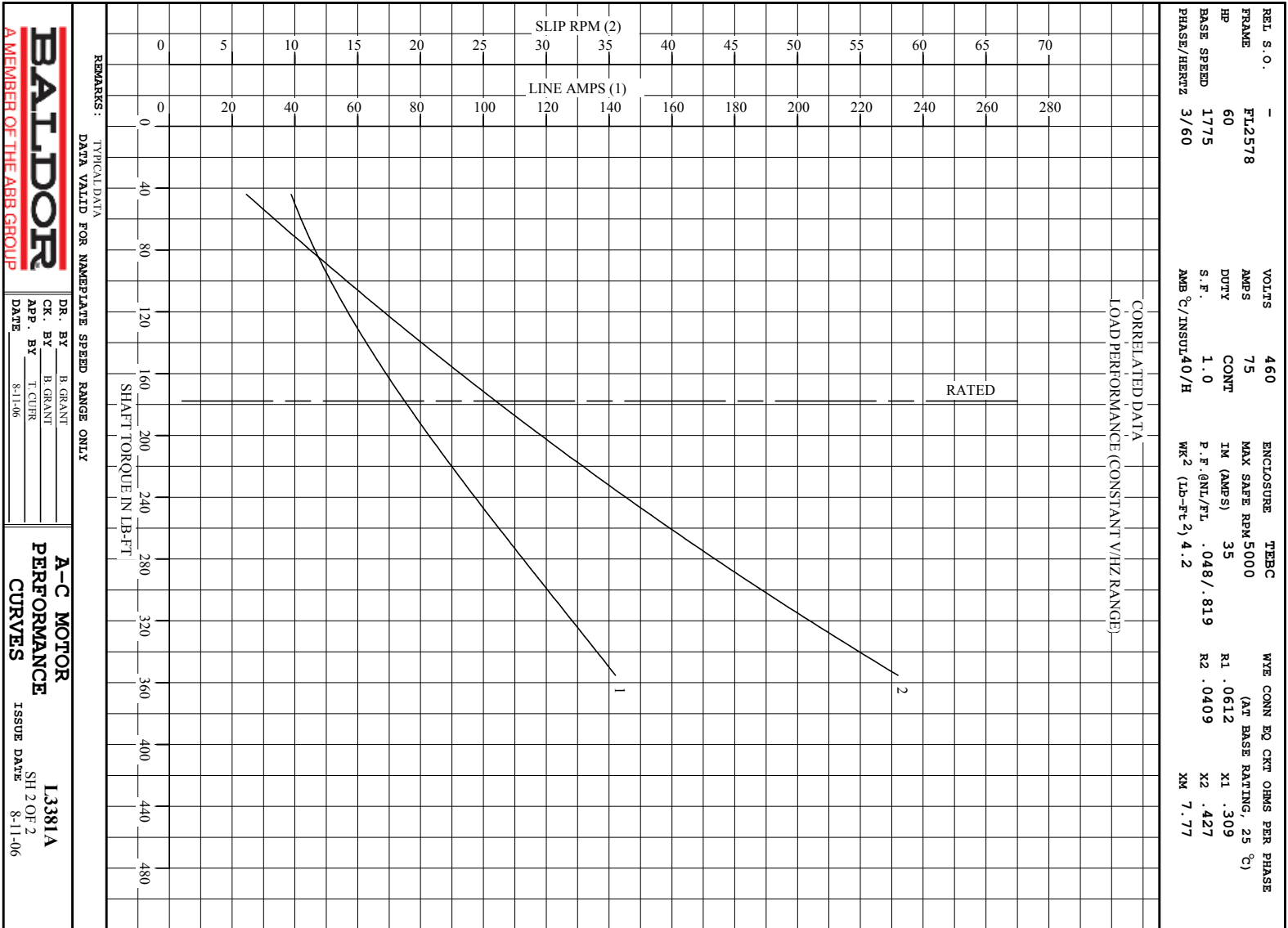
 <p>A MEMBER OF THE ABB GROUP</p>	DR. BY	B. GRANT	<p>A-C MOTOR PERFORMANCE DATA</p> <p>I3381A 8-11-06</p>
	CR. BY	B. GRANT	
	APP. BY	T. CUER	
	DATE	8-11-06	



BALDOR
A MEMBER OF THE ABB GROUP

DR. BY B. GRANT
CR. BY H. GRANT
APP. BY T. CURR
DATE 8-11-06

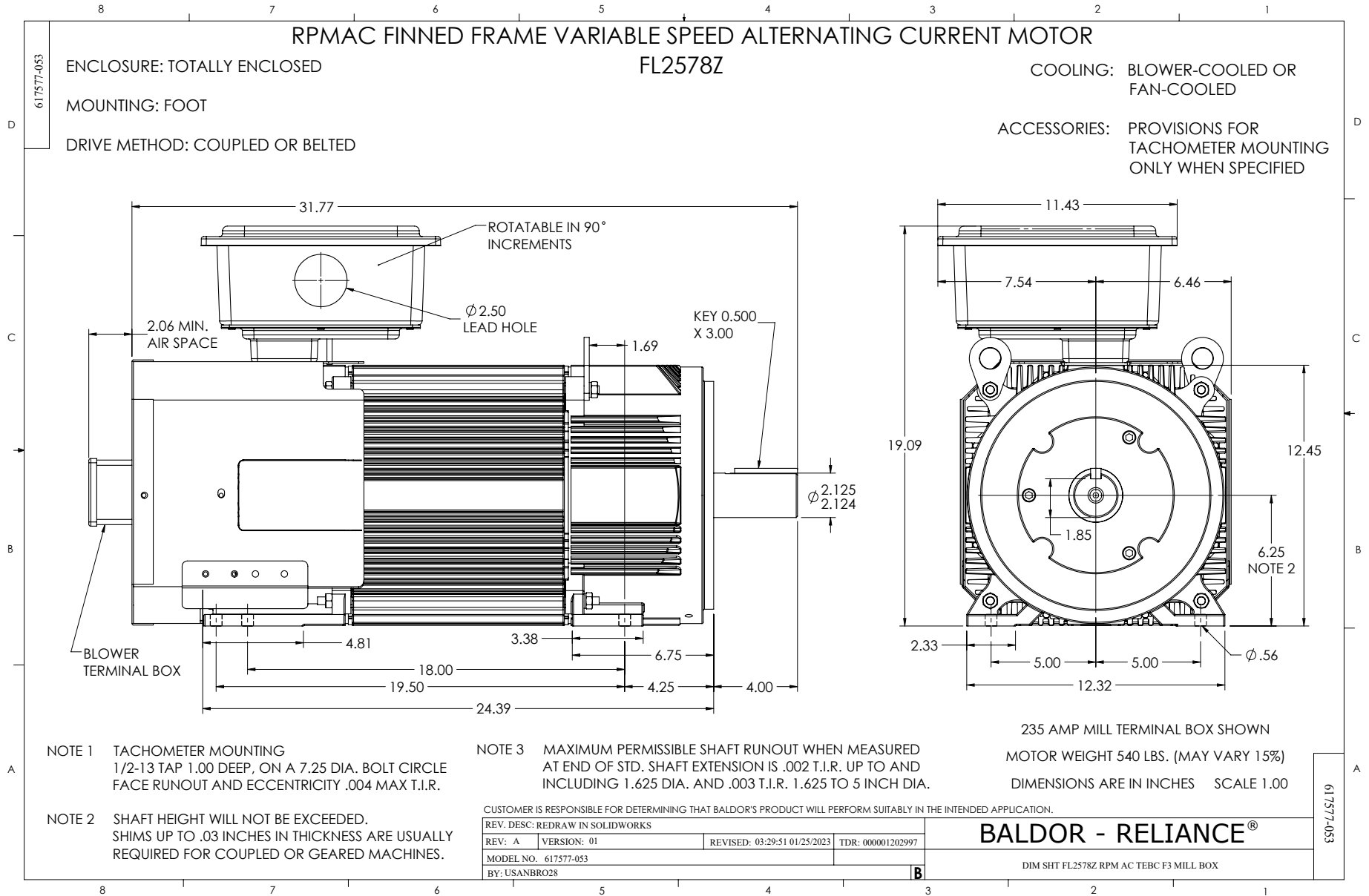
A-C MOTOR
PERFORMANCE
CURVES
ISSUE DATE 8-11-06
I3381A
SH 1 OF 2



BALDOR
A MEMBER OF THE ABB GROUP

DR. BY B. GRANT
CR. BY H. GRANT
APP. BY T. CURR
DATE 8-11-06

A-C MOTOR
PERFORMANCE
CURVES
I3381A
SH 2 OF 2
ISSUE DATE 8-11-06

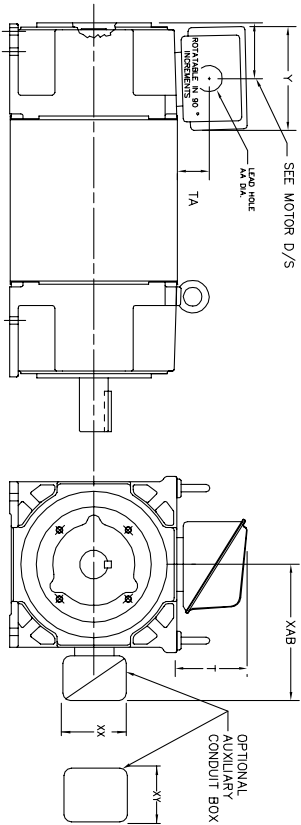


616779-050

INDUSTRIAL ALTERNATING CURRENT MOTORS

RPM AC

STEEL, CAST IRON, MILL AND TERMINAL BOARD CONDUIT BOX DIMENSIONS
 NEMA FRAMES RL210 thru RL280 and IEC FRAMES RDL132 thru RDL180
 NEMA FRAMES FL180 thru FL280 and IEC FRAMES FDL112 thru FDL180



FRAME	TYPE	TERMINAL STRIPS	AMPS	C/BOX	Y	TA	T	AA
FL180	STEEL	N	40	7063200035A	5.00	1.62	3.00	1.12
FL180	STEEL	Y/N	75	7063200035A	6.12	2.38	4.38	1.75/2.00
FL180	CAST IRON	N	208	7063200077A	7.62	2.00	7.00	2.50/3.00
FL180 & FDL11	CAST IRON	Y/N	60	706320004C	5.75	2.38	4.38	1.0 TAP
FL180 & FDL11	MILL	Y	100	706310056A	7.75	2.30	4.40	PG29/PG16

FL210 & RL210	STEEL	N	61	0754520008	6.34	2.00	4.12	1.75
FL210 & RL210	STEEL	N	121	075454001AJ	7.69	2.38	5.25	1.94
FL210 & RL210	CAST IRON	N	305	0754600258	7.00	4.12	8.44	4.59
FL210 & RL210	CAST IRON	N	110	7063102258	7.43	2.50	5.25	1.5 TAP
FL210 & RL210	MILL	Y	100	7063102258	7.75	2.30	4.40	PG29/PG16
FL210 & RL210	MILL	Y	160	7063102258	9.00	3.06	5.40	PG36/PG16
FL210 & RL210	MILL	Y/N	235	706310637A	11.42	4.00	6.72	2.50

FL250 & RL250	STEEL	N	61	0754520008	6.34	2.00	4.12	1.75
FL250 & RL250	STEEL	N	121	075454001AJ	7.69	2.38	5.25	1.94
FL250 & RL250	STEEL	N	305	706320016A	9.00	4.12	8.44	4.59
FL250 & RL250	CAST IRON	N	110	0754600258	7.25	2.50	3.25	1.5 TAP
FL250 & RL250	CAST IRON	N	210	7063102258	7.60	4.59	5.00	4.0 TAP
FL250 & RDL16	MILL	Y	100	706310056A	7.75	2.30	4.40	PG29/PG16
FL250 & RDL16	MILL	Y	160	7063102258	9.00	3.06	5.40	PG36/PG16
FL250 & RDL16	MILL	Y/N	235	706310637A	11.42	4.00	6.72	2.50
FL250 & RDL16	MILL	Y	400	7063100638	14.39	7.43	12.15	BLANK

FL280 & RL280	STEEL	N	160	706320009A	7.25	3.50	7.06	2.50
FL280 & RL280	STEEL	N	305	706320016A	9.00	4.12	8.44	4.59
FL280 & RL280	CAST IRON	N	500	706320016A	14.92	7.56	12.70	5.00
FL280 & RL280	CAST IRON	N	210	706320013A	10.50	4.89	8.00	3.0 TAP
FL280 & RL280	CAST IRON	N	510	706320014D	15.00	7.56	12.81	5.0 TAP
FL280 & RDL16	MILL	Y	100	706310056A	7.75	2.30	4.40	PG29/PG16
FL280 & RDL16	MILL	Y	160	706310056B	9.00	3.06	5.40	PG36/PG16
FL280 & RDL16	MILL	Y/N	235	706310637A	11.42	4.00	6.72	2.50
FL280 & RDL16	MILL	Y	400	7063100638	14.39	7.43	12.15	BLANK

FRAME SIZE	XAB	XX	XY	OPTIONAL AUXILIARY CONDUIT BOX DIMENSIONS (MAXIMUM)	XAB	XX	XY	PART NUMBER
FL210/RL210/FL210/ML180	7.38	4.25	4.25	602B07-25-A	10.88	8.00	8.00	706310-3-B
FL250/RL250/FL250/ML180	8.44	4.25	4.25	602B07-25-A	11.88	8.00	8.00	706310-3-B
FL280/RL280/FL280/ML180	9.12	4.25	4.25	602B07-25-A	12.62	8.00	8.00	706310-3-B

- (1) 1/4" CONDUIT
- (2) 1/2" CONDUIT
- (3) CUSTOMER TO PROVIDE HOLE FOR CONDUIT
- (4) 2" DN -5A OR 1" TAP DN -4C

TERMINAL BOX CAN BE REPAIRED FOR LEAD OUTLET AT TOP, SIDES OR BOTTOM.
 TERMINAL BOX LOCATED ON REPAIR SIDE WHEN F2, W, N SPECIFIED.
 OR C-1 MOUNTING IS SPECIFIED. BOX LOCATED ON TOP WHEN SPECIFIED.

050-676191

CUSTOMER IS RESPONSIBLE FOR DETERMINING THAT BALDOR'S PRODUCT WILL PERFORM SUITABLY IN THE INTENDED APPLICATION.

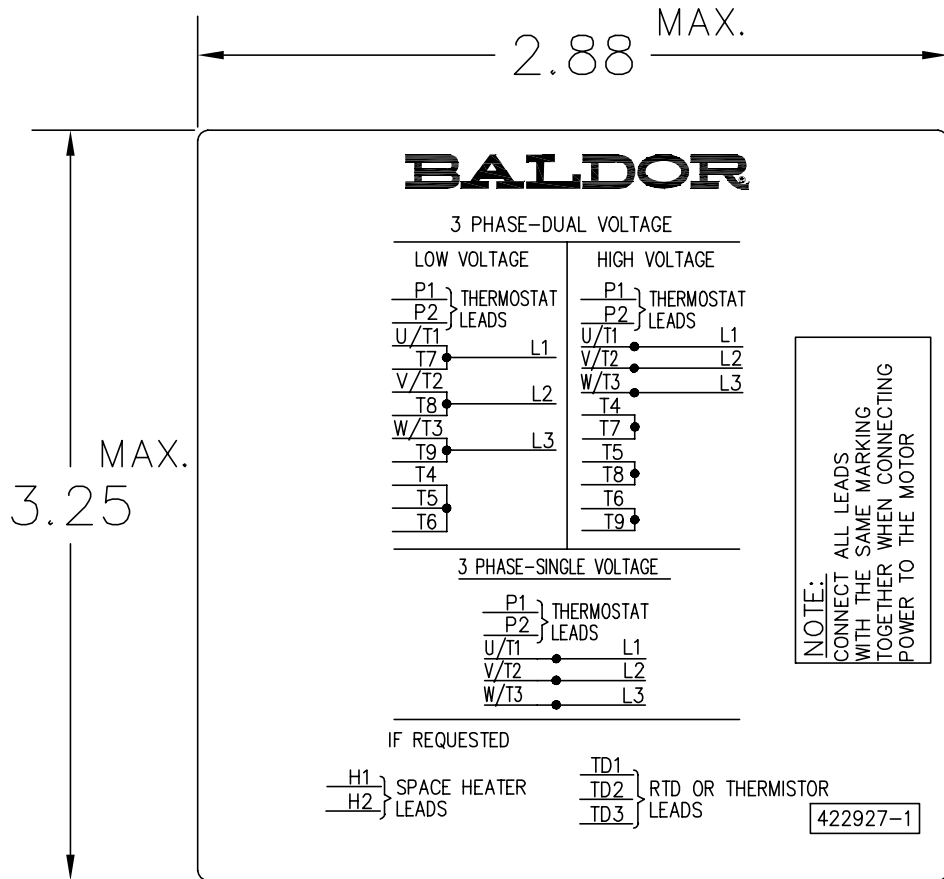
REV. DESC: ADD 706310-637 & 639 BOX	TDR: 00001180260
REV. LTR: F	VERSION: 06
FILE: \RGG\00003\692	REVISED: 11:08:56 10/26/2021
MTL: 1	BY: RGRW

BALDOR - RELIANCE®

DIM SHT NEMA RL210-RL280 FL180-FL280 IEC RDL132-RDL180

SH 1 of 1

422927-001



NOTE:
DATA TO BE SIZED
SO THAT IT FITS INTO
MATERIAL DECAL
DIMENSIONS. MAKE
LETTERS & NUMBERS
AS LARGE AS POSSIBLE.

MATERIAL: CERAMATIC DGF-P4
PERMA GRIP ADHESIVE

ALL LETTERS, NUMBERS
AND LINES TO BE BLACK
ON WHITE BACKGROUND.

REV. DESC: CHANGE BACKGROUND COLOR FROM GOLD TO WHITE		
REV. LTR: B	VERSION: 02	TDR: 000000788708
FILE: \RGG\00000\203	REVISED: 08:09:29 03/04/2013	
MTL: -	BY: RGGWT	

BALDOR

EXTERNAL CONNECTION LABEL

SH 1 of 1

422927-001

Marketing maintained PDF of MN406:

<http://www.baldor.com/support/Literature/Load.ashx/MN406?ManNumber=MN406>