

BALDOR® • RELIANCE 

Product Information Packet

IDDRPM282004

200HP,1760RPM,3PH,NAHZ,RL2898,DPG-FV,FT

Part Detail							
Revision:	A	Status:	PRD/A	Change #:		Proprietary:	No
Type:	AC	Elec. Spec:	L1642A	CD Diagram:	422927-001	Mfg Plant:	
Mech. Spec:		Layout:	617249-001	Poles:	04	Created Date:	04-10-2015
Base:		Eff. Date:	10-24-2019	Leads:			

Specs			
Catalog Number:	IDDRPM282004		
Enclosure:	DPFV		
Frame:	RL2898		
Frame Material:	Exposed Laminations		
Output @ Frequency:	200.000 HP @ 60 HZ		
Synchronous Speed @ Frequency:	1800 RPM @ 60 HZ		
Voltage @ Frequency:	460.0 V @ 60 HZ		
Agency Approvals:	CCSA US		
	UR		
Auxillary Box:	No Auxillary Box		
Base Indicator:	Rigid		
Bearing Grease Type:	Polyrex EM (-20F +300F)		
Current @ Voltage:	237.000 A @ 460.0 V		
Duty Rating:	CONT		
Enclosure Modification:	FORCE VENT		
Feedback Device:	NO FEEDBACK		
Frame Prefix:	RL		
Heater Indicator:	No Heater		

Insulation Class:	H		
Mounting Arrangement:	F1		
Product Family:	General Industrial		
Pulley End Bearing Type:	Ball		
Pulley Face Code:	Standard		
Shaft Ground Indicator:	No Shaft Grounding		
Shaft Rotation:	Reversible		
Motor Standards:	NEMA		
Thermal Device - Bearing:	None		
Thermal Device - Winding:	Normally Closed Thermostat		

Nameplate 000613006MY										
	DUTY	HP	RPM	AMPS	VOLTS	HZ				
	CONT	200	1760	237	460	60				
	CONT	200	2700	241	460	92.2				
CAT.NO.	IDDRPM282004		SPEC. NO.		P28R0310					
SER.NO.			FR	RL 2898		INSUL	H			
PH.	3		MAX SAFE SPEED	5000		AMB.	40		MIN. AMB.	-25
DESIGN NO.	L1642A		TYPE			ENCL.	DP			
S.F.	1.0		D.E. BRG.	75BC02J30X						
ENCL MOD	FORCE VENT		O.D.E. BRG.	55BC02J30X						

Parts List		
Part Number	Description	Quantity
WS286671	WS P28R0310	1.000 EA
RA282879	RA P28R0310	1.000 EA
000692000FP	NP, WARNING LIFT INSTRUCTIONS	1.000 EA
033775004EA	DRSCR #6-1/4 304 S.S.	8.000 EA
000613006MY	NP-RPMAC INVERTER DUTY	1.000 EA
000692000LD	NP	1.000 EA
000692000VD	LABEL WARNING	1.000 EA
422927001	C/D LABEL	1.000 EA
004824015A	GREASE POLYREX EM	0.300 LB
034693001AB	PPLG - G508- use 034692001AB	1.000 EA
034693001AB	PPLG - G508- use 034692001AB	1.000 EA
035000001A	ALFTG 1/8" 1610-BL	1.000 EA
035000001A	ALFTG 1/8" 1610-BL	1.000 EA
036100080JA	HSHCS M8 80MM UNPLATED	3.000 EA
036100080KA	M10-1.50X 80MM HXSOCHDCS	3.000 EA
036140001D	EYEBOLT - 360	2.000 EA
036500011AB	METRIC NUT M12-1.75 PLT.	4.000 EA
036500011AB	METRIC NUT M12-1.75 PLT.	4.000 EA
400638001G	WAVEN (Customer number 43699)	1.000 EA
418150003A	GREASE FITTING CAP	2.000 EA
HA4054	SHORT T-DRAIN FITTING, .125" N.P.T.	1.000 EA
HA4054	SHORT T-DRAIN FITTING, .125" N.P.T.	1.000 EA
609830005ACE	TBOLT L2898	4.000 EA
807529002AAE	BRKT,DE,RL280 807529001WCB	1.000 EA

Parts List (continued)		
Part Number	Description	Quantity
807529003ACB	BRKT,ODE,RL280	1.000 EA
000613006NT	NAME PLATE IEC	1.000 EA
032018004DK	HHCS,DRIP COVER	4.000 EA
032018006CK	HHCS 3/8-16X3/4L PLATED 411409	4.000 EA
034017014AB	LCKW 3/8 STD. PLATED	4.000 EA
034017016AB	LCKW 1/2" PLATED	4.000 EA
036000012HB	HHCS M6X12MM LONG PLATED	4.000 EA
036000012JB	M8-1.25 X 12MM HXHDC	3.000 EA
036000012JB	M8-1.25 X 12MM HXHDC	4.000 EA
036000016KB	HHCSM10-1.5X16MM PLTD-280	2.000 EA
036000016KF	HHCS M10 16MM BRASS	2.000 EA
036000020JB	HHCS M8-1.25X20L PLTD-250	8.000 EA
036000045JB	M8-1.25 X 45MM HXHCS	4.000 EA
036600009AB	METRIC FLWASH M8 PLATED	3.000 EA
036620009AB	M8 EXTERNAL LK WASHER	3.000 EA
036620010AB	M10 EXT. TOOTH LK WASHER	2.000 EA
077176001A	CBOXC, PAINTED 360-400	1.000 EA
402731001A	GASK 360-440	1.000 EA
410978010C	FLANGE, INLET BLOWER HSG.	1.000 EA
410978019A	SCREEN, INLET FLANGE	1.000 EA
417733004J	GASKT	2.000 EA
418018074A	GROUND LABEL G100 METRIC 160 D.C.	3.000 EA
422919360	HHCVR KIT,RL280, DE, LOUVERED	1.000 EA
422919360	HHCVR KIT,RL280, DE, LOUVERED	1.000 EA

Product Information Packet: IDDRPM282004 - 200HP,1760RPM,3PH,NAHZ,RL2898,DPG-FV,FT

609843001AH	GASKET RL280 (HHCVR)	1.000 EA
610490001AH	.75HP,3450//2850RPM,3PH,60//50HZ,56C,351	1.000 EA
415000103E	T/LUG #4AWG-1/0AWG W/HOLE FOR .375 BOLT	1.000 EA
611965001A	WHEEL, BLOWER	1.000 EA
706305301A	GUARD, SHAFT	1.000 EA
706320016A	CONDUIT BOX	1.000 EA
708528004J	BLOWER HOUSING	1.000 EA
000640000P	TAG WINDING THERMOST	1.000 EA
004824007K	SPECIAL PAINT	0.100 EA
034180032HA	KEY 5/8X5/8X4 L bin stocked	1.000 EA
418018116	WARNING PLATE	1.000 EA
418014004A	609185004cDPT/BOX	1.000 EA

REL. S. O. -
 FRAME RL2898
 HP 200
 BASE SPEED 1760
 PHASE/HERTZ 3/60

VOLTS 460
 AMPS 237
 DUTY CONT 1.0
 S.F. P.F. 1.0
 AMB °C/INSUL 40/H

ENCLOSURE
 MAX SAFE RPM 5000
 IM (AMPS) 72
 P.F. @NL/FL .052/.867
 WK² (LB-FT²) 11.1

DPFV
 WYE CONN EQ CKT OHMS PER PHASE (AT BASE RATING, 25 °C)
 R1 .0208 X1 .148
 R2 .0154 X2 .153
 XM 3.75


RATED FULL LOAD DATA

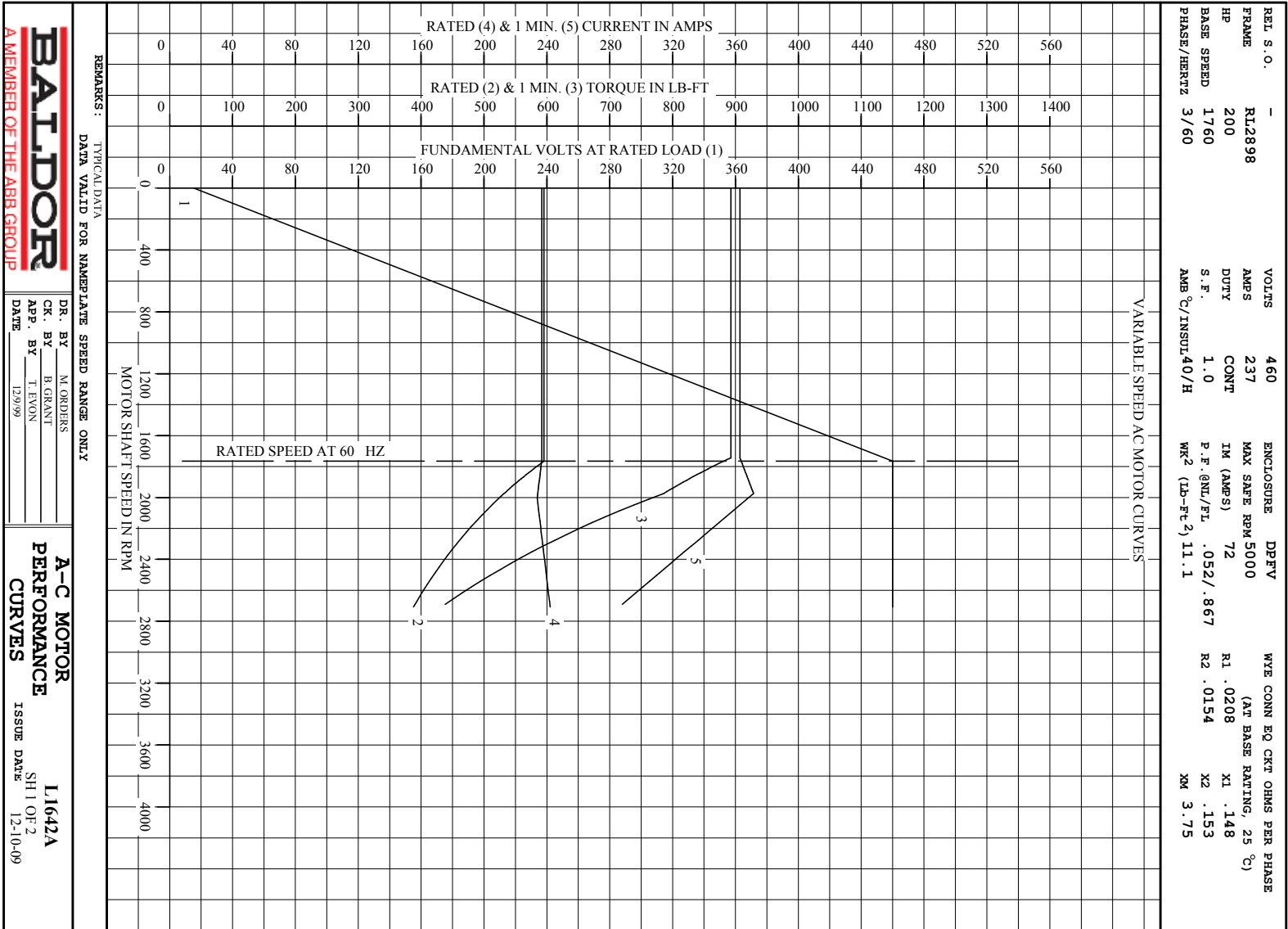
	RPM	HP	TORQUE LB-FT	FUND VOLTS	FREQ-HZ	AMPS
BASE SPEED	1766	200	595	460	60	237
MAX SPEED	2707	200	388	460	92.2	242
MIN SPEED	0	0	595	15.3	1.13	237

LOAD PERFORMANCE AT BASE SPEED

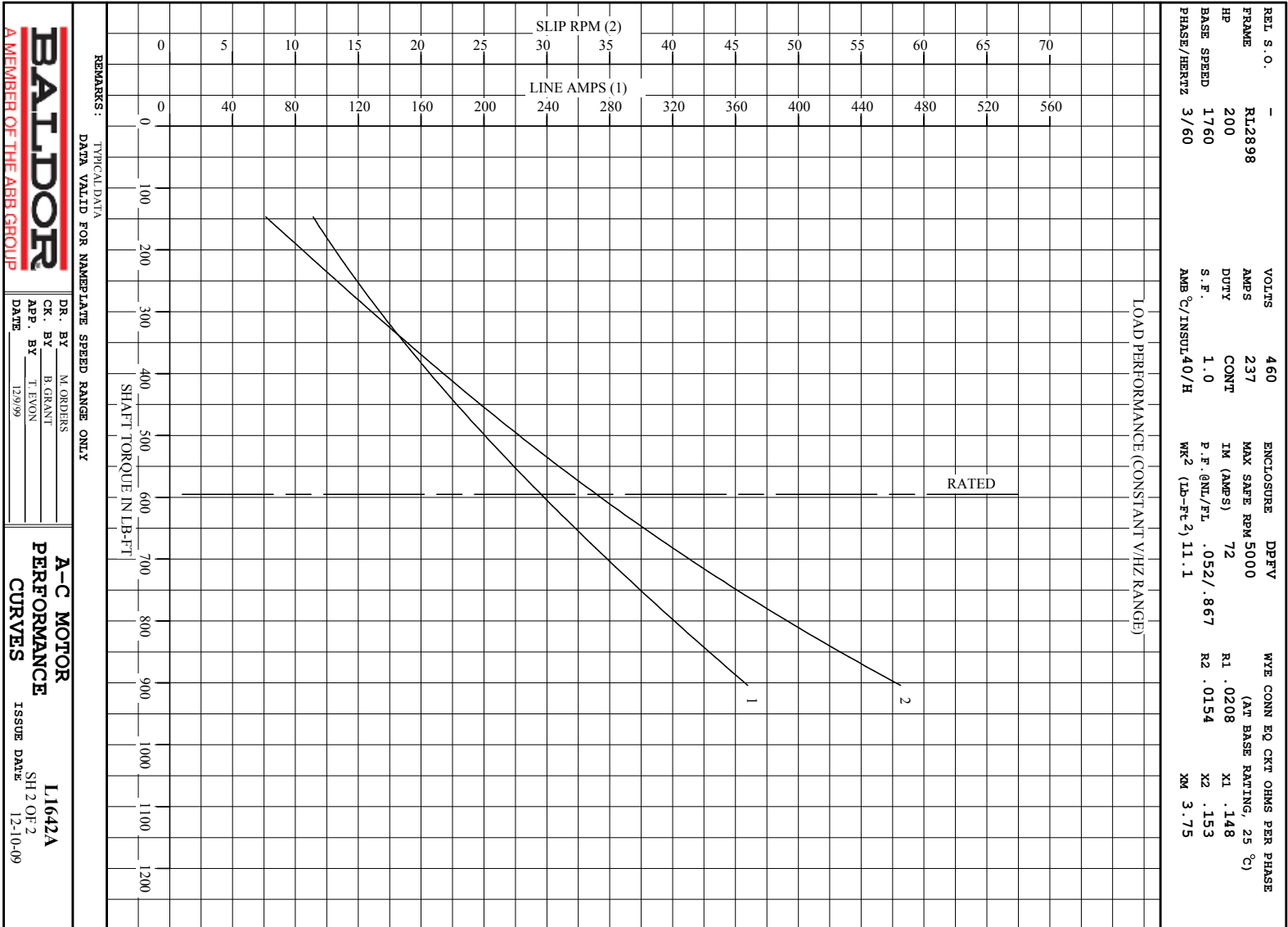
	RPM	HP	TORQUE LB-FT	FUND VOLTS	FREQ-HZ	AMPS
NO LOAD	1800	0	0	460	60	70.5
1/4	1792	50.0	147	460	60	91.5
1/2	1784	100	294	460	60	131
3/4	1776	150	444	460	60	181
FULL LOAD	1766	200	595	460	60	237
O/L	1743	296	893	460	60	363

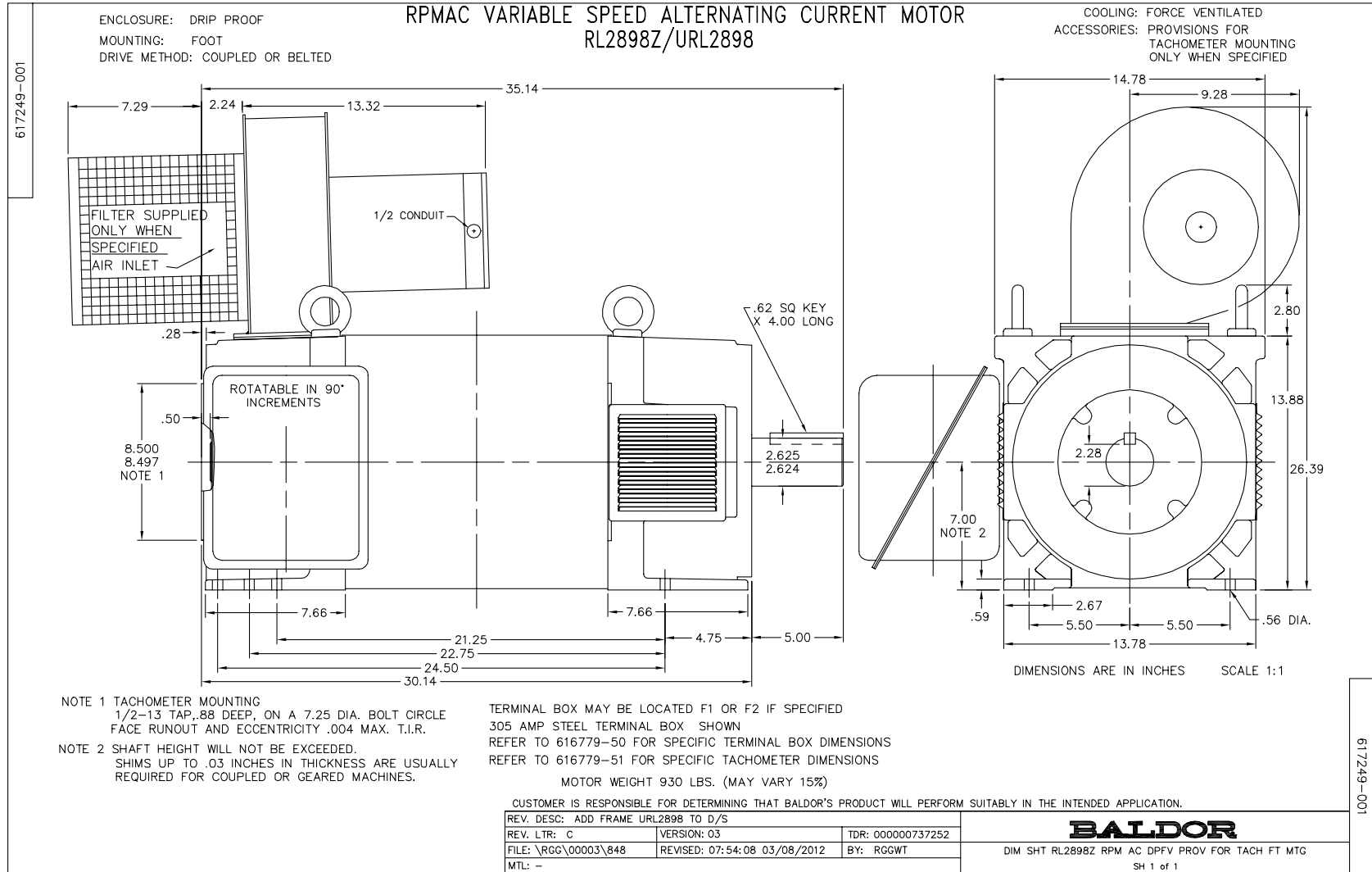
REMARKS: TYPICAL DATA

 A MEMBER OF THE ABB GROUP	DR. BY _____	M. ORDERS	A-C MOTOR PERFORMANCE DATA L1642A ISSUE DATE 12-10-09
	CK. BY _____	B. GRANT	
	APP. BY _____	T. EVON	
	DATE 12/9/99		



1



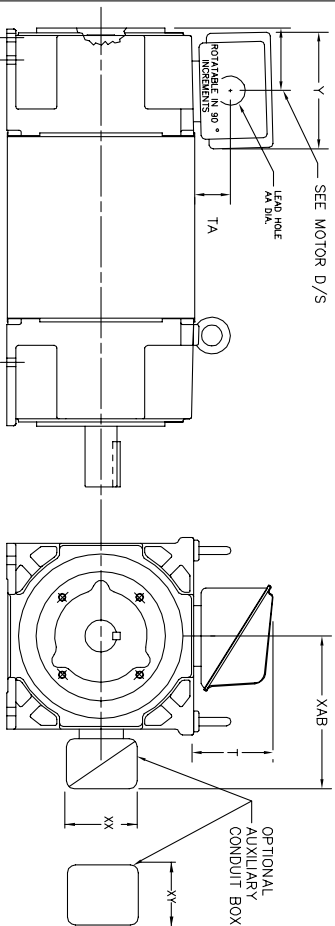


616779-050

INDUSTRIAL ALTERNATING CURRENT MOTORS

RPM AC

STEEL, CAST IRON, MILL AND TERMINAL BOARD CONDUIT BOX DIMENSIONS
 NEMA FRAMES RL210 thru RL280 and IEC FRAMES RDL132 thru RDL180
 NEMA FRAMES FL180 thru FL280 and IEC FRAMES FDL112 thru FDL180



FRAME	TYPE	TERMINAL STRIP	AMPS	C/BOX	Y	TA	T	AA
FL180	STEEL	N	40	706320003A	5.00	1.62	3.00	1.12
FL180	STEEL	Y/N	7/5	706320005A	6.12	2.38	4.38	1.75/2.00
FL180	STEEL	N	208	706320007A	7.62	2.00	7.00	2.50/3.00
FL180 & FDL11	CAST IRON	Y/N	60	706320004C	5.75	2.38	4.38	1.0 TAP
FL180 & FDL11	MILL	Y	100	706310056A	7.75	2.30	4.40	PG29/PG16

FL210 & RL210	STEEL	N	61	075452000B	6.34	2.00	4.12	1.75
FL210 & RL210	STEEL	N	121	075454001AJ	7.69	2.38	5.25	1.94
FL210 & RL210	STEEL	N	305	706320016A	9.00	4.12	8.44	4.59
FL210 & RL210	CAST IRON	N	110	075460062B	7.25	2.50	5.25	1.5 TAP
FL210 & RL210	MILL	Y	100	706310225R	7.75	2.30	4.40	PG29/PG16
FL210 & RL210	MILL	Y	160	706310226R	9.00	3.06	5.40	PG36/PG16
FL210 & RL210	MILL	Y	160	706310056B	9.00	3.06	5.40	PG36/PG16
FL210 & RL210	MILL	Y	400	706310063B	14.39	7.43	12.15	BLANK

FL250 & RL250	STEEL	N	61	075452000B	6.34	2.00	4.12	1.75
FL250 & RL250	STEEL	N	121	075454001AJ	7.69	2.38	5.25	1.94
FL250 & RL250	STEEL	N	305	706320016A	9.00	4.12	8.44	4.59
FL250 & RL250	CAST IRON	N	110	075460062B	7.25	2.50	5.25	1.5 TAP
FL250 & RL250	CAST IRON	N	210	706320013A	10.50	4.88	9.00	4.0 TAP
FL250 & RL250	MILL	Y	100	706310056A	7.75	2.30	4.40	PG29/PG16
FL250 & RL250	MILL	Y	160	706310225R	7.75	2.30	4.40	PG29/PG16
FL250 & RL250	MILL	Y	160	706310056B	9.00	3.06	5.40	PG36/PG16
FL250 & RL250	MILL	Y	400	706310063B	14.39	7.43	12.15	BLANK

FL280 & RL280	STEEL	N	160	706320009A	7.25	3.50	7.06	2.50
FL280 & RL280	STEEL	N	305	706320016A	9.00	4.12	8.44	4.59
FL280 & RL280	STEEL	N	500	702658001C	14.62	7.56	12.70	5.00
FL280 & RL280	CAST IRON	N	140	706320012B	9.25	4.81	8.56	3.0 TAP
FL280 & RL280	CAST IRON	N	210	706320013A	10.50	4.88	9.00	4.0 TAP
FL280 & RL280	CAST IRON	N	510	706320014D	15.00	7.56	12.81	5.0 TAP
FL280 & RL280	MILL	Y	100	706310056A	7.75	2.30	4.40	PG29/PG16
FL280 & RL280	MILL	Y	160	706310056B	9.00	3.06	5.40	PG36/PG16
FL280 & RL280	MILL	Y	160	706310056B	9.00	3.06	5.40	PG36/PG16
FL280 & RL280	MILL	Y	400	706310063B	14.39	7.43	12.15	BLANK

FRAME SIZE	OPTIMAL AUXILIARY CONDUIT BOX DIMENSIONS (MAXIMUM)								
	XAB	XX	XY	PART NUMBER	FRAME SIZE	XAB	XX	XY	PART NUMBER
FL180/TL180/RL180/FL112	7.38	4.25	4.25	603007-26-A	FL180/TL180/RL180/FL112	10.88	8.00	8.00	706310-3-B
FL210/TL210/RL210/FL132	8.44	4.25	4.25	603007-26-A	FL210/TL210/RL210/FL132	11.88	8.00	8.00	706310-3-B
FL250/TL250/RL250/FL152	9.12	4.25	4.25	603007-26-A	FL250/TL250/RL250/FL152	12.62	8.00	8.00	706310-3-B

- (1) TAP CONDUIT
- (2) TAP PIPE TAP
- (3) CUSTOMER TO PROVIDE HOLE FOR CONDUIT.
- (4) 2" DN -5A or 1" TAP DN -4C

TERMINAL BOX CAN BE KEPT FOR LEAD OUTLET AT TOP SIDES OR BOTTOM SIDES AT LEAD OUTLETS. LEAD OUTLETS ARE LOCATED ON TOP WHEN SPECIFIED.

050-667919

CUSTOMER IS RESPONSIBLE FOR DETERMINING THAT BALDOR'S PRODUCT WILL PERFORM SUITABLY IN THE INTENDED APPLICATION.

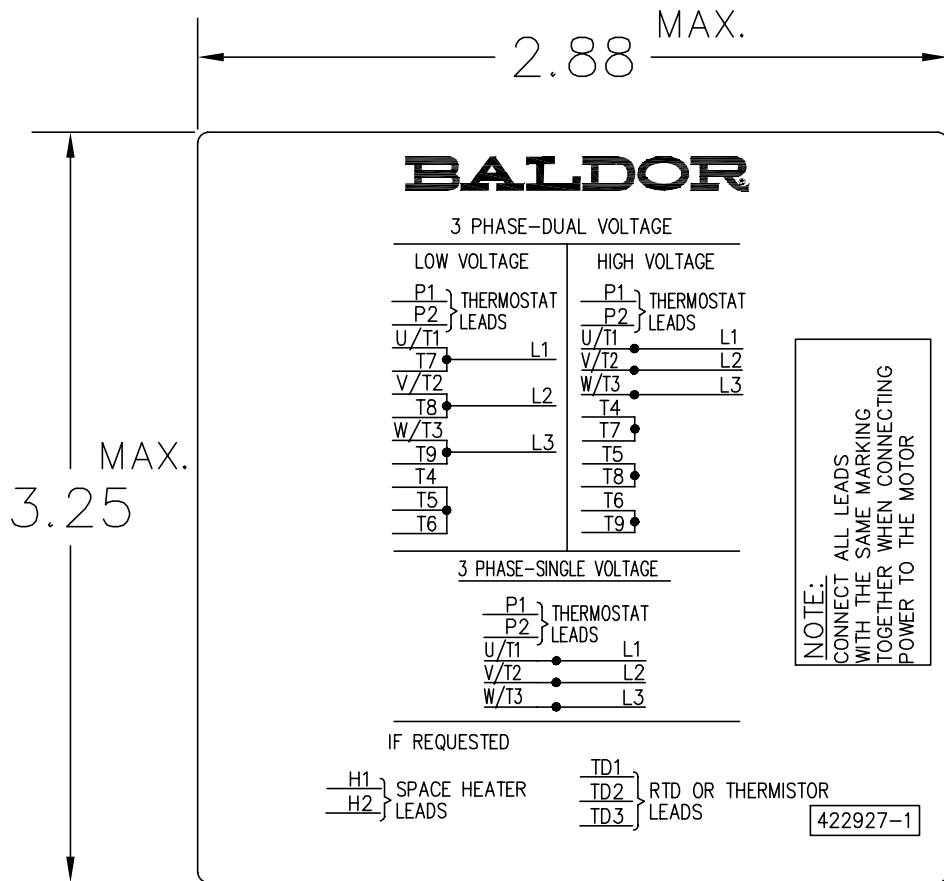
REV. DESC: ADD C/BOX 706310-225 & -226R	VERSION: 05	TDR: 000001093792
REV. LTR: E	REVISED: 07: 27: 52 12/18/2018	BY: RGGWT
FILE: \RGG\00003\692		
MTL: -		

BALDOR - RELIANCE®

DIM SHT NEMA RL210-RL280 FL180-FL280 IEC RDL132-RDL180

SH 1 of 1

422927-001



NOTE:
DATA TO BE SIZED
SO THAT IT FITS INTO
MATERIAL DECAL
DIMENSIONS. MAKE
LETTERS & NUMBERS
AS LARGE AS POSSIBLE.

MATERIAL: CERAMATIC DGF-P4
PERMA GRIP ADHESIVE

ALL LETTERS, NUMBERS
AND LINES TO BE BLACK
ON WHITE BACKGROUND.

422927-001

REV. DESC: CHANGE BACKGROUND COLOR FROM GOLD TO WHITE		
REV. LTR: B	VERSION: 02	TDR: 000000788708
FILE: \RGG\00000\203	REVISED: 08:09:29 03/04/2013	
MTL: -	BY: RGGWT	

BALDOR

EXTERNAL CONNECTION LABEL

SH 1 of 1

Marketing maintained PDF of MN406:

<http://www.baldor.com/support/Literature/Load.ashx/MN406?ManNumber=MN406>