

BALDOR® • RELIANCE 

Product Information Packet

IDFRPM25304C

30HP, 1750, 460V, FL2570, TEFC, F3

Part Detail							
Revision:	B	Status:	PRD/A	Change #:		Proprietary:	No
Type:	AC	Elec. Spec:	L3379A	CD Diagram:	422927-001	Mfg Plant:	
Mech. Spec:		Layout:	617573-083	Poles:	04	Created Date:	10-27-2021
Base:		Eff. Date:	01-21-2022	Leads:			

Specs			
Catalog Number:	IDFRPM25304C		
Enclosure:	TEFC		
Frame:	FL2570C		
Frame Material:	Exposed Laminations		
Motor Letter Type:	Three Phase		
Output @ Frequency:	30.000 HP @ 60 HZ		
Synchronous Speed @ Frequency:	1800 RPM @ 60 HZ		
Voltage @ Frequency:	460.0 V @ 60 HZ		
Agency Approvals:	CCSA US		
Auxillary Box:	No Auxillary Box		
Base Indicator:	Rigid		
Bearing Grease Type:	Polyrex EM (-20F +300F)		
Current @ Voltage:	39.000 A @ 460.0 V		
Duty Rating:	CONT		
Feedback Device:	NO FEEDBACK		
Frame Prefix:	FL		
Heater Indicator:	No Heater		
Insulation Class:	H		

IP Rating:	NONE		
Mounting Arrangement:	F3		
Product Family:	General Industrial		
Pulley End Bearing Type:	Ball		
Pulley Face Code:	C-Face		
Shaft Ground Indicator:	Shaft Grounding		
Shaft Rotation:	Reversible		
Motor Standards:	NEMA		
Thermal Device - Bearing:	None		
Thermal Device - Winding:	Normally Closed Thermostat		

Nameplate 000613006MY

	DUTY	HP	RPM	AMPS	VOLTS	HZ	
CAT.NO.	CONT	30	1780	39	460	60	
SER.NO.	CONT	30	3555	36	460	120	
PH.	3		MAX SAFE SPEED	5000	INSUL	H	MIN. AMB.
DESIGN NO.	L3379A		TYPE		AMB.	40	-25
S.F.	1.00		D.E. BRG.	65BC03JPP30A	ENCL.	TEFC	
ENCL MOD			O.D.E. BRG.	50BC03JPP30A			
	IP44						

Parts List		
Part Number	Description	Quantity
WS393008	WS F25-A000-0404	1.000 EA
RA389539	RA F25-A000-0404	1.000 EA
418018122A	LABEL	2.000 EA
033775004EA	DRSCR #6-1/4 304 S.S.	4.000 EA
000613006MY	NP-RPMAC INVERTER DUTY	1.000 EA
LB1613	LABEL, QR CODE, ADHESIVE LABEL	1.000 EA
000692000XM	LABEL QR CODE	1.000 EA
422927001	C/D LABEL	1.000 EA
807582004AAB	BRKT,ODE,L250	1.000 EA
807582003BAA	BRKT,DE,FL250,313 BRG., MACH	1.000 EA
BP5068BJ01	BRUSH, .187 X .187 X 1.00	2.000 EA
HA4054	SHORT T-DRAIN FITTING, .125" N.P.T.	1.000 EA
HA4054	SHORT T-DRAIN FITTING, .125" N.P.T.	1.000 EA
400638001H	SPRING WASHER (Customer number 43699)	1.000 EA
036610010AB	MHSLW M10 PLATED	4.000 EA
036000016DB	HHCS	4.000 EA
036100080KA	M10-1.50X 80MM HXSOCHDCS	3.000 EA
418057491A	LIFTING LUG	2.000 EA
036500010AB	METRIC NUT M10-1.5PLTD400	4.000 EA
036500010AB	METRIC NUT M10-1.5PLTD400	4.000 EA
609830005ACL	STUD FRAME .375X11.38	4.000 EA
BP5248	BP5248	2.000 EA
415000103D	T/LUG #4AWG-1/0AWG W/HOLE FOR .250 BOLT	1.000 EA
415072001B	CLAMP	1.000 EA

Parts List (continued)		
Part Number	Description	Quantity
417733004AC	GASK C/BOX	1.000 EA
706310640B	BACKPLATE GASKET C/BOX 706310-637	1.000 EA
034180012FA	KEY 3/8X3/8X1-1/2 L - 360	1.000 EA
078548001T	FAN 250	1.000 EA
708534051A	FL250 FAN GRILL	1.000 EA
708534050A	BLOWER SHROUD	1.000 EA
036000012HB	HHCS M6X12MM LONG PLATED	3.000 EA
418057256F	HHCS M6 12MM ZINCPLAT	1.000 EA
418057373A	SCREW SHEET METAL	7.000 EA
418018074A	GROUND LABEL G100 METRIC 160 D.C.	1.000 EA
406673002C	.75 CAP PLUG	1.000 EA
406673002AE	2" CAP PLUG	1.000 EA
036620009AB	M8 EXTERNAL LK WASHER	1.000 EA
706310638A	BACK PLATE FOR 706310-637 WITH 3.12" BOL	1.000 EA
423709011A	WASHER	8.000 EA
708533003A	PLATE, BTM FAN/BLOWER	2.000 EA
706310637A	C/BOX, MILL, RMAC,9X9X4, 375IN^3	1.000 EA
706310641A	LIPPED CBOX LID FOR 706310-642	1.000 EA
706310640A	LID GASKET C/BOX 706310-637	1.000 EA
036000012HB	HHCS M6X12MM LONG PLATED	4.000 EA
036010012HB	HHCS T/BOX BRACE	16.000 EA
034180022FA	KEY 3/8X3/8X2-3/4 L	1.000 EA
000640000P	TAG WINDING THERMOST	1.000 EA
004824007CQR	C2 PAINT SYSTEM MEDIUM GRAY CHARCOAL MET	0.100 EA

LB1549	LABEL, BLANK 1.375 X 2.250 IMPRINTABLE	1.000 EA
--------	--	----------

REL. S.O.	-	VOLTS	460	ENCLOSURE	TEFC	WYE CONN EQ CKT OHMS PER PHASE (AT BASE RATING, 25 °C)
FRAME	FL2570	AMPS	39	MAX SAFE RPM	5000	
HP	30	DUTY	CONT	IM (AMPS)	20	R1 .106 X1 .513
BASE SPEED	1780	S.F.	1.0	P.F.@NL/FL	.054/.796	R2 .0656 X2 .782
PHASE/HERTZ	3/60	AMB °C/INSUL	40/H	WK ² (LB-FT ²)	3.5	XM 1.3.4

RATED FULL LOAD DATA

	RPM	HP	TORQUE LB-FT	FUND VOLTS	FREQ-HZ	AMPS
BASE SPEED	1780	30.0	89	460	60	38.7
MAX SPEED	3555	30.0	44	460	120	35.7
MIN SPEED	0	0	89	11.7	.682	38.7


LOAD PERFORMANCE AT BASE SPEED

	RPM	HP	TORQUE LB-FT	FUND VOLTS	FREQ-HZ	AMPS
NO LOAD	1800	0	0	460	60	19.3
1/4	1795	7.51	22	460	60	21.5
1/2	1790	15.0	44	460	60	25.8
3/4	1785	22.5	66	460	60	31.8
FULL LOAD	1780	30.0	89	460	60	38.7
O/L	1756	59.2	177	460	60	70.3

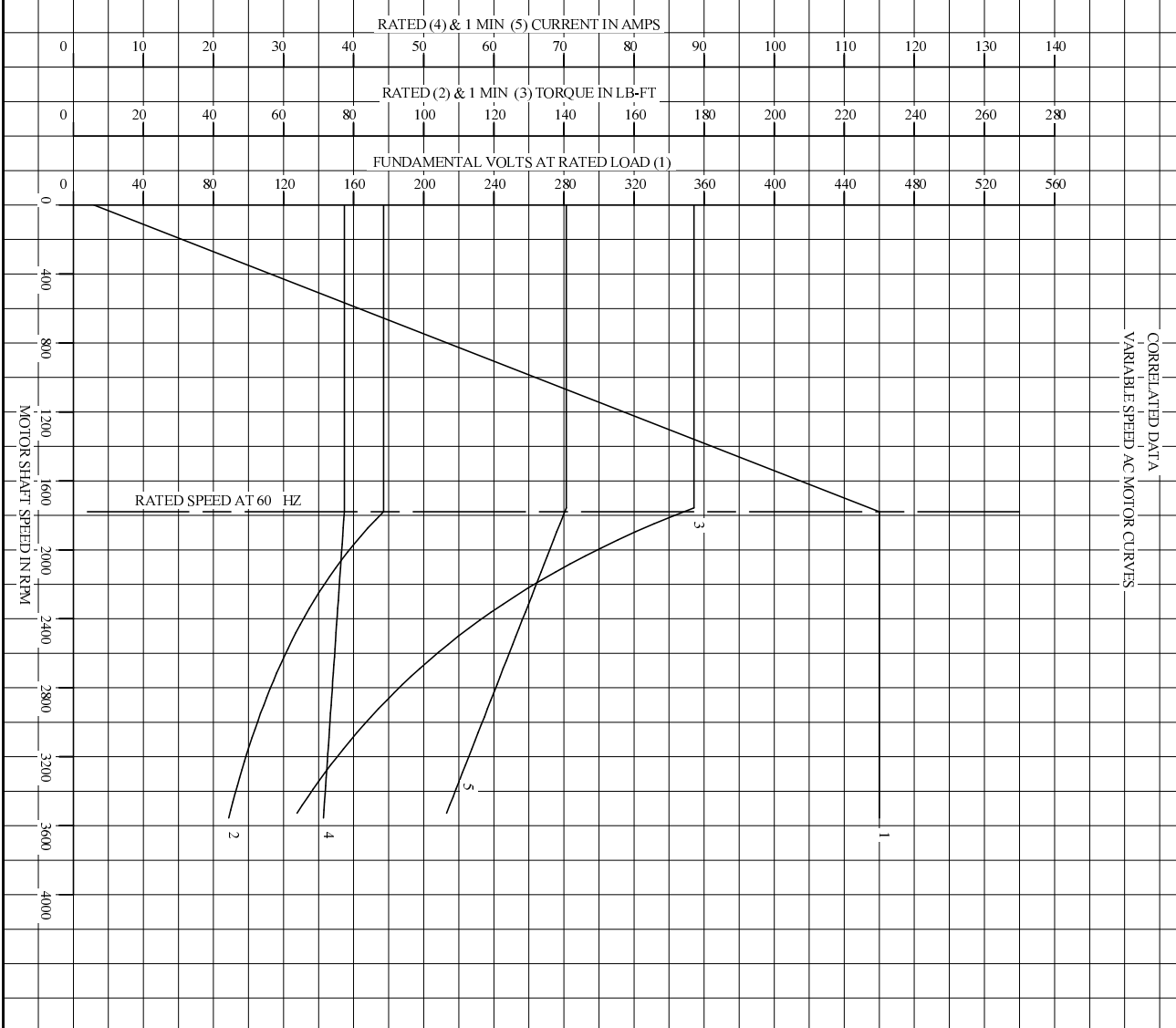
BLOWER DATA

VOLTS	PH/HZ	FL AMPS	LR AMPS	FRAME	CFM

REMARKS: TYPICAL DATA
CORRELATED DATA

	DR. BY	B. GRANT	A-C MOTOR PERFORMANCE DATA L3379A ISSUE DATE 2-12-07
	CK. BY	T. CUDR	
	APP. BY	8-11-06	
	DATE		

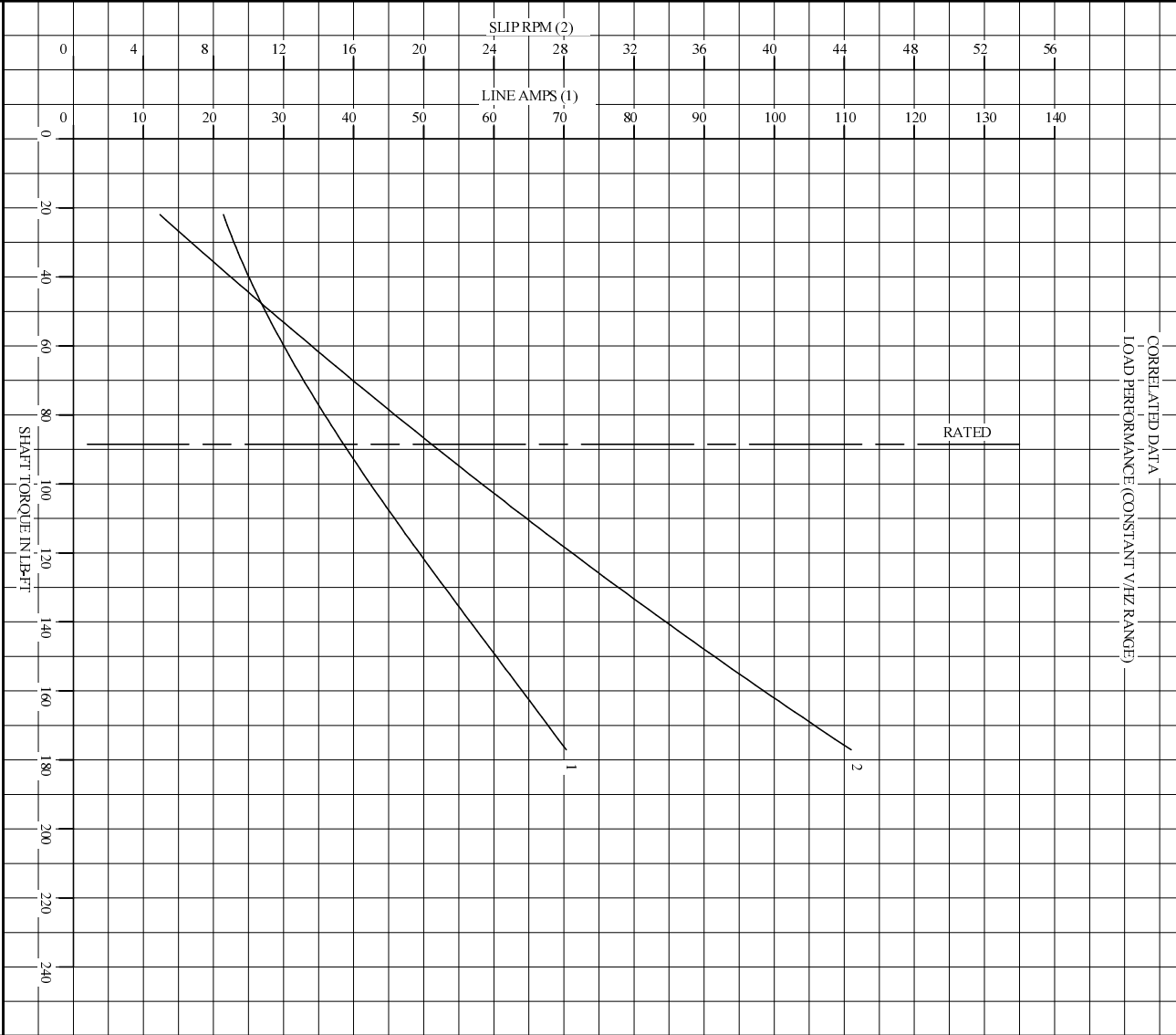
REL. S.O.	-	VOLTS	460	ENCLOSURE	TEFC	WYE CONN EQ CKT OHMS PER PHASE
FRAME	FL2570	AMPS	39	MAX SAFE RPM	5000	(AT BASE RATING, 25 °C)
HP	30	DUTY	CONT	IM (AMPS)	20	R1 .106 X1 .513
BASE SPEED	1780	S.F.	1.0	P.F. @NL/FL	.054 / .796	R2 .0656 X2 .782
PHASE/HERTZ	3/60	AMB C/INSUL	40/H	WK ² (LB-FT ²)	3.5	XN 13.4



REMARKS: TYPICAL DATA
DATA VALID FOR NAMEPLATE SPEED RANGE ONLY

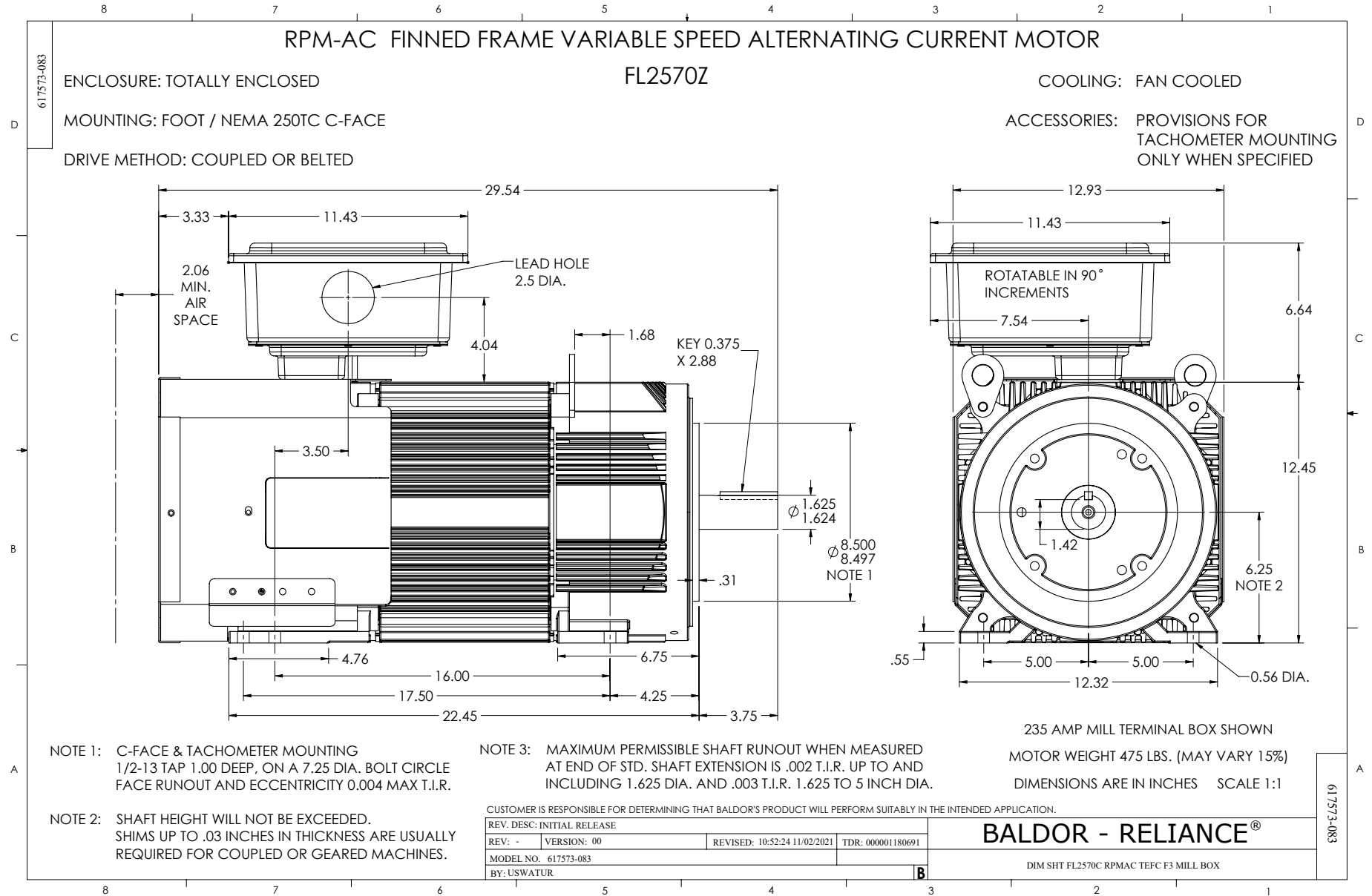
	DR. BY	B. GRANT	A-C MOTOR PERFORMANCE CURVES L3379A SH 1 OF 2 ISSUE DATE 2-12-07
	CK. BY	B. GRANT	
	APP. BY	T. CURR	
	DATE	8-11-06	

REL S.O.	-	VOLTS	460	ENCLOSURE	TEFC	WYE CONN EQ CKT OHMS PER PHASE
FRAME	FL2570	AMPS	39	MAX SAFE RPM	5000	(AT BASE RATING, 25°C)
HP	30	DUTY	CONT	IM (AMPS)	20	R1 .106 X1 .513
BASE SPEED	1780	S.F.	1.0	P.F.@NL/FL	.054/.796	R2 .0656 X2 .782
PHASE/HERTZ	3/60	AMB C/INSUL	40/H	WK ² (LB-FT ²)	3.5	XN 13.4



REMARKS: TYPICAL DATA
DATA VALID FOR NAMEPLATE SPEED RANGE ONLY

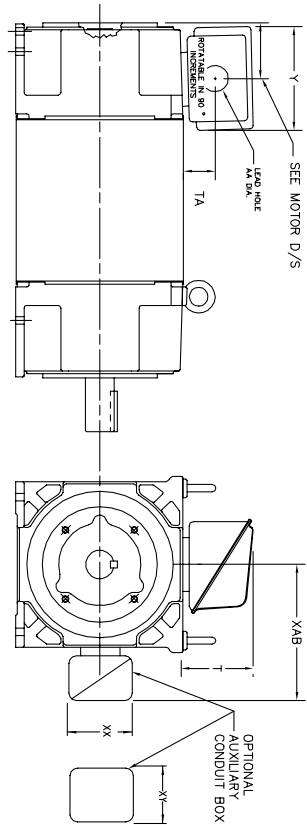
	DR. BY	B. GRANT	A-C MOTOR PERFORMANCE CURVES
	CK. BY	B. GRANT	
	APP. BY	T. CURR	L3379A SH20F2 ISSUE DATE 2-12-07
	DATE	8-11-06	



INDUSTRIAL ALTERNATING CURRENT MOTORS

RPM AC

STEEL, CAST IRON, MILL AND TERMINAL BOARD CONDUIT BOX DIMENSIONS
 NEMA FRAMES RL210 thru RL280 and IEC FRAMES RDL132 thru RDL180
 NEMA FRAMES FL180 thru FL280 and IEC FRAMES FDL112 thru FDL180



FRAME	TYPE	TERMINAL STRIP	AMPS	C/BOX	Y	TA	T	AA
FL180	STEEL	N	40	706320003A	5.00	1.62	3.00	1.12
FL180	STEEL	Y/N	75	706320003A	6.12	2.38	4.38	1.75/2.00
FL180	CAST IRON	N	208	706320007A	7.62	2.00	7.00	2.50/3.00
FL180 & FDL11	CAST IRON	Y/N	60	706320004C	5.75	2.38	4.38	1.0 TAP
FL180 & FDL11	MILL	Y	100	706310056A	7.75	2.30	4.40	PG29/PG16

FL210 & RL210	STEEL	N	61	075452000B	6.34	2.00	4.12	1.75
FL210 & RL210	STEEL	N	121	075454001AJ	7.69	2.38	5.25	1.94
FL210 & RL210	CAST IRON	N	305	075460026B	7.00	4.12	8.44	4.59
FL210 & RL210	CAST IRON	N	110	706310225B	7.43	2.50	5.25	1.5 TAP
FL210 & RL210	MILL	Y	100	706310225B	7.75	2.30	4.40	PG29/PG16
FL210 & RL210	MILL	Y	160	706310226B	9.00	3.06	5.40	PG36/PG16
FL210 & RL210	MILL	Y/N	235	706310637A	11.42	4.00	6.72	2.50

FL250 & RL250	STEEL	N	61	075452000B	6.34	2.00	4.12	1.75
FL250 & RL250	STEEL	N	121	075454001AJ	7.69	2.38	5.25	1.94
FL250 & RL250	STEEL	N	305	706320016A	9.00	4.12	8.44	4.59
FL250 & RL250	CAST IRON	N	110	075460026B	7.25	2.50	3.25	1.5 TAP
FL250 & RL250	CAST IRON	N	210	706320013A	10.50	4.88	9.00	4.0 TAP
FL250 & RDL16	MILL	Y	100	706310056A	7.75	2.30	4.40	PG29/PG16
FL250 & RDL16	MILL	Y	160	706310226B	9.00	3.06	5.40	PG36/PG16
FL250 & RDL16	MILL	Y/N	235	706310637A	11.42	4.00	6.72	2.50
FL250 & RDL16	MILL	Y	400	706310063B	14.39	7.43	12.15	BLANK

FL280 & RL280	STEEL	N	160	706320009A	7.25	3.50	7.06	2.50
FL280 & RL280	STEEL	N	305	706320016A	9.00	4.12	8.44	4.59
FL280 & RL280	CAST IRON	N	500	706320017G	14.92	7.56	12.70	5.00
FL280 & RL280	CAST IRON	N	750	706320018A	15.00	8.88	13.50	5.00
FL280 & RL280	CAST IRON	N	210	706320013A	10.50	4.88	9.00	4.0 TAP
FL280 & RL280	CAST IRON	N	510	706320014D	15.00	7.56	12.81	5.0 TAP
FL280 & RDL16	MILL	Y	100	706310056A	7.75	2.30	4.40	PG29/PG16
FL280 & RDL16	MILL	Y	160	706310056B	9.00	3.06	5.40	PG36/PG16
FL280 & RDL16	MILL	Y/N	235	706310637A	11.42	4.00	6.72	2.50
FL280 & RDL16	MILL	Y	400	706310063B	14.39	7.43	12.15	BLANK

FRAME SIZE	XAB	XX	XY	OPTIONAL AUXILIARY CONDUIT BOX DIMENSIONS (MAXIMUM)	XAB	XX	XY	PART NUMBER
FL210/RL210/FL210/MILL	7.38	4.25	4.25	602B07-2E-A	10.88	8.00	8.00	706310-3-B
FL210/RL210/FL210/MILL	8.44	4.25	4.25	602B07-2E-A	11.88	8.00	8.00	706310-3-B
FL210/RL210/FL210/MILL	9.12	4.25	4.25	602B07-2E-A	12.62	8.00	8.00	706310-3-B

(1) 1/4" CONDUIT
 (2) 1/2" CONDUIT
 (3) CUSTOMER TO PROVIDE HOLE FOR CONDUIT.
 (4) 2" DN -5A or 1" TAP DN -4C

TERMINAL BOX CAN BE REPAIRED FOR LEAD OUTLET AT TOP, SIDES OR BOTTOM.
 TERMINAL BOX LOCATED ON REPAIR SIDE WHEN F2, W, N, S, W-7,
 OR C-1 MOUNTING IS SPECIFIED. BOX LOCATED ON TOP WHEN SPECIFIED.

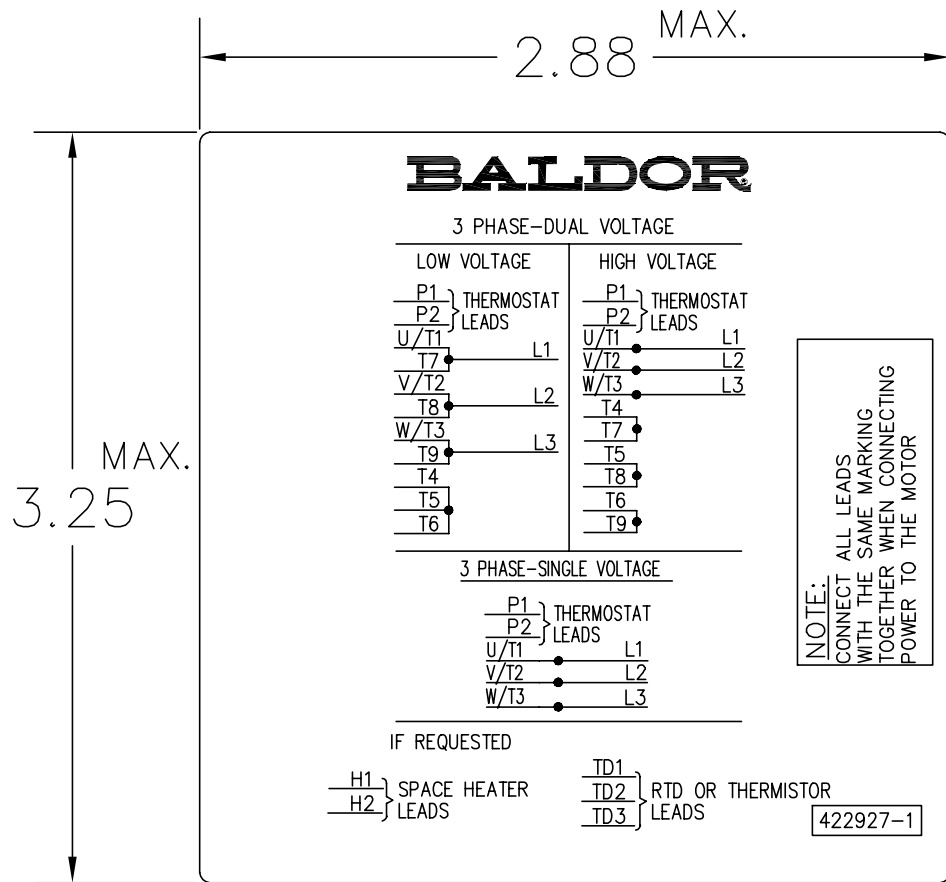
CUSTOMER IS RESPONSIBLE FOR DETERMINING THAT BALDOR'S PRODUCT WILL PERFORM SUITABLY IN THE INTENDED APPLICATION.

REV. DESC: ADD 706310-637 & 639 BOX	TDR: 00001180260
REV. LTR: F	VERSION: 06
FILE: \RGG\00003\692	REVISED: 11:08:56 10/26/2021
MTL: 1	BY: RGRW

BALDOR - RELIANCE®

DIM SHT NEMA RL210-RL280 FL180-FL280 IEC RDL132-RDL180

422927-001



NOTE:
DATA TO BE SIZED
SO THAT IT FITS INTO
MATERIAL DECAL
DIMENSIONS. MAKE
LETTERS & NUMBERS
AS LARGE AS POSSIBLE.

MATERIAL: CERAMATIC DGF-P4
PERMA GRIP ADHESIVE

ALL LETTERS, NUMBERS
AND LINES TO BE BLACK
ON WHITE BACKGROUND.

422927-001

REV. DESC: CHANGE BACKGROUND COLOR FROM GOLD TO WHITE		
REV. LTR: B	VERSION: 02	TDR: 000000788708
FILE: \RGG\00000\203	REVISED: 08:09:29 03/04/2013	
MTL: -	BY: RGGWT	

BALDOR

EXTERNAL CONNECTION LABEL

SH 1 of 1

Marketing maintained PDF of MN406:

<http://www.baldor.com/support/Literature/Load.ashx/MN406?ManNumber=MN406>