

BALDOR® • RELIANCE 

Product Information Packet

ZDBRPM281254

125HP,1750,460V,FL2898,TEBC,F3

Part Detail							
Revision:	B	Status:	PRD/A	Change #:		Proprietary:	No
Type:	AC	Elec. Spec:	L4053A	CD Diagram:	422927-001	Mfg Plant:	
Mech. Spec:		Layout:	617532-379	Poles:	04	Created Date:	11-09-2021
Base:		Eff. Date:	03-24-2022	Leads:			

Specs			
Catalog Number:	ZDBRPM281254		
Enclosure:	TEBC		
Frame:	FL2898Z		
Frame Material:	Exposed Laminations		
Motor Letter Type:	Three Phase		
Output @ Frequency:	125.000 @ 60 HZ		
	125.000 HP @ 60 HZ		
Synchronous Speed @ Frequency:	1800 RPM @ 60 HZ		
Voltage @ Frequency:	460.0 V @ 60 HZ		
	460 V @ 60 HZ		
Agency Approvals:	CCSA US		
Auxillary Box:	No Auxillary Box		
Base Indicator:	Rigid		
Bearing Grease Type:	Polyrex EM (-20F +300F)		
Current @ Voltage:	156.000 A @ 460.0 V		
Duty Rating:	CONT		
Feedback Device:	ENCODER		
Frame Prefix:	FL		

Heater Indicator:	No Heater		
Insulation Class:	H		
IP Rating:	NONE		
Mounting Arrangement:	F3		
Product Family:	General Industrial		
Pulley End Bearing Type:	Ball		
Pulley Face Code:	Standard		
Shaft Ground Indicator:	Shaft Grounding		
Shaft Rotation:	Reversible		
Motor Standards:	NEMA		
Thermal Device - Bearing:	None		
Thermal Device - Winding:	Normally Closed Thermostat		

Nameplate 000613006MY										
	DUTY	HP	RPM	AMPS	VOLTS	HZ				
	CONT	125	1780	156	460	60				
	CONT	125	3555	149	460	120				
CAT.NO.	ZDBRPM281254		SPEC. NO.		F28-A000-0380					
SER.NO.			FR	FL2898Z	INSUL	H				
PH.	3		MAX SAFE SPEED	5000	AMB.	40			MIN. AMB.	-25
DESIGN NO.	L4053A		TYPE		ENCL.	TEAO-BC				
S.F.	1.00		D.E. BRG.	75BC02J30X						
ENCL MOD			O.D.E. BRG.	55BC02J30X						
	IP44									

Parts List		
Part Number	Description	Quantity
WS393406	WS F28-A000-0380	1.000 EA
RA389935	RA F28-A000-0380	1.000 EA
418018122A	LABEL	2.000 EA
033775004EA	DRSCR #6-1/4 304 S.S.	4.000 EA
000613006MY	NP-RPMAC INVERTER DUTY	1.000 EA
000692000NH	LABEL DIRECTION AIR FL	1.000 EA
LB1613	LABEL, QR CODE, ADHESIVE LABEL	1.000 EA
000692000XM	LABEL QR CODE	1.000 EA
422927001	C/D LABEL	1.000 EA
807583004AAB	BRKT,ODE,FL280	1.000 EA
807583003AAA	BRKT,DE,FL280	1.000 EA
BP5068BJ01	BRUSH, .187 X .187 X 1.00	2.000 EA
HA4054	SHORT T-DRAIN FITTING, .125" N.P.T.	1.000 EA
HA4054	SHORT T-DRAIN FITTING, .125" N.P.T.	1.000 EA
004824015A	GREASE POLYREX EM	0.300 LB
036600014AB	FLTW MOTOR MTG.	2.000 EA
400638001G	WAVEN (Customer number 43699)	1.000 EA
036000016DB	HHCS	4.000 EA
418150003A	GREASE FITTING CAP	2.000 EA
035000001A	ALFTG 1/8" 1610-BL	1.000 EA
035000001A	ALFTG 1/8" 1610-BL	1.000 EA
036100070KA	METRIC HSHCS	3.000 EA
036100070JA	HSHCS M8 70MM UNPLATED	3.000 EA
036140001D	EYEBOLT - 360	2.000 EA

Parts List (continued)		
Part Number	Description	Quantity
034693001AB	PPLG - G508- use 034692001AB	1.000 EA
034693001AB	PPLG - G508- use 034692001AB	1.000 EA
036500011AB	METRIC NUT M12-1.75 PLT.	4.000 EA
036500011AB	METRIC NUT M12-1.75 PLT.	4.000 EA
609830005ACE	TBOLT L2898	4.000 EA
BP5248	BP5248	2.000 EA
610490001A	16M 2P TENV VER 56C SUPER E, CE	1.000 EA
415000103D	T/LUG #4AWG-1/0AWG W/HOLE FOR .250 BOLT	1.000 EA
036000012HB	HHCS M6X12MM LONG PLATED	3.000 EA
422962052B	STBSH	1.000 EA
607980192B	RF,BEI,HS35,TWISTLOCK	1.000 EA
036500004AB	HXNUT M3-.5 ZINCPLATED	4.000 EA
418057367A	CLIP, BEI TACH	2.000 EA
600164003A	WHEEL, BLOWER	1.000 EA
036600008AB	MFWSH M6 PLATED	4.000 EA
417733004J	GASKT	1.000 EA
706310640B	BACKPLATE GASKET C/BOX 706310-637	1.000 EA
609843001K	GASKET HANDHOLE COVER FE	1.000 EA
708535017A	FAN COVER,GRILL	1.000 EA
036000025HB	HHCS M6-1.0X25L PLTD.	4.000 EA
032018010DK	HHCS 1/2-13X1-1/4 PLATED	2.000 EA
032018006CK	HHCS 3/8-16X3/4L PLATED 411409	4.000 EA
036500008AB	METRIC H.NUT M6-1.0 PLTD	4.000 EA
708535010C	FAN COVER FL280 WITH ENCODER/RMM BLWR	1.000 EA

Product Information Packet: ZDBRPM281254 - 125HP,1750,460V,FL2898,TEBC,F3

036000012KB	M10 1.50 X 12MM HXHDCS	3.000 EA
000613006NT	NAME PLATE IEC	1.000 EA
036600004AB	WASHER, FLAT	4.000 EA
418057256F	HHCS M6 12MM ZINCPLAT	1.000 EA
036610008AB	METRIC LCKW M6 PLTD-G508	4.000 EA
032018008DK	HHCS 1/2-13X1 PLATED	4.000 EA
418057373A	SCREW SHEET METAL	7.000 EA
418018074A	GROUND LABEL G100 METRIC 160 D.C.	1.000 EA
708533003A	PLATE, BTM FAN/BLOWER	2.000 EA
706313063A	BLOWER HOUSING	1.000 EA
410978010A	FLANGE, INLET BLOWER	1.000 EA
410978011A	GRILL, INLET BLOWER HSG	1.000 EA
406673002C	.75 CAP PLUG	1.000 EA
036620009AB	M8 EXTERNAL LK WASHER	1.000 EA
034630001AJ	1/8" PIPE COUPLING	1.000 EA
034017014AB	LCKW 3/8 STD. PLATED	4.000 EA
706310642A	BACK PLATE FOR 706310-637 WITH 5.00" BOL	1.000 EA
036600009AB	METRIC FLWASH M8 PLATED	2.000 EA
036310010FB	RHMS TERM/BLK MTG	2.000 EA
034530016AB	P/NIP 1/8X2 PLATED - 320	1.000 EA
418057499A	PLATE	1.000 EA
036320008CB	M2.5 SCREW	4.000 EA
036500006AB	M4-0.7 METRIC HEX NUT	2.000 EA
706310637A	C/BOX, MILL, RPMAC,9X9X4, 375IN^3	1.000 EA
706310641A	LIPPED CBOX LID FOR 706310-642	1.000 EA
706310640A	LID GASKET C/BOX 706310-637	1.000 EA

Product Information Packet: ZDBRPM281254 - 125HP,1750,460V,FL2898,TEBC,F3

036010012HB	HHCS T/BOX BRACE	16.000 EA
036000012JB	M8-1.25 X 12MM HXHDC	4.000 EA
036100012DB	HSHCS	4.000 EA
034180032HA	KEY 5/8X5/8X4	1.000 EA
000640000P	TAG WINDING THERMOST	1.000 EA
004824007CQR	C2 PAINT SYSTEM MEDIUM GRAY CHARCOAL MET	0.100 EA
LB1549	LABEL, BLANK 1.375 X 2.250 IMPRINTABLE	1.000 EA

REL. S.O. - VOLTS 460 ENCLOSURE TEBC WYE CONN EQ CKT OHMS PER PHASE
 FRAME FL2898 AMPS 156 MAX SAFE RPM 4800 (AT BASE RATING, 25 °C)
 HP 125 DUTY CONT IM (AMPS) 76 R1 .0221 X1 .156
 BASE SPEED 1780 S.F. 1.0 P.F.@NL/FL .034/.802 R2 .0147 X2 .203
 PHASE/HERTZ 3/60 AMB °C/INSUL 40/H MK² (LB-FT²) 11. XM 3.54

RATED FULL LOAD DATA

	RPM	HP	TORQUE LB-FT	FUND VOLTS	FREQ-HZ	AMPS
BASE SPEED	1781	125	369	460	60	157
MAX SPEED	3556	125	185	460	120	149
MIN SPEED	0	0	369	10.1	.642	157


LOAD PERFORMANCE AT BASE SPEED

	RPM	HP	TORQUE LB-FT	FUND VOLTS	FREQ-HZ	AMPS
NO LOAD	1800	0	0	460	60	74.2
1/4	1795	31.3	92	460	60	83.6
1/2	1791	62.6	183	460	60	102
3/4	1786	93.7	276	460	60	127
FULL LOAD	1781	125	369	460	60	157
O/L	1757	247	737	460	60	295

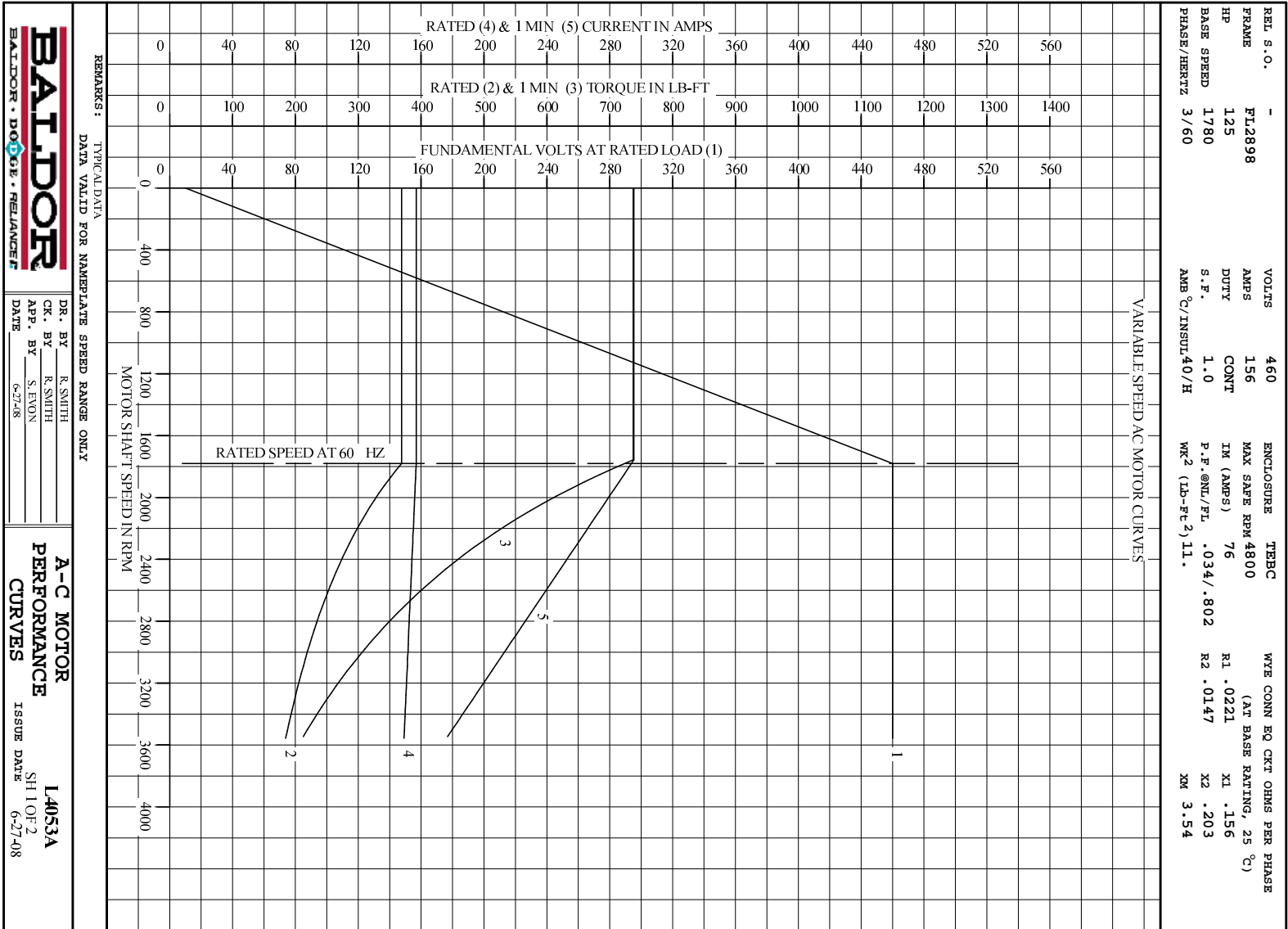
**BLOWER
DATA**

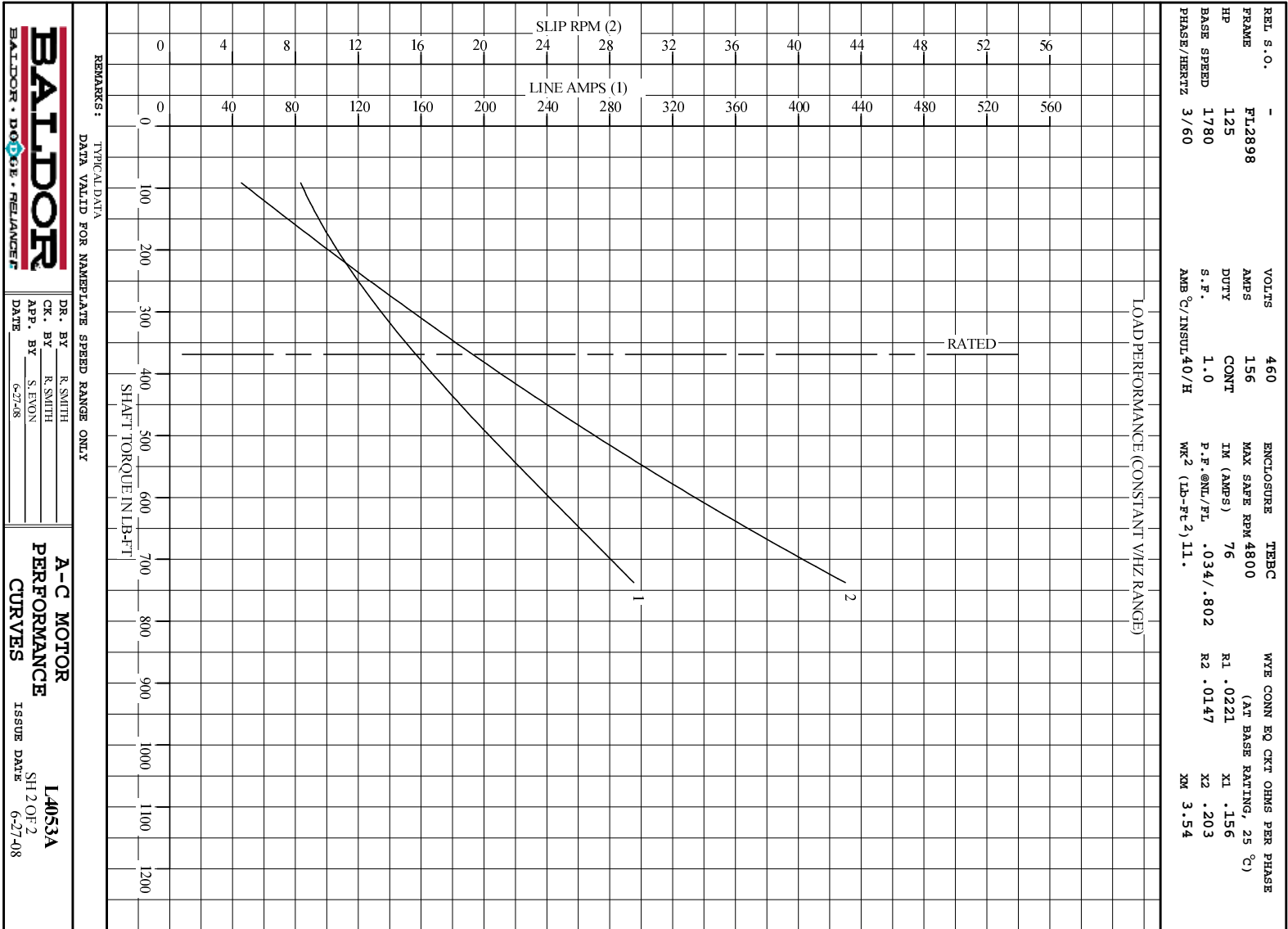
VOLTS	PH/HZ	FL AMPS	LR AMPS	FRAME	CFM

REMARKS: TYPICAL DATA

	DR. BY R. SMITH	A-C MOTOR PERFORMANCE DATA L4053A ISSUE DATE 6-27-08
	CK. BY R. SMITH APP. BY S. EVON DATE 6-27-08	

1





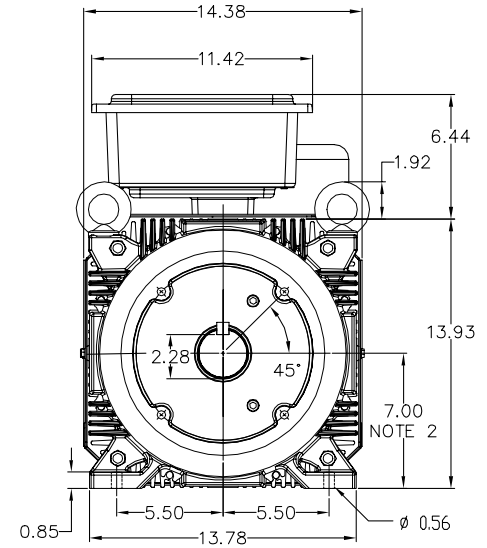
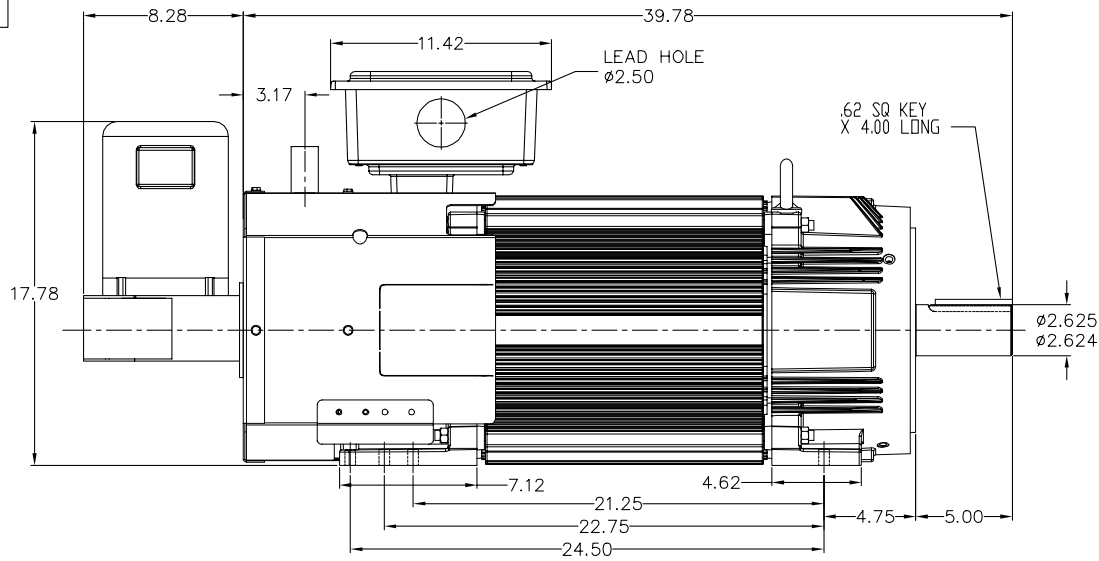
617532-379

RPM-AC FINNED FRAME VARIABLE SPEED ALTERNATING CURRENT MOTOR
UFL/FL2898Z

ENCLOSURE: TOTALLY ENCLOSED
MOUNTING: FOOT
DRIVE METHOD: COUPLED OR BELTED

COOLING: BLOWER COOLED

ACCESSORIES: FLANGE MOUNTED ENCODER



NOTE 1: O.D.E. C-FACE & TACHOMETER MOUNTING
1/2-13 TAP, 1.00 DEEP, ON A Ø 7.25 B.C.
FACE RUNDOUT AND ECCENTRICITY 0.004 MAX. T.I.R.

235 AMP MILL TERMINAL BOX SHOWN
ROTATABLE IN 90° INCREMENTS

NOTE 2: SHAFT HEIGHT WILL NOT BE EXCEEDED
SHIMS UP TO 0.03 INCHES IN THICKNESS ARE USUALLY
REQUIRED FOR COUPLED OR GEARED MACHINES

DIMENSIONS ARE IN INCHES
MOTOR WEIGHT: 890 LBS. (MAY VARY 15%)

CUSTOMER IS RESPONSIBLE FOR DETERMINING THAT BALDOR'S PRODUCT WILL PERFORM SUITABLY IN THE INTENDED APPLICATION.

REV. DESC: INITIAL RELEASE	VERSION: 00	TDR: 000001181017
REV. LTR: -	REVISED: 08:11:35 11/10/2021	BY: USWATUR
FILE: \RGG\00031\973		
MTL: -		

BALDOR - RELIANCE®

D/S,FL2898CZ,TEAO-BC,ENCODER,STD.SHAFT EXT,RMM BLWR,F3 MILL
SH 1 of 1

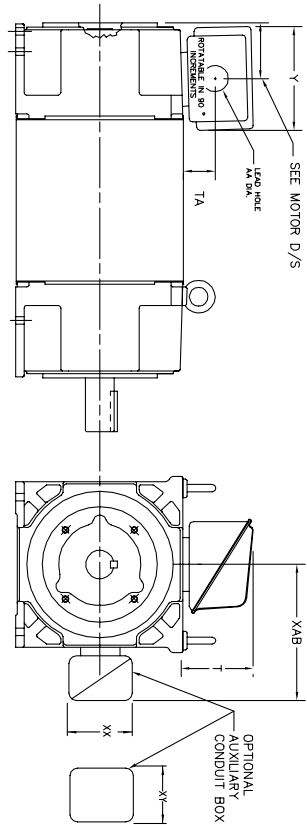
617532-379

616779-050

INDUSTRIAL ALTERNATING CURRENT MOTORS

RPM AC

STEEL, CAST IRON, MILL AND TERMINAL BOARD CONDUIT BOX DIMENSIONS
 NEMA FRAMES RL210 thru RL280 and IEC FRAMES RDL132 thru RDL180
 NEMA FRAMES FL180 thru FL280 and IEC FRAMES FDL112 thru FDL180



FRAME	TYPE	TERMINAL STRIPS	AMPS	C/BOX	Y	TA	T	AA
FL180	STEEL	N	40	7063200035A	5.00	1.62	3.00	1.12
FL180	STEEL	Y/N	75	7063200035A	6.12	2.38	4.38	1.75/2.00
FL180	CAST IRON	N	208	7063200077A	7.62	2.00	7.00	2.50/3.00
FL180 & FDL11	CAST IRON	Y/N	60	706320004C	5.75	2.38	4.38	1.0 TAP
FL180 & FDL11	MILL	Y	100	706310056A	7.75	2.30	4.40	PG29/PG16

FL210 & RL210	STEEL	N	61	0754520008	6.34	2.00	4.12	1.75
FL210 & RL210	STEEL	N	121	075454001AJ	7.69	2.38	5.25	1.94
FL210 & RL210	CAST IRON	N	305	0754560258	7.00	4.12	8.44	4.59
FL210 & RL210	CAST IRON	N	110	7063102258	7.43	2.50	5.25	1.5 TAP
FL210 & RL210	MILL	Y	100	7063102258	7.75	2.30	4.40	PG29/PG16
FL210 & RL210	MILL	Y	160	7063102258	9.00	3.06	5.40	PG36/PG16
FL210 & RL210	MILL	Y/N	235	706310637A	11.42	4.00	6.72	2.50

FL250 & RL250	STEEL	N	61	0754520008	6.34	2.00	4.12	1.75
FL250 & RL250	STEEL	N	121	075454001AJ	7.69	2.38	5.25	1.94
FL250 & RL250	STEEL	N	305	706320016A	9.00	4.12	8.44	4.59
FL250 & RL250	CAST IRON	N	110	0754560258	7.25	2.50	3.25	1.5 TAP
FL250 & RL250	CAST IRON	N	210	7063102258	7.60	4.59	5.00	4.0 TAP
FL250 & RDL16	MILL	Y	100	706310056A	7.75	2.30	4.40	PG29/PG16
FL250 & RDL16	MILL	Y	160	7063102258	9.00	3.06	5.40	PG36/PG16
FL250 & RDL16	MILL	Y/N	235	706310637A	11.42	4.00	6.72	2.50
FL250 & RDL16	MILL	Y	400	7063100638	14.39	7.43	12.15	BLANK

FL280 & RL280	STEEL	N	160	706320009A	7.25	3.50	7.06	2.50
FL280 & RL280	STEEL	N	305	706320016A	9.00	4.12	8.44	4.59
FL280 & RL280	CAST IRON	N	500	706320016A	14.92	7.56	12.70	5.00
FL280 & RL280	CAST IRON	N	210	706320013A	10.50	4.89	8.00	3.0 TAP
FL280 & RL280	CAST IRON	N	510	706320014D	15.00	7.56	12.81	5.0 TAP
FL280 & RDL16	MILL	Y	100	706310056A	7.75	2.30	4.40	PG29/PG16
FL280 & RDL16	MILL	Y	160	706310056B	9.00	3.06	5.40	PG36/PG16
FL280 & RDL16	MILL	Y/N	235	706310637A	11.42	4.00	6.72	2.50
FL280 & RDL16	MILL	Y	400	7063100638	14.39	7.43	12.15	BLANK

FRAME SIZE	XAB	XX	XY	PART NUMBER	FRAME SIZE	XAB	XX	XY	PART NUMBER
FL210/RL210/FL210/MILL	7.38	4.25	4.25	602807-25-A	FL210/RL210/FL210/MILL	10.88	8.00	8.00	706310-3-B
FL250/RL250/FL250/MILL	8.44	4.25	4.25	602807-25-A	FL250/RL250/FL250/MILL	11.88	8.00	8.00	706310-3-B
FL280/RL280/FL280/MILL	9.12	4.25	4.25	602807-25-A	FL280/RL280/FL280/MILL	12.62	8.00	8.00	706310-3-B

(1) 1/4" CONDUIT
 (2) 1/2" CONDUIT
 (3) CUSTOMER TO PROVIDE HOLE FOR CONDUIT.
 (4) 2" DN -5A or 1" TAP DN -4C

TERMINAL BOX CAN BE REPAIRED FOR LEAD OUTLET AT TOP, SIDES OR BOTTOM.
 TERMINAL BOX LOCATED ON REPAIR SIDE WHEN F2, F3, W, N, S, W-7,
 OR C-1 MOUNTING IS SPECIFIED. BOX LOCATED ON TOP WHEN SPECIFIED.

050-6761919

CUSTOMER IS RESPONSIBLE FOR DETERMINING THAT BALDOR'S PRODUCT WILL PERFORM SUITABLY IN THE INTENDED APPLICATION.

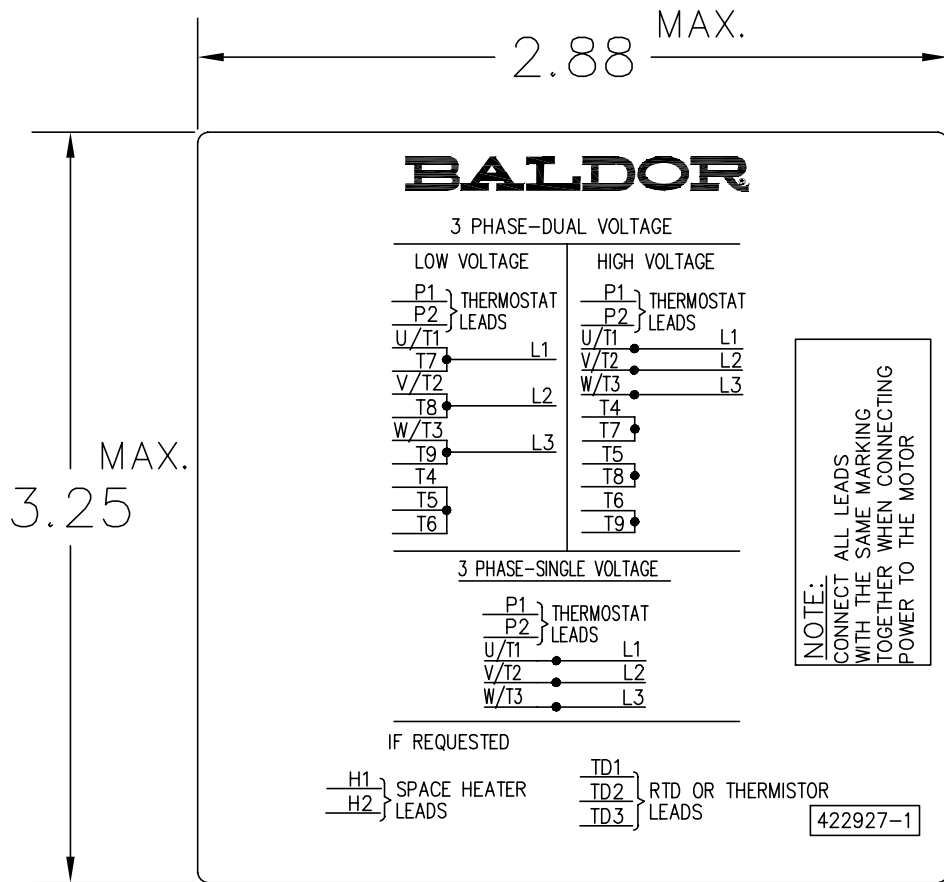
REV. DESC: ADD 706310-637 & 639 BOX	VERSION: 06	TDR: 00001180260
REV. LTR: F	REVISED: 11:08:56 10/26/2021	BY: RGRW
FILE: \RGG\00003\692		
MTL: 1		

BALDOR - RELIANCE®

DIM SHT NEMA RL210-RL280 FL180-FL280 IEC RDL132-RDL180

SH 1 of 1

422927-001



NOTE:
DATA TO BE SIZED
SO THAT IT FITS INTO
MATERIAL DECAL
DIMENSIONS. MAKE
LETTERS & NUMBERS
AS LARGE AS POSSIBLE.

MATERIAL: CERAMATIC DGF-P4
PERMA GRIP ADHESIVE

ALL LETTERS, NUMBERS
AND LINES TO BE BLACK
ON WHITE BACKGROUND.

NOTE:
CONNECT ALL LEADS
WITH THE SAME MARKING
TOGETHER WHEN CONNECTING
POWER TO THE MOTOR

422927-1

422927-001

REV. DESC: CHANGE BACKGROUND COLOR FROM GOLD TO WHITE		
REV. LTR: B	VERSION: 02	TDR: 000000788708
FILE: \RGG\00000\203	REVISED: 08:09:29 03/04/2013	
MTL: -	BY: RGGWT	

BALDOR

EXTERNAL CONNECTION LABEL

SH 1 of 1

Marketing maintained PDF of MN406:

<http://www.baldor.com/support/Literature/Load.ashx/MN406?ManNumber=MN406>