

**BALDOR® • RELIANCE** 

**Product Information Packet**

**ZDVSM4115T**

**50HP,1775RPM,3PH,60HZ,326T,1272M,TEFC,F1**

Part Detail							
Revision:	G	Status:	PRD/A	Change #:		Proprietary:	No
Type:	AC	Elec. Spec:	12WGY141	CD Diagram:	CD0180	Mfg Plant:	
Mech. Spec:	12G535	Layout:	12LYG535	Poles:	04	Created Date:	10-16-2015
Base:	RG	Eff. Date:	09-04-2020	Leads:	9#6		

Specs			
Catalog Number:	ZDVSM4115T	Insulation Class:	F
Product Complexity Level:	Standard	Inverter Code:	Inverter Duty
Enclosure:	TEFC	KVA Code:	H
Frame:	326T	Lifting Lugs:	Standard Lifting Lugs
Frame Material:	Iron	Locked Bearing Indicator:	Locked Bearing
Output @ Frequency:	50.000 HP @ 60 HZ	Motor Lead Quantity/Wire Size:	9 @ 6 AWG
Synchronous Speed @ Frequency:	1800 RPM @ 60 HZ	Motor Lead Exit:	Ko Box
Voltage @ Frequency:	460.0 V @ 60 HZ	Motor Lead Termination:	Flying Leads
	230.0 V @ 60 HZ	Motor Type:	1272M
XP Class and Group:	None	Mounting Arrangement:	F1
XP Division:	Not Applicable	Power Factor:	85
Agency Approvals:	CSA	Product Family:	General Purpose
	UR	Pulley End Bearing Type:	Ball
Auxillary Box:	No Auxillary Box	Pulley Face Code:	Standard
Auxillary Box Lead Termination:	None	Pulley Shaft Indicator:	Standard
Base Indicator:	Rigid	Rodent Screen:	None
Bearing Grease Type:	Polyrex EM (-20F +300F)	RoHS Status:	ROHS NON-COMPLIANT
Blower:	None	Shaft Extension Location:	Pulley End

<b>Current @ Voltage:</b>	116.000 A @ 230.0 V	<b>Shaft Ground Indicator:</b>	No Shaft Grounding
	58.000 A @ 460.0 V	<b>Shaft Rotation:</b>	Reversible
<b>Design Code:</b>	A	<b>Shaft Slinger Indicator:</b>	Shaft Slinger
<b>Drip Cover:</b>	No Drip Cover	<b>Speed Code:</b>	Single Speed
<b>Duty Rating:</b>	CONT	<b>Motor Standards:</b>	NEMA
<b>Electrically Isolated Bearing:</b>	Not Electrically Isolated	<b>Starting Method:</b>	Direct on line
<b>Feedback Device:</b>	ENCODER	<b>Thermal Device - Bearing:</b>	None
<b>Front Face Code:</b>	Standard	<b>Thermal Device - Winding:</b>	Normally Closed Thermostat
<b>Front Shaft Indicator:</b>	None	<b>Vibration Sensor Indicator:</b>	No Vibration Sensor
<b>Heater Indicator:</b>	No Heater	<b>Winding Thermal 1:</b>	None
		<b>Winding Thermal 2:</b>	None

Nameplate NP3304L	
CAT NO	ZDVSM4115T
SPEC.	12G535Y141Z1
FRAME	326T HP 50 TE
VOLTS	230/460
MAG CUR	40/20 FLA 116/58
RPM	1775 RPM MAX 2700
HZ	60 PH 3 CLASS F
SER.F.	1.00 SL HZ 0.8
NEMA-NOM-EFF	94.5 WK2 9.59
RATING	40C AMB-CONT
DE BRG	6312 ODE BRG 6311
CC	010A SER.NO
	1.5:1 CHP PWM

Parts List		
Part Number	Description	Quantity
SA309110	SA 12G535Y141Z1	1.000 EA
RA296451	RA 12G535Y141Z1	1.000 EA
09FN3001C03	EXTERNAL FAN, PLASTIC	1.000 EA
10CB3001	CONDUIT BOX CAST W/2.500 LEAD HOLE	1.000 EA
09GS1000SP	GASKET-CONDUIT BOX, 1/16 THICK LEXIDE	1.000 EA
10XN3118K12	5/16-18 X .75 GRADE 5, ZINC PLATED	4.000 EA
HW1001A31	LOCKWASHER 5/16, ZINC PLT.591 OD, .319 I	4.000 EA
WD1000B25	GND LUG, BURNDY L125HP OR T&B L125HP-BB	1.000 EA
19XW3118G08	.31-18X.50,HEX WSHR HD,TAPTITE 2,GREEN	1.000 EA
HA4017A01	1/8 X 4 GREASE EXT (F/S)	1.000 EA
12EP1107A05	FR ENDPLATE, MACH 324-6T	1.000 EA
HA3400A13	STUD, 1/2-13 X 7" WELKER	4.000 EA
HW1001A50	LOCKWASHER 1/2, ZINC PLT.,.879 OD, .509 I	4.000 EA
HW4600B41	V-RING SLINGER 2.125 X 2.880 X 0.280	1.000 EA
10XN3118K36	5/16-18 X 2.25" HEX HD, GRADE 5	2.000 EA
HW1001A31	LOCKWASHER 5/16, ZINC PLT.591 OD, .319 I	2.000 EA
HW5100A13	W4627-047 WVY WSHER	1.000 EA
12EP1106A01	PU ENDPLATE, MACH	1.000 EA
10XN5013K28	1/2-13 X 1.75 HEX HEAD MACH SCREW,GRAD	4.000 EA
HW1001A50	LOCKWASHER 1/2, ZINC PLT.,.879 OD, .509 I	4.000 EA
10XN3118K40	5/16-18 X 2.50" HEX HD, GRADE 5	4.000 EA
HW1001A31	LOCKWASHER 5/16, ZINC PLT.591 OD, .319 I	4.000 EA
12FH1002A27	FAN COVER, MACH	1.000 EA
HW1001A50	LOCKWASHER 1/2, ZINC PLT.,.879 OD, .509 I	4.000 EA

Parts List (continued)		
Part Number	Description	Quantity
XY5013A12	NUT,1/2-13,HEX,STEEL,ZINCPLATED	4.000 EA
10XN2520K12	1/4-20 X.75 GRD 5	1.000 EA
HW1001A25	LOCKWASHER 1/4, ZINC PLT .493 OD, .255 I	1.000 EA
HA6881	BEI HS35 THRU SHAFT ENCODER PROTECTIVE C	1.000 EA
10XN2520K12	1/4-20 X.75 GRD 5	2.000 EA
HW1001A25	LOCKWASHER 1/4, ZINC PLT .493 OD, .255 I	2.000 EA
10CB3500SP	CONDUIT BOX LID, CAST	1.000 EA
10GS1000SP	GASKET, CONDUIT BOX LID	1.000 EA
51XW2520A12	.25-20 X .75, TAPTITE II, HEX WSHR SLTD	4.000 EA
HW2501H33	KEY, 1/2 SQ X 3.875	1.000 EA
LB1115N	LABEL,LIFTING DEVICE (ON ROLLS)	1.000 EA
HA4051A00	PLASTIC CAP FOR GREASE FITTING	1.000 EA
HW4500A21	1618BALEMITE FITTING 825 UNIVERSAL	1.000 EA
HW4500A17	317400 ALEMITE GREASE RELIEF	1.000 EA
HA4054	SHORT T-DRAIN FITTING, .125" N.P.T.	1.000 EA
MJ1000A02	GREASE, MOBIL POLYREX EM - 124047	0.200 LB
HA4051A00	PLASTIC CAP FOR GREASE FITTING	1.000 EA
HW4500A03	GREASE FITTING, .125 NPT 1610(ALEMITE) 8	1.000 EA
HW4500A17	317400 ALEMITE GREASE RELIEF	1.000 EA
HA4054	SHORT T-DRAIN FITTING, .125" N.P.T.	1.000 EA
HW2500A25	WOODRUFF KEY USA #1008 #BLOW CARBON STEE	1.000 EA
OE5001A80SP	ENCDR KIT TENV W/OEHS35A10 W/BLIND SHAFT	1.000 EA
MG1025N19	MUNSELL 8.5BG 3.57/2.0, GLOSS 30, B/G,	0.080 GA
85XU0407S04	4X1/4 U DRIVE PIN STAINLESS	2.000 EA

Product Information Packet: ZDVSM4115T - 50HP,1775RPM,3PH,60HZ,326T,1272M,TEFC,F1

LB1119N	WARNING LABEL	1.000 EA
LC0181	CONNECTION LABEL	1.000 EA
NP3304L	ALUM VEC UL CSA CC (W/OUT DESIGN FIELD)	1.000 EA
10PA1010	PACKAGING GROUP, PRINT PK1151A06	1.000 EA
MN416A01	TAG-INSTAL-MAINT no wire (1200/bx) 1/21	1.000 EA
PE-0000013	ZRTG PE ASSEMBLY	1.000 EA

NP VOLTS	230/460	MAX SAFE RPM	2700	WYE CONN EQ.CKT OHMS PER PHASE (BASE RATING, 200)			
NP AMPS	116/58	Base Volt	460	R1	0.056	X1	0.352
HP	50HP	NL AMPS	19.8	R2	0.050	X2	0.440
BASE SPEED	1775	Slips	0.83			XM	11.900
PHASE/HZ	3/60	WK <sup>2</sup> (lb-ft <sup>2</sup> )	9.59				

**Rated Full Load Data**

	RPM	HP	Torque	Volts	Freq-Hz	Amps
Base Speed	1778	49.8	147.0	460	60	57.6
Max Speed	2665	49.8	98.1	460	90	56.0
Min Speed	0	0.0	147.0	14.88	0.83	57.6

**Load Performance at Base Speed**

	RPM	HP	Torque	Volts	Freq-Hz	Amps
No Load	1799	0.0	0.0	460	60	19.8
1/4	1795	12.3	36.1	460	60	24.2
1/2	1789	24.8	72.8	460	60	33.5
3/4	1784	37.4	110.0	460	60	44.7
Full Load	1778	49.8	147.0	460	60	57.6
O/L	1754	99.6	298.0	460	60	116.0

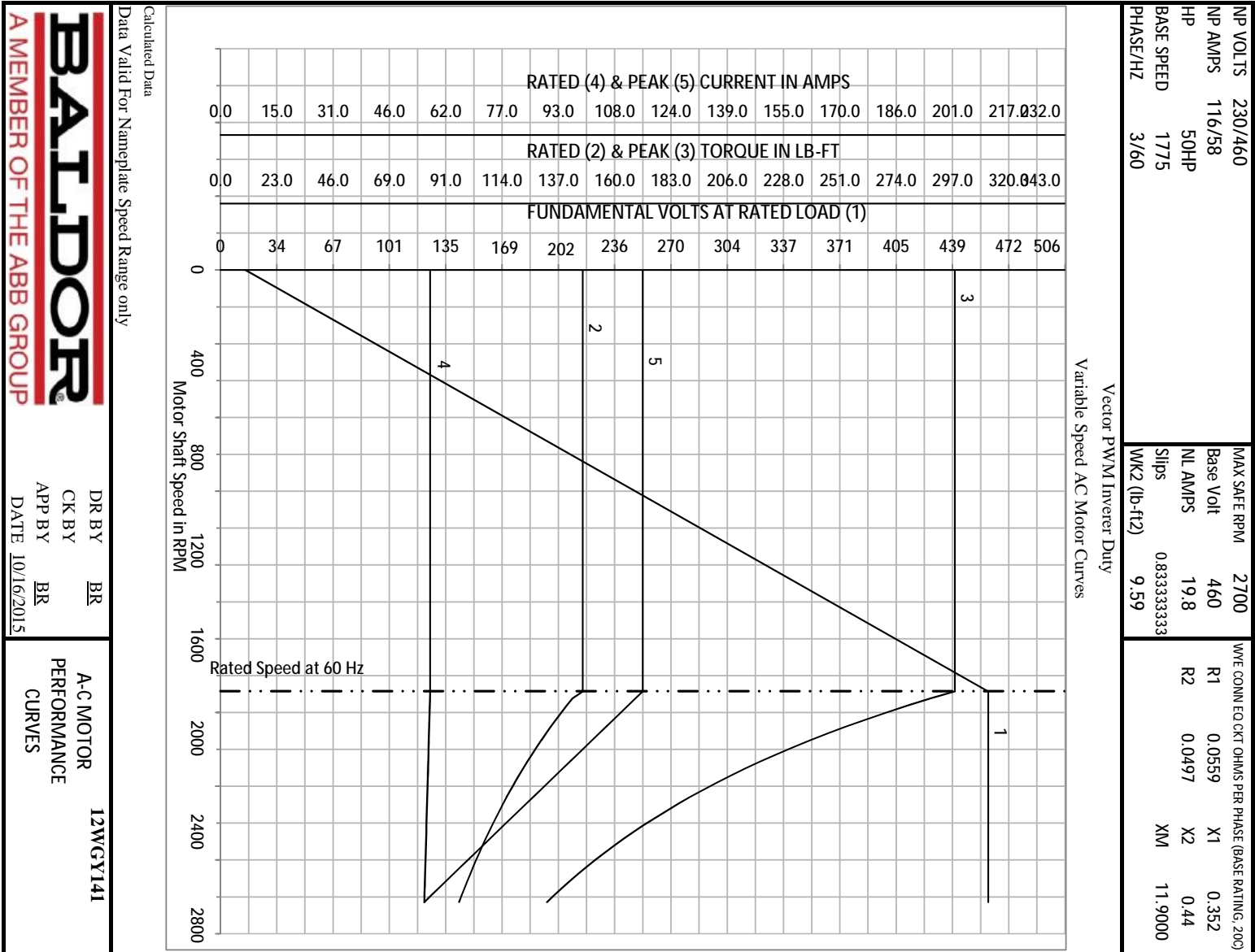
Blower Data	Volts	Pn/Hz	FL Amps	LR Amps	Frame	CFM

Remarks: Calculated Data  
Vector PWM Inverter Duty

 A MEMBER OF THE ABB GROUP	DR BY	BR	A-C MOTOR PERFORMANCE CURVES
	CK BY	BR	
	APP BY	BR	
	DATE	10/16/2015	

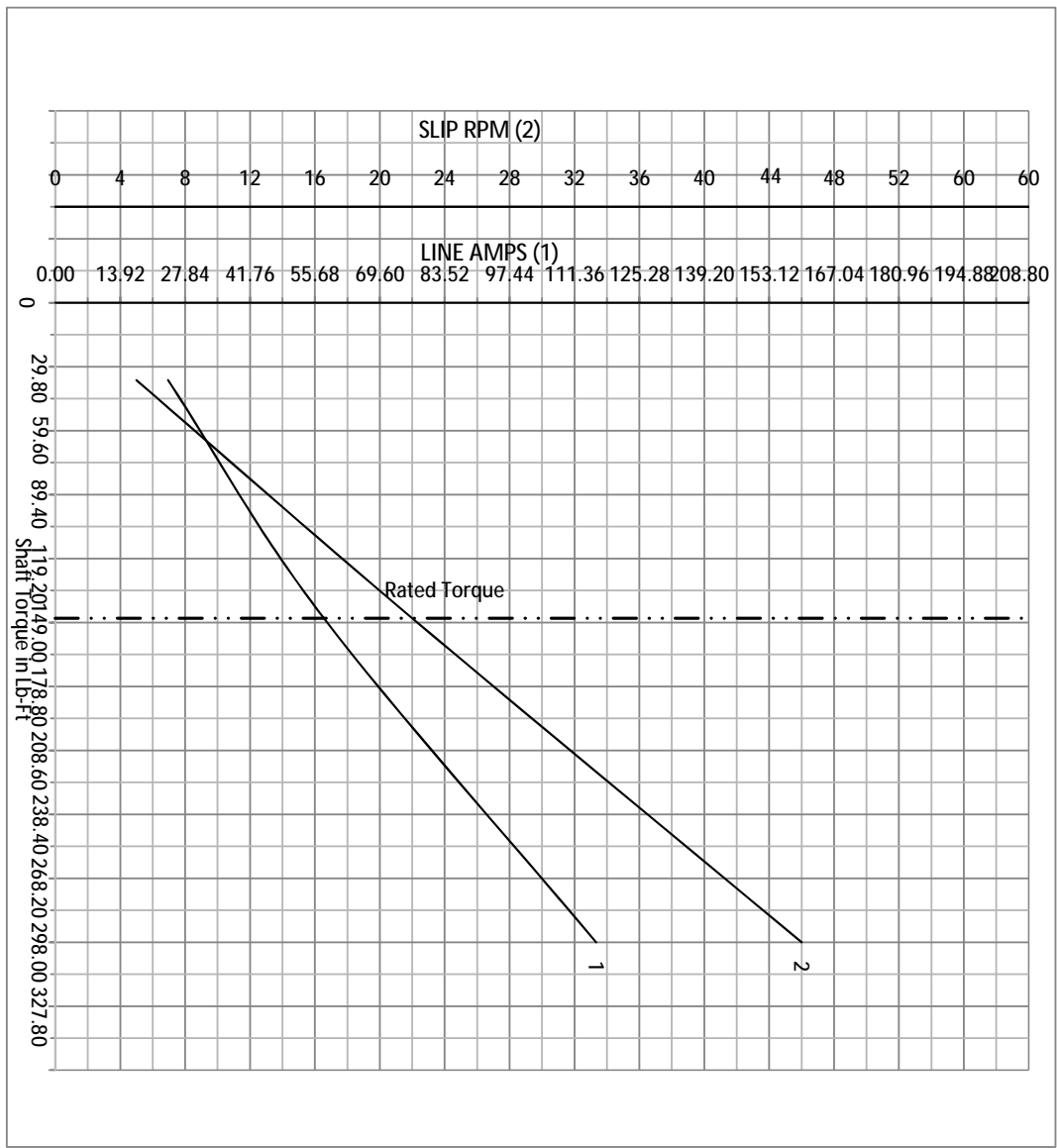
12WGY141





NP VOLTS	230/460	MAX SAFE RPM	2700	WYE CONN. EQ. CT. OHMS PER PHASE (BASE RATING, 200)			
NP AMPS	116/58	Base Volt	460	R1	0.0559	X1	0.352
HP	50HP	NL AMPS	19.8	R2	0.0497	X2	0.44
BASE SPEED	1775	Slips	0.833333333			XM	11.9
PHASE/HZ	3/60	WK2 (lb-ft <sup>2</sup> )	9.59				

Vector PWM Inverter Duty  
Variable Speed AC Motor Curves

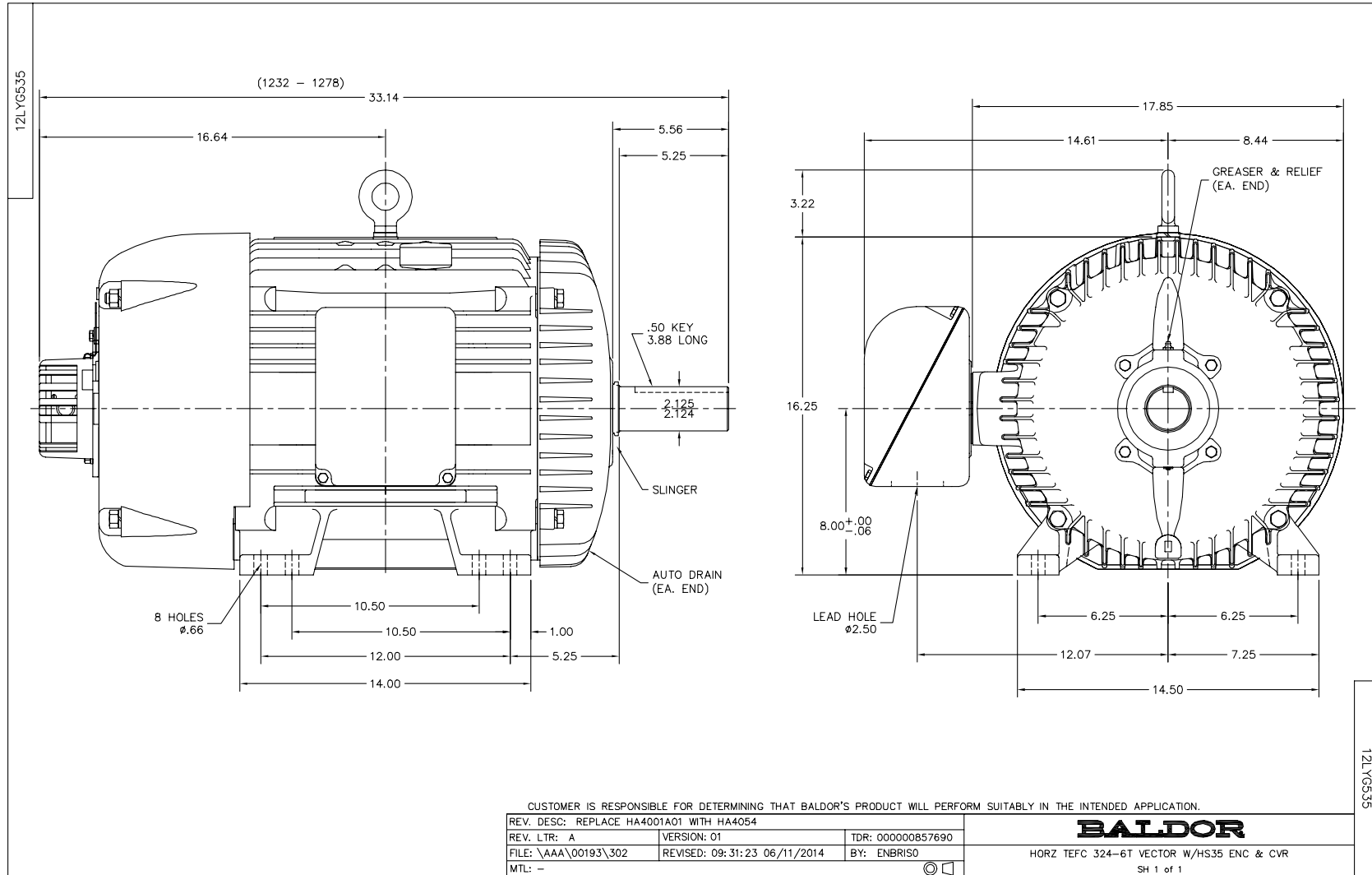


Calculated Data

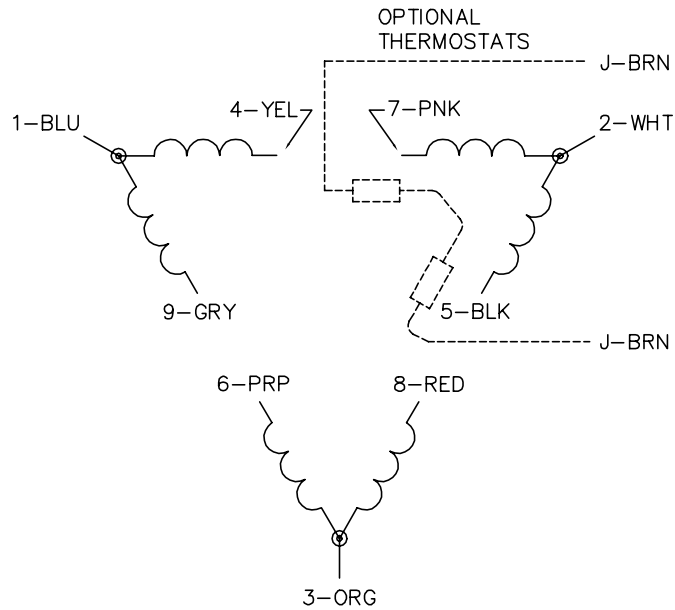
Data Valid For Nameplate Speed Range only

**BALDOR**  
A MEMBER OF THE ABB GROUP

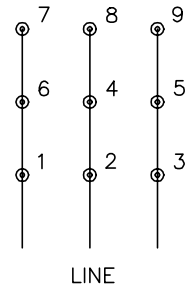
DR BY	BR	A-C MOTOR	12WG1141
CK BY	BR	PERFORMANCE	
APP BY	BR	CURVES	
DATE	10/16/2015		



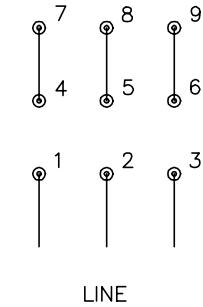
CD0180



LOW VOLTAGE  
(2D)



HIGH VOLTAGE  
(1D)



NOTES:

1. INTERCHANGE ANY TWO LINE LEADS TO REVERSE ROTATION.
2. OPTIONAL THERMOSTATS ARE PROVIDED WHEN SPECIFIED.
3. ACTUAL NUMBER OF INTERNAL PARALLEL CIRCUITS MAY BE A MULTIPLE OF THOSE SHOWN ABOVE.
4. LEAD COLORS ARE OPTIONAL. LEADS MUST ALWAYS BE NUMBERED AS SHOWN.

CD0180

REV. DESC: ADD CLASS CONN00000007		
REV. LTR: D	VERSION: 01	TDR: 000001099922
FILE: \AAA\00005\148	REVISED: 10:25:29 02/19/2019	BY: ENBRIRO
MTL: -	© □	

**BALDOR - RELIANCE®**

3PH, DV, 9 LEADS, DELTA CONNECTION

SH 1 of 1

Marketing maintained PDF of MN416:

<http://www.baldor.com/support/Literature/Load.ashx/MN416?ManNumber=MN416>