

BALDOR® • RELIANCE 

Product Information Packet

ZDVSM4407T-4

200HP, 1790-2685RPM, 3PH, 60-90HZ, 447T, A441

Part Detail							
Revision:	L	Status:	PRD/A	Change #:		Proprietary:	No
Type:	AC	Elec. Spec:	A44WG1128	CD Diagram:	416820-036	Mfg Plant:	
Mech. Spec:		Layout:	617427-069	Poles:	04	Created Date:	08-24-2012
Base:		Eff. Date:	09-12-2023	Leads:	3#1/0 (02 per group)		

Specs			
Catalog Number:	ZDVSM4407T-4	Duty Rating:	CONT
Enclosure:	TEFC	Feedback Device:	ENCODER
Frame:	447T	Heater Indicator:	No Heater
Frame Material:	Iron	Insulation Class:	F
Motor Letter Type:	Three Phase	Inverter Code:	Inverter Duty
Output @ Frequency:	200.000 HP @ 90 HZ	IP Rating:	NONE
	200.000 HP @ 60 HZ	KVA Code:	L
Synchronous Speed @ Frequency:	3000 RPM @ 90 HZ	Lifting Lugs:	Standard Lifting Lugs
Voltage @ Frequency:	460.0 V @ 60 HZ	Motor Lead Quantity/Wire Size:	6 @ 1/0 AWG
	460.0 V @ 90 HZ	Motor Type:	A44106M
Haz Area Class and Group:	None	Mounting Arrangement:	F1
Haz Area Division:	Not Applicable	Power Factor:	87
Agency Approvals:	CCSA US	Pulley End Bearing Type:	Ball
Auxillary Box:	No Auxillary Box	Pulley Face Code:	Standard
Base Indicator:	Rigid	Shaft Ground Indicator:	No Shaft Grounding
Bearing Grease Type:	Polyrex EM (-20F +300F)	Shaft Rotation:	Reversible
Constant Torque Speed Range:	1000:1	Shaft Slinger Indicator:	No Slinger
Current @ Voltage:	218.000 A @ 460.0 V	Speed Code:	Single Speed

	226.000 A @ 460.0 V	Motor Standards:	NEMA
Design Code:	A	Starting Method:	Direct on line
Drip Cover:	No Drip Cover	Thermal Device - Bearing:	None
		Thermal Device - Winding:	Normally Closed Thermostat

Nameplate 000613007HV											
CAT NO	ZDVSM4407T-4			SPEC NO.	P44G4015						
SER.NO.				FRAME	447T						
	HP	RPM	VOLTS	AMPS	HZ	TYPE	P				
BASE	200	1790	460	226	60	SF	1.00				
MAX	200	2685	460	218	90	INSUL.CLASS	F				
DRIVE END BEARING	90BC03J30X			CONSTANT TORQUE	DUTY	CONT	AMB 40				
OPP D.E. BEARING	6318C3VL0241			1000:1	ENCL	TEFC	PHASE 3				
DESIGN NO.	A44WG1128-R001			FLUX AMPS	75.6		VPWM INVERTER READY				
MAX SPEED/RPM	3600			OVERTEMP PROT	2	WK2	70.1	POLES	4	WEIGHT	

Parts List		
Part Number	Description	Quantity
SA254361	SA P44G4015	1.000 EA
RA241169	RA P44G4015	1.000 EA
000692000FF	N/P	1.000 EA
000692000VD	LABEL WARNING	1.000 EA
000613007HV	N/P BALDOR VSMMASTER	1.000 EA
421948051	LABEL, MYLAR	1.000 EA
412118006A	DRAIN	2.000 EA
004824015A	GREASE POLYREX EM	1.160 LB
032018008CK	HHCS 3/8-16X1L PLATED	4.000 EA
032018020FK	HHCS 3/4-10X2-1/2 PLTD.	4.000 EA
032018030DK	HHCS 1/2-13X3-3/4 PLTD.	3.000 EA
032620016LA	SOCKET SET SCREW-449	3.000 EA
032018030DK	HHCS 1/2-13X3-3/4 PLTD.	3.000 EA
034017014AB	LCKW 3/8 STD. PLATED	4.000 EA
034180014DA	KEY 1/4X1/4X1-3/4 L	1.000 EA
034530072AB	P/NIP 1/8X9"L Threaded both ends	1.000 EA
035000001A	ALFTG 1/8" 1610-BL	1.000 EA
034690002AB	PPLG 1/4" PLTD.	1.000 EA
034690005AB	PPLG 3/4 PLATED	2.000 EA
089490099A	G28 BRKT 089490098WCA KB	1.000 EA
702618004T	FAN KB 182/70 (112) 440	1.000 EA
083199082A	G28 FAN COVER MACHINING SHORT VERSION	1.000 EA
410700004A	WSHR	1.000 EA
415072001B	CLAMP	1.000 EA

Parts List (continued)		
Part Number	Description	Quantity
415096002A	CPLG 1/8 HEX TYPE	1.000 EA
032018004BK	HHCS 5/16-18X1/2 PLATED	3.000 EA
032018020FK	HHCS 3/4-10X2-1/2 PLTD.	4.000 EA
034017013AB	LCKW 5/16 STD. PLATED	3.000 EA
034530044AB	P/NIP 1/8X5-1/2L GALV.	1.000 EA
035000001A	ALFTG 1/8" 1610-BL	1.000 EA
034690002AB	PPLG 1/4" PLTD.	1.000 EA
089490099A	G28 BRKT 089490098WCA KB	1.000 EA
415096002A	CPLG 1/8 HEX TYPE	1.000 EA
418151014G	RETAIN RING	1.000 EA
702623013A	THERMAL BARRIER -- G28 -- BRACKET MTD	1.000 EA
032018008DK	HHCS 1/2-13X1 PLATED	4.000 EA
611712053RY	TACH & HARDWARE KIT	1.000 EA
415915007G	GASK, LAC	1.000 FT
033512004LB	HHTTS 1/4-20X1/2 PLTD.	1.000 EA
033512006LB	HHTTS 1/4-20X3/4 PLTD.	8.000 EA
406056008A	GASKET, TERBD 440	1.000 EA
406099000A	PLUG - FAN COVER 320-440	1.000 EA
415000103D	T/LUG #4AWG-1/0AWG W/HOLE FOR .250 BOLT	1.000 EA
418153001A	GASK 440	1.000 EA
702658001B	+C/BOX, PAINTED 440	1.000 EA
702658002A	+C/BOX CVR, PAINTED 440	1.000 EA
033775004EA	DRSCR #6-1/4 304 S.S.	2.000 EA
034180054KA	7/8 SQ X 6.75 KEY	1.000 EA

604797056	WOOD BASE 447 60 X 41-1/2 BLT 20 X 18	1.000 EA
MG1025N19	WILKO 778.50 BLUE GREEN - 55 GAL DRUMS	0.500 GA

REL. S. O. - 447T
 FRAME 447T
 HP 200
 BASE SPEED 1790
 PHASE/HERTZ 3/60

VOLTS 460
 AMPS 226
 DUTY 1.0
 S.F. 1.0
 AMB °C/INSUL 40/F

ENCLOSURE 226
 MAX SAFE RPM 3600
 IM (AMPS) 75.6
 P.F. @NL/FL .069/.867
 WK² (LB-FT²) 70.1

TEFC 3600
 R1 .00721
 R2 .00459
 R3 .0885

WYE CONN EQ CKT OHMS PER PHASE (AT BASE RATING, 25 °C)
 X1 .0917
 X2 .0885
 XM 2.97

RATED FULL LOAD DATA

	RPM	HP	TORQUE LB-FT	FUND VOLTS	FREQ-HZ	AMPS
BASE SPEED	1792	200	586	460	60	226
MAX SPEED	2687	200	391	460	90	218
MIN SPEED	0	0	586	6.20	.281	226


LOAD PERFORMANCE AT BASE SPEED

	RPM	HP	TORQUE LB-FT	FUND VOLTS	FREQ-HZ	AMPS
NO LOAD	1800	0	0	460	60	75.4
1/4	1798	50.0	146	460	60	104
1/2	1796	100	293	460	60	138
3/4	1794	150	439	460	60	180
FULL LOAD	1792	200	586	460	60	226
O/L	1782	398	1173	460	60	434

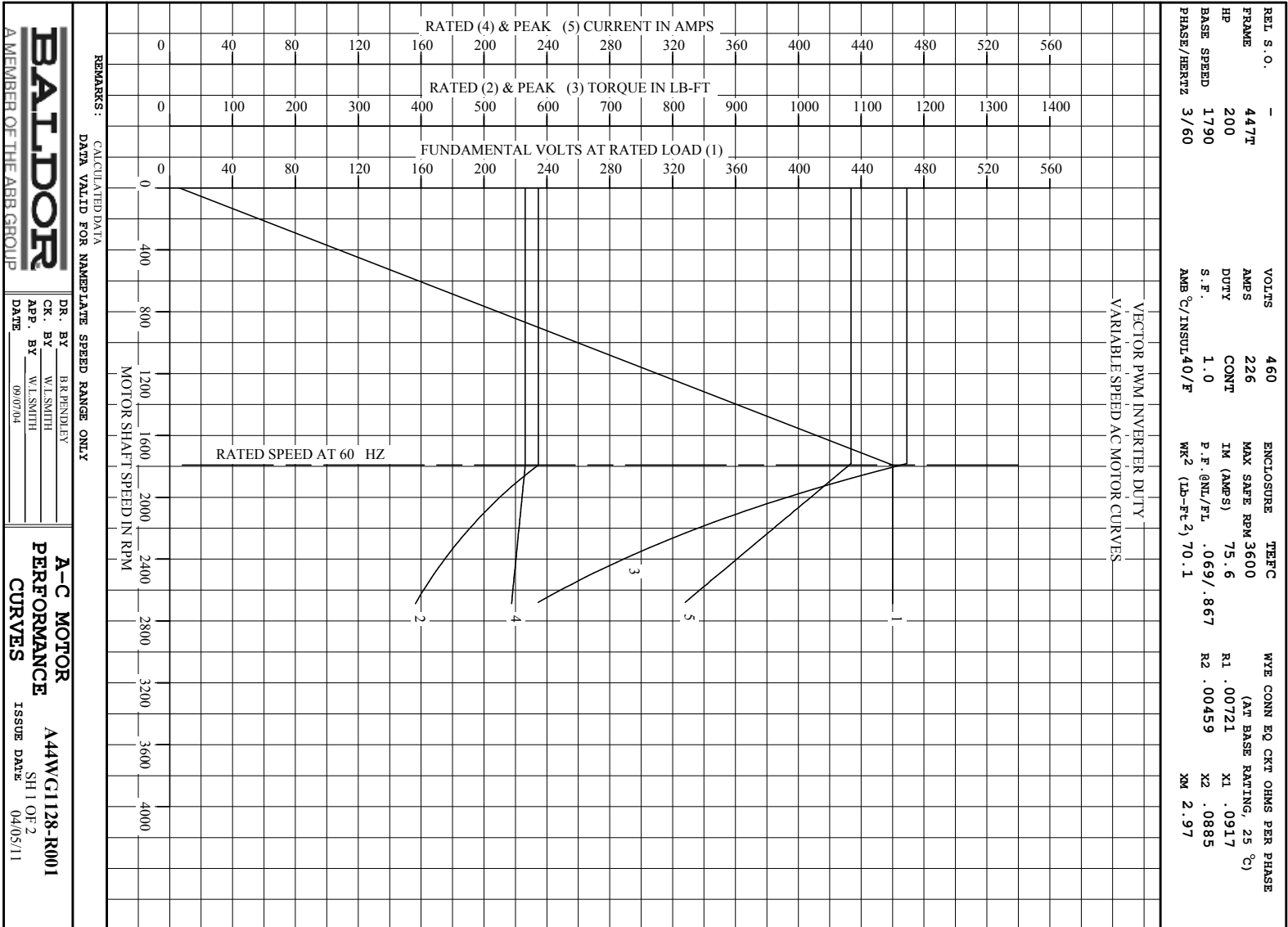
BLOWER DATA

VOLTS	PH/HZ	FL AMPS	LR AMPS	FRAME	CFM

REMARKS: CALCULATED DATA
 VECTOR PWM INVERTER DUTY

 A MEMBER OF THE ABB GROUP	DR. BY _____	B. R. PENDLEY
	CK. BY _____	W. I. SMITH
APP. BY _____	W. I. SMITH	
DATE _____	09/07/04	

A-C MOTOR PERFORMANCE DATA	A44WG1128-R001 ISSUE DATE 04/05/11
----------------------------------	--

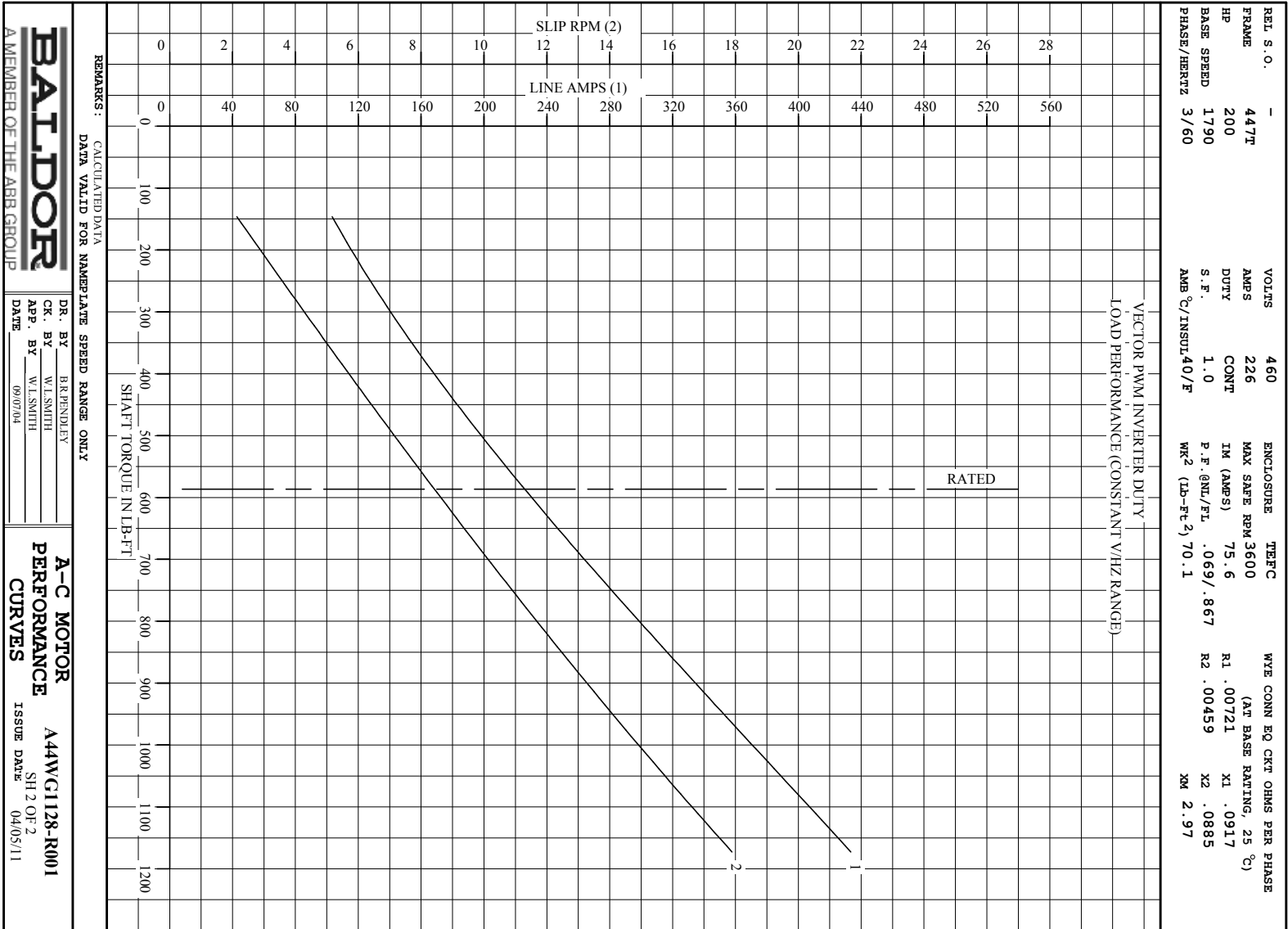


BALDOR
A MEMBER OF THE ABB GROUP

DR. BY BRANDLEY
CK. BY WLSMITH
APP. BY WLSMITH
DATE 09/07/04

A-C MOTOR
PERFORMANCE
CURVES
A44WG1128-R001
SH 1 OF 2
ISSUE DATE 04/05/11

1



REMARKS: CALCULATED DATA
DATA VALID FOR NAMEPLATE SPEED RANGE ONLY

BALDOR A MEMBER OF THE ABB GROUP	<table border="0" style="width: 100%;"> <tr> <td style="width: 50%;">DR. BY B. BENDLEY</td> <td style="width: 50%;">APP. W.L. SMITH</td> </tr> <tr> <td>CK. BY W.L. SMITH</td> <td>DATE 09/07/04</td> </tr> </table>	DR. BY B. BENDLEY	APP. W.L. SMITH	CK. BY W.L. SMITH	DATE 09/07/04
DR. BY B. BENDLEY	APP. W.L. SMITH				
CK. BY W.L. SMITH	DATE 09/07/04				
A-C MOTOR PERFORMANCE CURVES	A44WG1128-R001 SH 2 OF 2 ISSUE DATE 04/05/11				

617427-069

DUTY MASTER ALTERNATING CURRENT MOTORS

SQUIRREL-CAGE INDUCTION

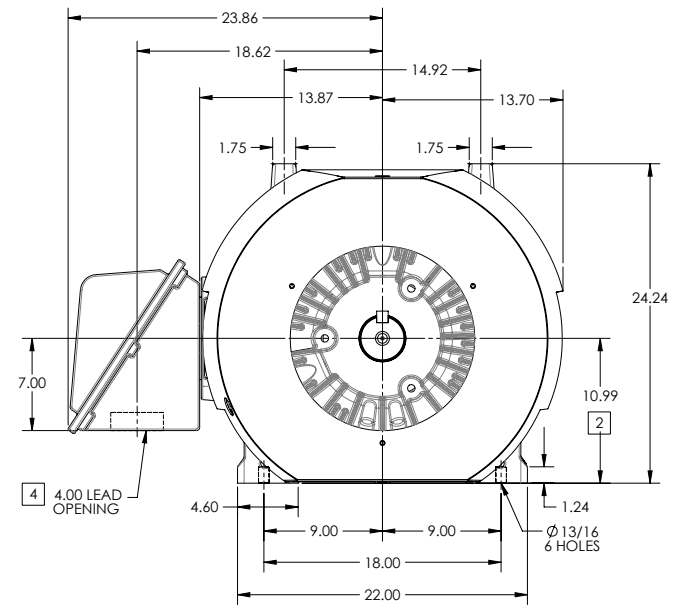
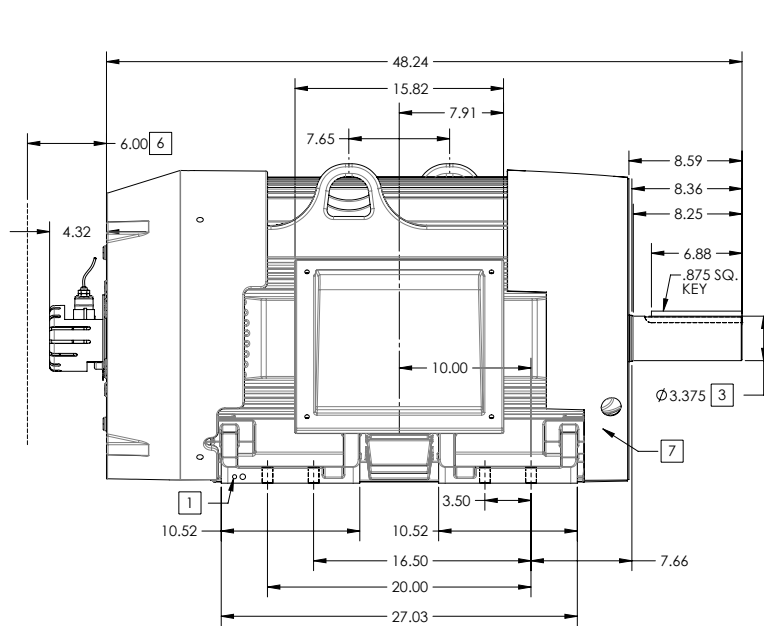
ENCLOSURE: TOTALLY ENCLOSED

FRAME G447T ABOVE NEMA RATINGS

COOLING: FAN COOLED

MOUNTING: FOOT

INCLUDES 445T FRAME MOUNTING HOLES
WITH BEI HS-35 ENCODER



1. GROUND HOLES QTY 1 1/2-13 TAP; QTY 1 3/8-16 TAP
2. VARIES +.00,-.06
3. VARIES +.000,-.001
4. ON STANDARD MOTORS THIS IS CONDUIT SIZE. ON XT AND CORROSION PROOF MOTOR THIS IS PIPE TAP.
5. MOTOR WEIGHTS MAY VARY BY 15% DEPENDING ON RATING.
6. OBSTRUCTION MUST NOT ENCR OACH ON AIR INLET.
7. AIR DEFLECTOR INSTALLED WHEN REQUIRED.

CONDUIT BOX LOCATED ON OPPOSITE SIDE WHEN F-2.
IF MOUNTING CLEARANCE DETAILS ARE REQUIRED, CONSULT FACTORY.
MAXIMUM PERMISSIBLE SHAFT RUNOUT WHEN MEASURED AT END OF
STANDARD SHAFT EXTENSION IS .003" T.I.R. TO 5 INCH DIA.

5 WEIGHT (LBS): 2515

DRIVE END AIR DEFLECTOR IS ONLY INCLUDED WHEN NECESSARY.

DIMENSIONS ARE IN INCHES; SEE SHEET 2 FOR DIMENSIONS IN MILLIMETERS

CUSTOMER IS RESPONSIBLE FOR DETERMINING THAT MOTOR PERFORMANCE IS SUITABLE IN THE APPLICATION.

SHEET NUMBER
1 OF 2

6907-27-119

REV. DESC-INITIAL RELEASE			
REV. -	VERSION: 00	REVISED-03-29-28 08/24/2012	TDR: 00000761412
MODEL NO. 617427-069			REF:
BY: MGHMMZ2	Material:		

BALDOR

G447T/445T STD - FOOTED - SIDE-CENTER C/B BEI HS-35 ENCODER

617427-069

DUTY MASTER ALTERNATING CURRENT MOTORS

SQUIRREL-CAGE INDUCTION

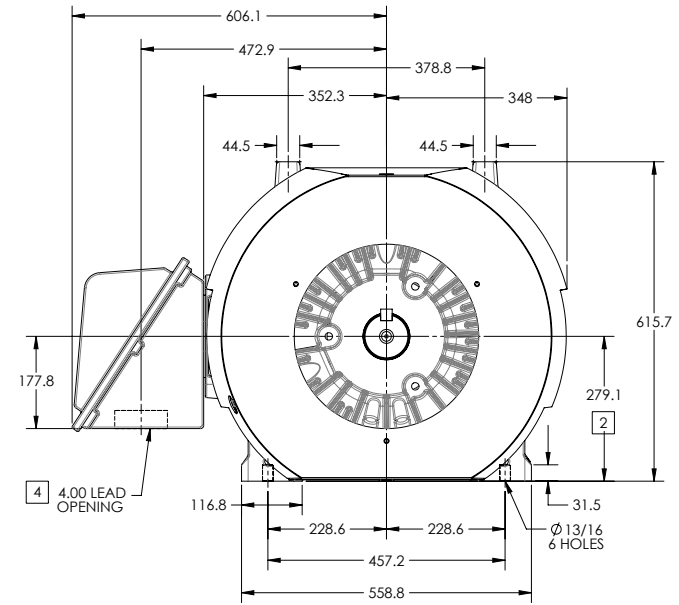
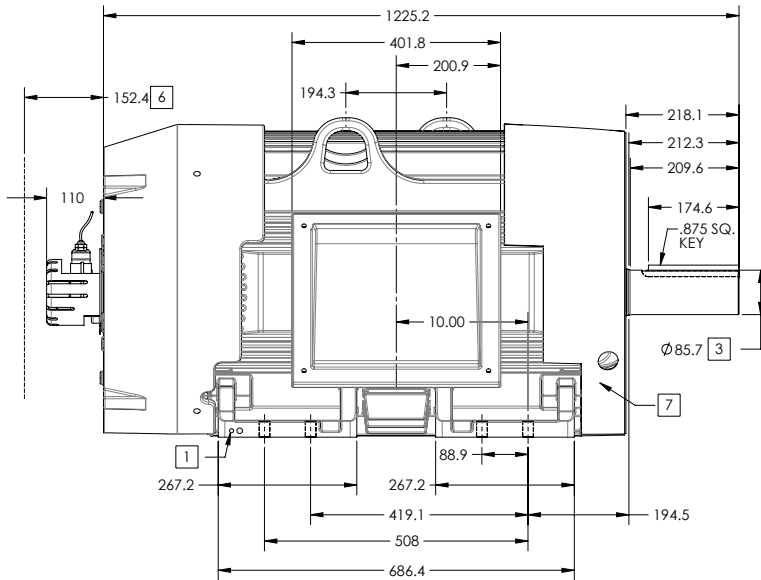
ENCLOSURE: TOTALLY ENCLOSED

FRAME G447T ABOVE NEMA RATINGS

COOLING: FAN COOLED

MOUNTING: FOOT

INCLUDES 445T FRAME MOUNTING HOLES
WITH BEI HS-35 ENCODER



1. GROUND HOLES QTY 1 1/2-13 TAP; QTY 1 3/8-16 TAP
2. VARIES +.00,-.06
3. VARIES +.000,-.001
4. ON STANDARD MOTORS THIS IS CONDUIT SIZE. ON XT AND CORROSION PROOF MOTOR THIS IS PIPE TAP.
5. MOTOR WEIGHTS MAY VARY BY 15% DEPENDING ON RATING.
6. OBSTRUCTION MUST NO ENCROACH ON AIR INLET.
7. AIR DEFLECTOR INSTALLED WHEN REQUIRED.

CONDUIT BOX LOCATED ON OPPOSITE SIDE WHEN F-2.
IF MOUNTING CLEARANCE DETAILS ARE REQUIRED, CONSULT FACTORY.
MAXIMUM PERMISSIBLE SHAFT RUNOUT WHEN MEASURED AT END OF
STANDARD SHAFT EXTENSION IS .08 MM T.I.R. TO 127 MM DIA.

5 WEIGHT (KGS): 1140

DRIVE END AIR DEFLECTOR IS ONLY INCLUDED WHEN NECESSARY.

DIMENSIONS ARE IN MILLIMETERS; SEE SHEET 1 FOR DIMENSIONS IN INCHES

CUSTOMER IS RESPONSIBLE FOR DETERMINING THAT MOTOR PERFORMANCE IS SUITABLE IN THE APPLICATION.

REV. DESC-INITIAL RELEASE			
REV: -	VERSION: 00	REVISED: 03-29-28 08/24/2012	TDR: 00000761412
MODEL NO. 617427-069		REF:	
BY: MGHMMZ2	Material:	C	

BALDOR

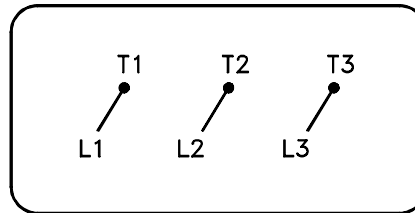
G447T/445T STD - FOOTED - SIDE-CENTER C/B BEI HS-35 ENCODER

690-272719

617427-069

416820-036

A-C MOTOR
 CONNECTION DIAGRAM
 STANDARD 3 LEAD CONNECTED



(N.P. 1575-BA)

416820-036

REV. DESC: LOADED TO BUS, C/R 335225		
REV. LTR: -	VERSION: 00	TDR: 000000538207
FILE: \MGA\00000\682	REVISED: 11:54:06 04/30/2010	
MTL: -	BY: RAGRA	

BALDOR

CONN DIAG - STANDARD 3 LEAD

SH 1 of 1