

BALDOR® • RELIANCE 

Product Information Packet

CD2003R-2

3HP 1750/2300 240/240V C1811ATCZ SPG

Part Detail							
Revision:	-	Status:	PRD/A	Change #:		Proprietary:	No
Type:	DC	Prod. Type:		Elec. Spec:	G2201C B	CD Diagram:	406770-001
Enclosure:	DP	Mfg Plant:		Mech. Spec:		Layout:	609980-023
Frame:	C1811	Mounting:	F1	Poles:	00	Created Date:	12-12-2019
Base:		Rotation:		Insulation:		Eff. Date:	12-13-2019
Field Type:		Literature:		Elec. Diagram:		Replaced By:	

Specs			
Enclosure:	DP		
Frame:	C1811ATCZ		
Frame Material:	Exposed Laminations		
Agency Approvals:	CCSA US		
Base Indicator:	Rigid		
Bearing Grease Type:	Polyrex EM (-20F +300F)		
Drip Cover:	No Drip Cover		
Duty Rating:	CONT		
Feedback Device:	NO FEEDBACK		
Field Winding Type:	STAB SHUNT		
Frame Prefix:	C		
Heater Indicator:	No Heater		
Insulation Class:	F		
Lifting Lugs:	Standard Lifting Lugs		
Mounting Arrangement:	F1		
Shaft Extension Location:	Pulley End		

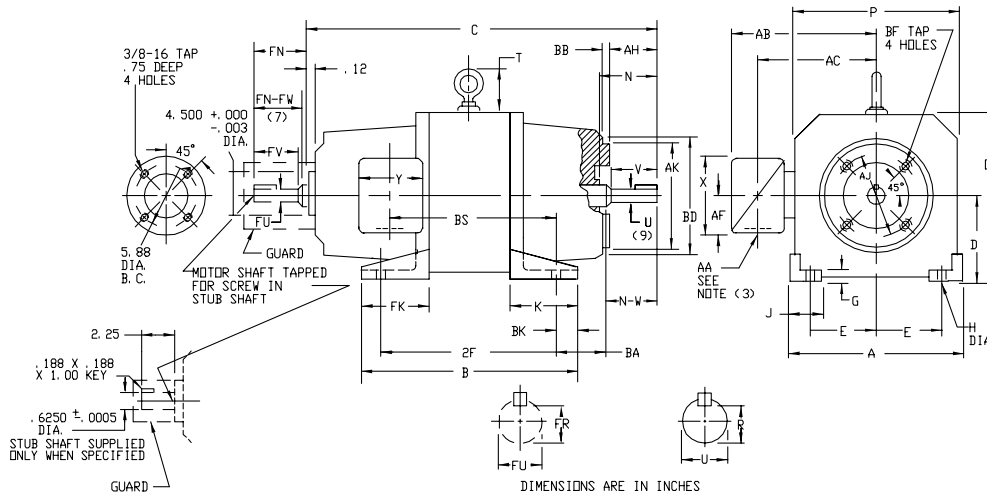
Shaft Ground Indicator:	No Shaft Grounding		
Shaft Slinger Indicator:	No Slinger		
Motor Standards:	NEMA		
Thermal Device - Bearing:	None		

Nameplate 000613006HP	
CAT.NO.	CD2003R-2
FR	
ENCL.	DP
ENCL MOD	GUARDED
MAX SAFE SPEED	2450
FIELD DATA	
WINDING	STAB SHUNT
VOLTS	240
MAX AMPS @ 25 C	.99
HOT AMPS	.74/.38
	BRUSH:419904051AB
	SPLASHPROOF
SPEC NO.	T18S1009
HP	3
RPM	1750/2300
VOLTS	240
AMPS	11.00
SER.NO.	
DUTY	CONT
S.F.	1.0
INSUL	F
AMB.	40
POWER CODE	C
D.E. BRG.	40BC02J30X
O.D.E. BRG.	30BC02J30X
MIN. AMB.	0
TYPE	TR

INDUSTRIAL DIRECT CURRENT MOTORS AND GENERATORS – RPM III

ENCLOSURE: DRIP-PROOF FULLY-GUARDED MOUNTING: FOOT,NEMA AC "C" FACE COOLING: SELF-VENTILATED ACCESSORIES: PROVISION FOR TACHOMETER MOUNTING ONLY WHEN SPECIFIED
 SPLASHPROOF, TOTALLY ENCLOSED METHOD OF DRIVE:COUPLED OR BELTED NON-VENTILATED

FRAMES C180ATCZ



- (1) "D" DIMENSION WILL NOT BE EXCEEDED. SHIMS UP TO .06 INCHES IN THICKNESS ARE USUALLY REQUIRED FOR COUPLED OR GEARED MACHINES.
- (2) "U" AND "FU" VARY +.0000 -.0005
- (3) TERMINAL BOX CAN BE ROTATED FOR LEAD OUTLET AT TOP, SIDES OR BOTTOM.
 FOR "X/P" TERMINAL BOX DIMENSIONS SEE 609989-1.
 FOR MILL TYPE TERMINAL BOX DIMENSIONS SEE 609989-2.
- (4) "R" AND "FR" VARY +.000 -.015
- (5) AA CONDUIT, TERMINAL BOX PROVIDED WITH DOUBLE KNOCKOUT.
- (6) AA PIPE TAP
- (7) OPPOSITE DRIVE END SHAFT SUPPLIED ONLY WHEN SPECIFIED.
- (8) "AK" VARIES +.000, -.003.
 FACE RUNOUT AND ECCENTRICITY .004 MAX. T. I. R.
- (9) DRIVE END SHAFT DIMENSIONS PER 180T AC MOTOR SHAFT EXTENSION.
- (10) WHEN THE MOTOR APPLICATION DOES NOT REQUIRE THE USE OF DPP, DRIVE END, ADD .25 TO "C" DIM. FOR BRACKET COVER.

TERMINAL BOX LOCATED ON OPPOSITE SIDE WHEN F-2, W-1, W-4, W-5, W-7 OR C-1 MOUNTING IS SPECIFIED. BOX LOCATED ON TOP WHEN SPECIFIED.

MOTOR WEIGHT MAY VARY 15% FOR NON-STANDARD RATINGS AND/OR ACCESSORIES.

IF MOUNTING CLEARANCE DETAILS ARE REQUIRED, CONSULT FACTORY.

FRAME	A	DK(1)	E	G	H	J	D	P	T	BA	K	FK	BK	BB	BD	BF TAP	*DEPTH*	AJ	AK(8)
C1811ATCZ-C1812ATCZ	9.00	4.50	3.75	1.31	1.44	1.50	8.88	8.75	1.88	2.75	4.38	4.38	.50	.25	8.75	1/2-13	.88	7.25	8.500

FRAME	C(10)	B	BS	2F	DRIVE END SHAFT AND KEY (9)										OPPOSITE DRIVE END SHAFT AND KEY (7)				WT. LBS.	
					AH	N	N-W	UK(2)	V	R(4)	SG	LGTH	FN	FN-FW	FV	FR(4)	SG	LGTH		
C1811ATCZ	24.06	14.00	11.00	12.50	2.62	3.12	2.88	1.1250	2.62	.986	2.50	1.75	2.44	2.25	1.1250	2.00	.986	2.50	1.38	180
C1812ATCZ	25.56	15.50	12.50	14.00	2.62	3.12	2.88	1.1250	2.62	.986	2.50	1.75	2.44	2.25	1.1250	2.00	.986	2.50	1.38	215

FRAME	MAX. AMPS	STEEL TERMINAL BOX DIMENSIONS													
		STANDARD SIZE					ONE SIZE LARGER								
		AA(5)	AB	AC	AF	X	Y	AA(5)	AB	AC	AF	X	Y		
C180ATCZ	40	3/4 & 1"	7.31	5.75	1.94	4.38	5.00	705028-1-R	1-1/4 & 1-1/2	8.31	6.31	2.50	5.50	6.12	705029-1-R
	96	1-1/4 & 1-1/2	8.31	6.31	2.50	5.50	6.12	705029-1-R	2" & 2-1/2"	9.44	6.69	3.19	7.00	7.62	705030-1-R

FRAME	MAX. AMPS	CAST IRON TERMINAL BOX DIMENSIONS													
		STANDARD SIZE					ONE SIZE LARGER								
		AA(6)	AB	AC	AF	X	Y	AA(6)	AB	AC	AF	X	Y		
C180ATCZ	18	3/4	9.38	7.38	2.50	5.00	5.75	705028-2-S	1	9.38	7.38	2.50	5.00	5.75	705028-2-T
	40	1	9.38	7.38	2.50	5.00	5.75	705028-2-T	1-1/2	10.31	7.88	3.00	6.00	7.00	705029-2-R
	96	1-1/2	10.31	7.88	3.00	6.00	7.00	705029-2-R	2	10.31	7.88	3.00	6.00	7.00	705029-2-S

CUSTOMER IS RESPONSIBLE FOR DETERMINING THAT BALDOR'S PRODUCT WILL PERFORM SUITABLY IN THE INTENDED APPLICATION.

REV. DESC: REVISE "D" DIMENSION TOLERANCE	TDR: 000001150521
REV. LTR: B	VERSION: 02
FILE: \RGG\00030\981	REVISED: 12:00:27 10/06/2020
MTL: -	BY: RGGNAS

BALDOR - RELIANCE®

DIMENSION DRAWING,C180ATCZ,TENV,DPP,FOOT MTG.,NEMA AC C-FACE

SH 1 of 1

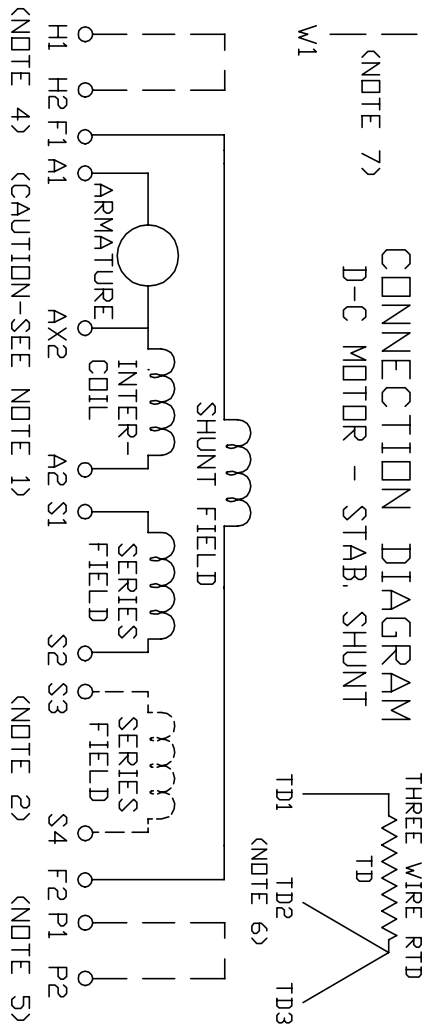
609980-023

609980-023

406770-001

406770-001

**CONNECTION DIAGRAM
D-C MOTOR - STAB. SHUNT**



ARMATURE AND FIELD EXTERNAL CONNECTIONS
WARNING- SEE NOTE 8 FOR GROUNDING INSTRUCTIONS



ROTATION FACING COMMUTATOR END

- CAUTION** — ARMATURE AND SERIES FIELD MAY HAVE MULTIPLE LEADS. CONNECT ALL LUGS WITH THE SAME MARKING TOGETHER.
 - OPTIONAL SERIES FIELD IS MARKED S3 AND S4. FOR CUMULATIVE SERIES FIELD, CONNECT S3 TO S2 AND CONNECT S4 TO NEGATIVE. FOR DIFFERENTIAL SERIES FIELD CONNECT S4 TO S2 AND S3 TO NEGATIVE.
 - OPTIONAL CONTROL SIGNAL LEAD IS MARKED AX2. ALWAYS TAKE INTERPOLE DROP BETWEEN A2 AND AX2. NOTE: NEMA DESIGNATION FOR AX2 IS LETTER C.
 - SPACE HEATERS, WHEN PROVIDED, WILL HAVE LEADS MARKED H1 AND H2, H3, H4, ETC.
 - THERMAL PROTECTOR, WHEN PROVIDED, WILL HAVE LEADS MARKED P1 AND P2, P3, P4, ETC.
 - WINDING RTD'S, WHEN PROVIDED, WILL HAVE LEADS MARKED TD1, TD2, & TD3
 - BRUSH WEAR SENSOR, WHEN PROVIDED, WILL HAVE LEAD MARKED W1.
 - WARNING** — MOTOR MUST BE GROUNDED TO PREVENT SERIOUS INJURIES TO PERSONNEL. GROUND THE MOTOR PER IEC, NATIONAL ELECTRICAL CODE AND ANY APPLICABLE LOCAL ELECTRICAL CODES. A TAPPED HOLE IS PROVIDED IN THE CONDUIT BOX, ON THE FOOT. FRAME BRACE OR OPPOSITE DRIVE END BRACKET, ADJACENT TO THE TERMINAL BOX FOR MOTOR GROUNDING. GROUND LEAD, WHEN PROVIDED, WILL BE GREEN.
- CUSTOMER _____ RELIANCE
ORDER NO. _____ S.D. NO. _____

REV. DESC: DELETED DUPLICATE WORDS FROM NOTE 8

REV. LTR: A

VERSION: 01

TDR: 000000970330

FILE: \RSN\00026\422

REVISED: 10:19:12 03/11/2016

BY: RAGTBM

MTL: -

BALDOR

D-C MOTOR CONNECTION DIAGRAM STAB. SHUNT

SH 1 of 1