

BALDOR® • RELIANCE 

Product Information Packet

CEBM7014T

1HP, 1765RPM, 3PH, 60HZ, 143TC, 3524M, XPNV, F1

Part Detail							
Revision:	F	Status:	NLA/A	Change #:		Proprietary:	No
Type:	AC	Elec. Spec:	35WGP529	CD Diagram:	CD0005	Mfg Plant:	
Mech. Spec:	35U456	Layout:	35LYU456	Poles:	04	Created Date:	10-12-2015
Base:	RG	Eff. Date:	01-18-2023	Leads:	9#18		

Specs			
Catalog Number:	CEBM7014T	Insulation Class:	B
Enclosure:	XPNV	Inverter Code:	Inverter Ready
Frame:	143TC	KVA Code:	N
Frame Material:	Steel	Lifting Lugs:	No Lifting Lugs
Motor Letter Type:	Three Phase	Locked Bearing Indicator:	Locked Bearing
Output @ Frequency:	1.000 HP @ 60 HZ	Motor Lead Quantity/Wire Size:	9 @ 18 AWG
Synchronous Speed @ Frequency:	1800 RPM @ 60 HZ	Motor Lead Exit:	Ko Box
Voltage @ Frequency:	230.0 V @ 60 HZ	Motor Lead Termination:	Flying Leads
	460.0 V @ 60 HZ	Motor Type:	X3524M
XP Class and Group:	CLI GP D; CLII GP F,G	Mounting Arrangement:	F1
XP Division:	Division I	Power Factor:	70
Agency Approvals:	CSA	Product Family:	General Purpose
	CSA EEV	Pulley End Bearing Type:	Ball
	UR	Pulley Face Code:	C-Face
Auxillary Box:	No Auxillary Box	Pulley Shaft Indicator:	Standard
Auxillary Box Lead Termination:	None	Rodent Screen:	None
Base Indicator:	Rigid	RoHS Status:	ROHS NON-COMPLIANT
Bearing Grease Type:	Polyrex EM (-20F +300F)	Shaft Extension Location:	Pulley End

Blower:	None	Shaft Ground Indicator:	No Shaft Grounding
Current @ Voltage:	3.300 A @ 208.0 V	Shaft Rotation:	Reversible
	3.000 A @ 230.0 V	Shaft Slinger Indicator:	No Slinger
	1.500 A @ 460.0 V	Speed Code:	Single Speed
Design Code:	B	Motor Standards:	NEMA
Drip Cover:	No Drip Cover	Starting Method:	Direct on line
Duty Rating:	CONT	Thermal Device - Bearing:	None
Electrically Isolated Bearing:	Not Electrically Isolated	Thermal Device - Winding:	Normally Closed Thermostat
Feedback Device:	NO FEEDBACK	Vibration Sensor Indicator:	No Vibration Sensor
Front Face Code:	Brake Mounting	Winding Thermal 1:	None
Front Shaft Indicator:	None	Winding Thermal 2:	None
Heater Indicator:	No Heater	XP Temp Code:	T3C

Nameplate NP1426XPSLEV	
NO.	[] CC 010A []
SER.	[]
SPEC.	35U456P529G1
CAT.NO.	CEBM7014T
HP	1 T. CODE T3C []
VOLTS	230/460
AMPS	3/1.5
RPM	1765
HZ	60 PH 3 CL B
SER.F.	1.00 DES B CODE N
RATING	40C AMB-CONT
FRAME	143TC NEMA-NOM-EFF 87.5 []
USABLE AT 208V	N/A PF 70 []
BLANK	[]

AC Induction Motor Performance Data

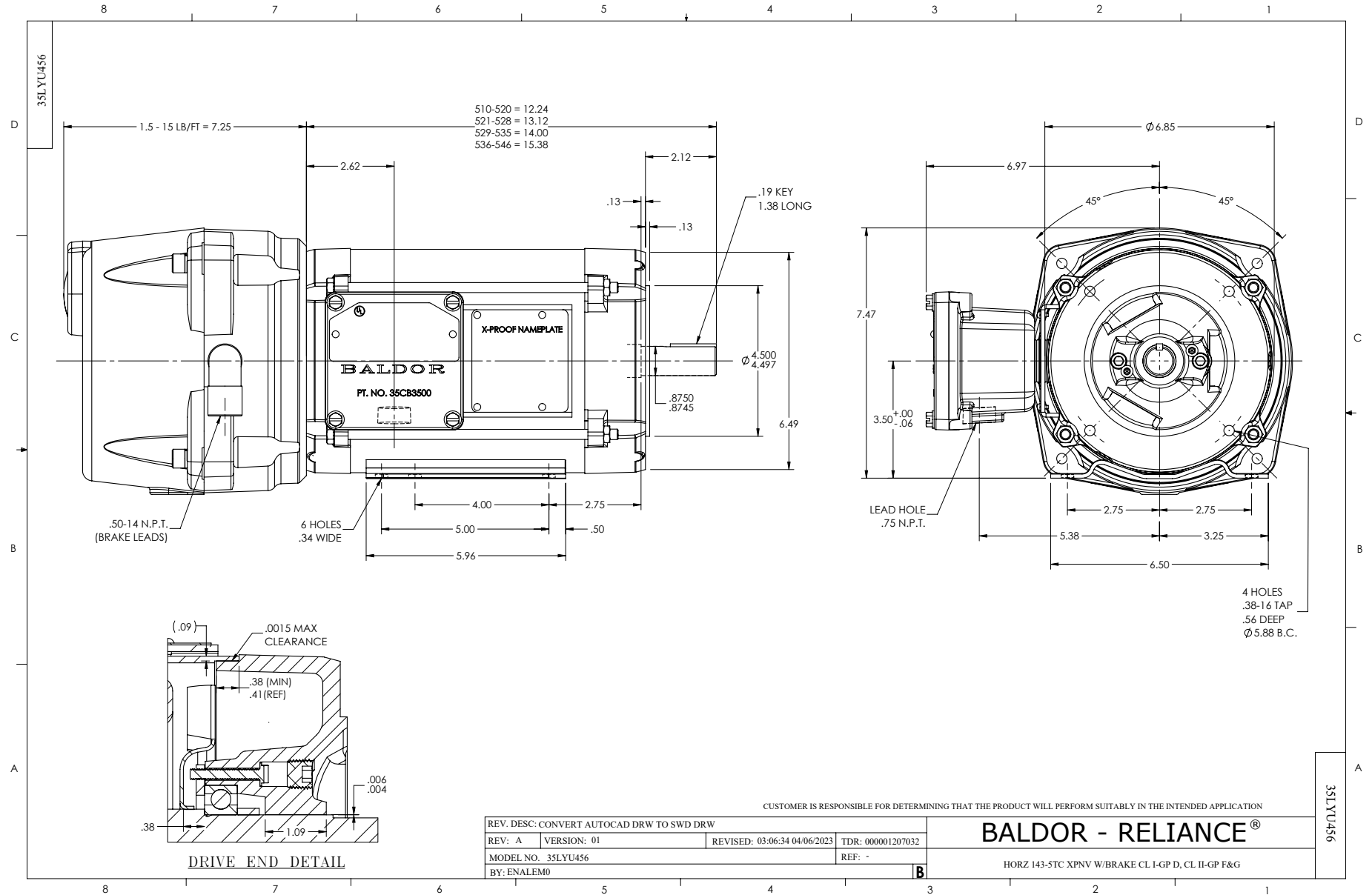
Record # 53444

Typical performance - not guaranteed values

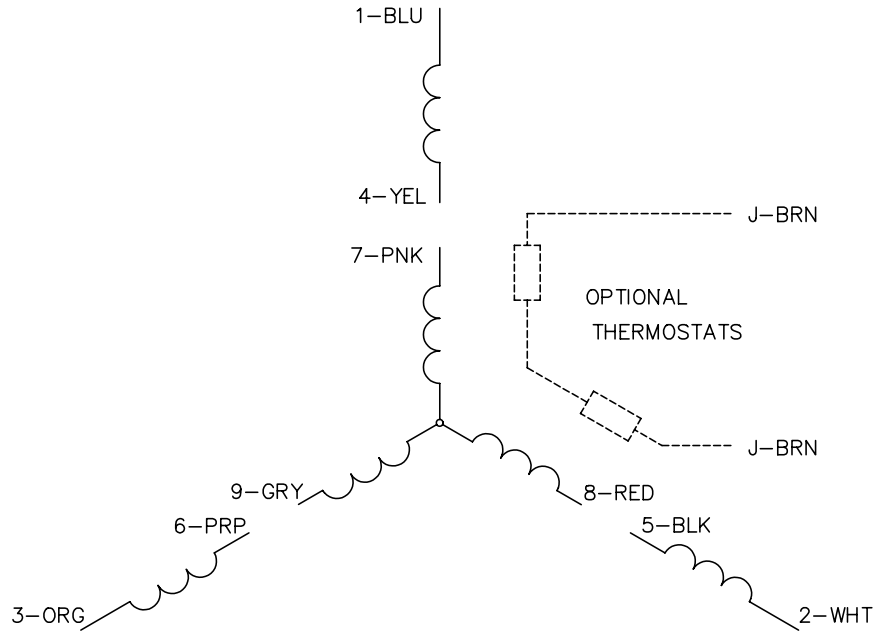
Winding: 35WGP529-R081		Type: 3524M		Enclosure: XPNV	
Nameplate Data			460 V, 60 Hz: High Voltage Connection		
Rated Output (HP)	1	Full Load Torque	2.99 LB-FT		
Volts	230/460	Start Configuration	direct on line		
Full Load Amps	3/1.5	Breakdown Torque	15.8 LB-FT		
R.P.M.	1765	Pull-up Torque	9.1 LB-FT		
Hz	60 Phase	3	Locked-rotor Torque	11 LB-FT	
NEMA Design Code	B KVA Code	N	Starting Current	15 A	
Service Factor (S.F.)		1	No-load Current	1.02 A	
NEMA Nom. Eff.	87.5 Power Factor	70	Line-line Res. @ 25°C	11.2 Ω	
Rating - Duty	40C AMB-CONT		Temp. Rise @ Rated Load	61°C	
			Locked-rotor Power Factor	48.9	
			Rotor inertia	0.142 LB-FT ²	

Load Characteristics 460 V, 60 Hz, 1 HP

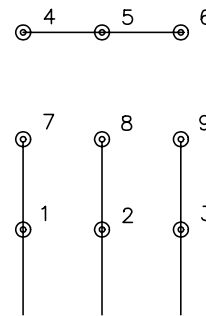
% of Rated Load	25	50	75	100	125	150
Power Factor	28	48	60	70	76	81
Efficiency	74.2	83.6	86.7	87.9	87.4	87.1
Speed	1793	1785	1778	1770	1761	1753
Line amperes	1.07	1.18	1.33	1.53	1.76	2



CD0005

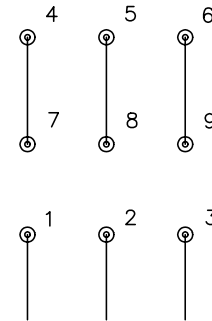


LOW VOLTAGE
(2Y)



LINE

HIGH VOLTAGE
(1Y)



LINE

NOTES:

1. INTERCHANGE ANY TWO LINE LEADS TO REVERSE ROTATION.
2. OPTIONAL THERMOSTATS ARE PROVIDED WHEN SPECIFIED.
3. ACTUAL NUMBER OF INTERNAL PARALLEL CIRCUITS MAY BE A MULTIPLE OF THOSE SHOWN ABOVE.
4. LEAD COLORS ARE OPTIONAL. LEADS MUST ALWAYS BE NUMBERED AS SHOWN.

REV. DESC: REVISE TO SHOW OPTIONAL COLORS			
REV. LTR: E	BY: JLP	REVISED: 01/19/99 10:15	TDR: 0171435
900000		FILE: AAA00005140	MDL: -
		MTL: -	

BALDOR ELECTRIC Co.

3PH, DV, 9 LEADS

CD0005