

**BALDOR® • RELIANCE** 

**Product Information Packet**

**CEM3613T-5**

**5HP,3450RPM,3PH,60HZ,184TC,3630M,TEFC,F1**

Part Detail							
Revision:	J	Status:	PRD/A	Change #:		Proprietary:	No
Type:	AC	Elec. Spec:	36WGS505	CD Diagram:	CD0006	Mfg Plant:	
Mech. Spec:	36A002	Layout:	36LYA002	Poles:	02	Created Date:	07-30-2010
Base:	RG	Eff. Date:	09-07-2016	Leads:	3#16		

Specs			
Catalog Number:	CEM3613T-5	Insulation Class:	F
Enclosure:	TEFC	Inverter Code:	Inverter Ready
Frame:	184TC	KVA Code:	L
Frame Material:	Steel	Lifting Lugs:	No Lifting Lugs
Motor Letter Type:	Three Phase	Locked Bearing Indicator:	Locked Bearing
Output @ Frequency:	5.000 HP @ 60 HZ	Motor Lead Quantity/Wire Size:	3 @ 16 AWG
Synchronous Speed @ Frequency:	3600 RPM @ 60 HZ	Motor Lead Exit:	Ko Box
Voltage @ Frequency:	575.0 V @ 60 HZ	Motor Lead Termination:	Flying Leads
XP Class and Group:	None	Motor Type:	3630M
XP Division:	Not Applicable	Mounting Arrangement:	F1
Agency Approvals:	NEMA_PREMIUM	Power Factor:	91
	UR	Product Family:	General Purpose
	NEMA PREMIUM	Pulley End Bearing Type:	Ball
	CSA EEV	Pulley Face Code:	C-Face
Auxillary Box:	No Auxillary Box	Pulley Shaft Indicator:	Standard
Auxillary Box Lead Termination:	None	Rodent Screen:	None
Base Indicator:	Rigid	Shaft Extension Location:	Pulley End
Bearing Grease Type:	Polyrex EM (-20F +300F)	Shaft Ground Indicator:	No Shaft Grounding

<b>Blower:</b>	None	<b>Shaft Rotation:</b>	Reversible
<b>Current @ Voltage:</b>	4.700 A @ 575.0 V	<b>Shaft Slinger Indicator:</b>	No Slinger
<b>Design Code:</b>	A	<b>Speed Code:</b>	Single Speed
<b>Drip Cover:</b>	No Drip Cover	<b>Motor Standards:</b>	NEMA
<b>Duty Rating:</b>	CONT	<b>Starting Method:</b>	Direct on line
<b>Electrically Isolated Bearing:</b>	Not Electrically Isolated	<b>Thermal Device - Bearing:</b>	None
<b>Feedback Device:</b>	NO FEEDBACK	<b>Thermal Device - Winding:</b>	None
<b>Front Face Code:</b>	Standard	<b>Vibration Sensor Indicator:</b>	No Vibration Sensor
<b>Front Shaft Indicator:</b>	None	<b>Winding Thermal 1:</b>	None
<b>Heater Indicator:</b>	No Heater	<b>Winding Thermal 2:</b>	None

<b>Nameplate NP3441L</b>										
<b>CAT.NO.</b>	CEM3613T-5									
<b>SPEC.</b>	36A002S505G1									
<b>HP</b>	5									
<b>VOLTS</b>	575									
<b>AMP</b>	4.7									
<b>RPM</b>	3450									
<b>FRAME</b>	184TC				<b>HZ</b>	60			<b>PH</b>	3
<b>SER.F.</b>	1.15		<b>CODE</b>	L	<b>DES</b>	A		<b>CL</b>	F	
<b>NEMA-NOM-EFF</b>	88.5		<b>PF</b>	91						
<b>RATING</b>	40C AMB-CONT									
<b>CC</b>	010A				<b>USABLE AT 208V</b>					N/A
<b>DE</b>	6206				<b>ODE</b>	6205				
<b>ENCL</b>	TEFC		<b>SN</b>							
<b>VPWM INVERTER READY</b>										
CT6-60H(10:1)VT3-60H(20:1)										

**AC Induction Motor Performance Data**

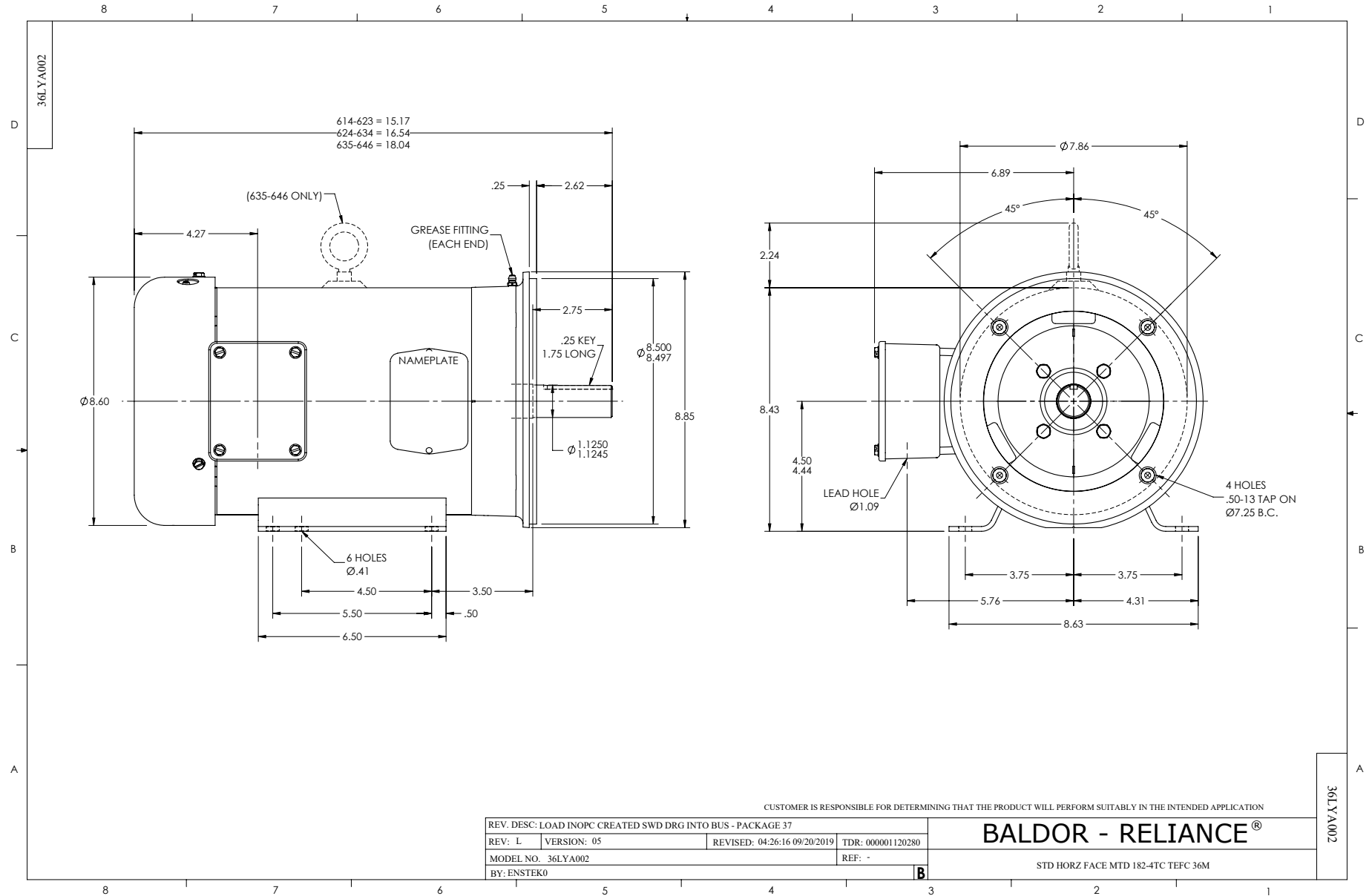
Record # 31109

Typical performance - not guaranteed values

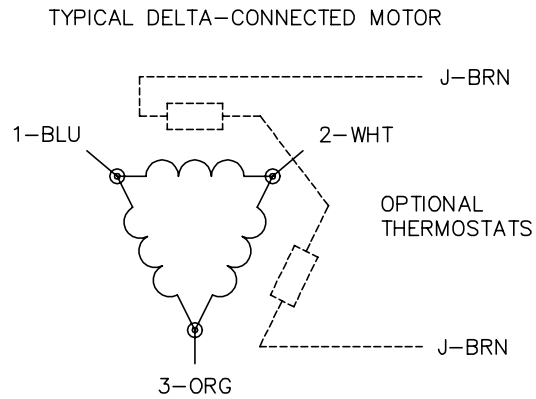
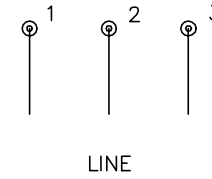
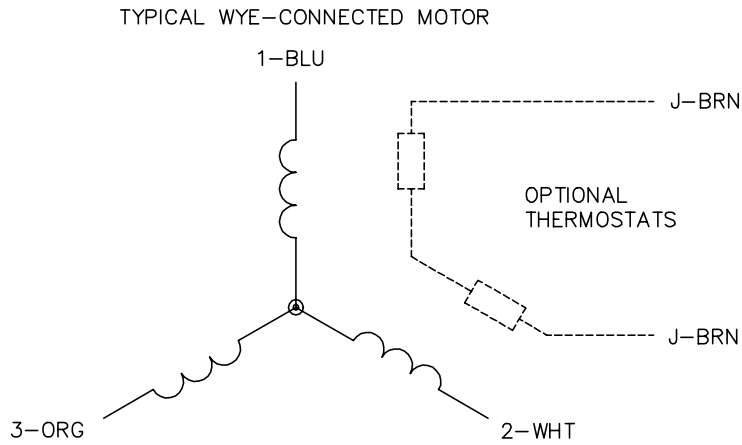
Winding: 36WGS505-R001		Type: 3630M	Enclosure: TEFC	
<b>Nameplate Data</b>			<b>575 V, 60 Hz: Single Voltage Motor</b>	
Rated Output (HP)	5	Full Load Torque	7.64 LB-FT	
Volts	575	Start Configuration	direct on line	
Full Load Amps	4.7	Breakdown Torque	33.7 LB-FT	
R.P.M.	3450	Pull-up Torque	23.5 LB-FT	
Hz	60 Phase	Locked-rotor Torque	27.5 LB-FT	
NEMA Design Code	A KVA Code	Starting Current	45.7 A	
Service Factor (S.F.)	1.15	No-load Current	1.34 A	
NEMA Nom. Eff.	88.5 Power Factor	Line-line Res. @ 25°C	3.57 Ω	
Rating - Duty	40C AMB-CONT	Temp. Rise @ Rated Load	72°C	
S.F. Amps		Temp. Rise @ S.F. Load	88°C	
		Locked-rotor Power Factor	45	
		Rotor inertia	0.134 LB-FT <sup>2</sup>	

**Load Characteristics 575 V, 60 Hz, 5 HP**

% of Rated Load	25	50	75	100	125	150	S.F.
Power Factor	63	81	88	91	93	93	92
Efficiency	83.2	88.4	89.1	88.5	87	85.7	87.5
Speed	3569	3537	3504	3466	3428	3385	3443
Line amperes	1.79	2.61	3.58	4.68	5.81	7.05	5.36



CD0006



NOTES:

1. THREE LEAD MOTOR MAY BE EITHER WYE CONNECTED OR DELTA CONNECTED.
2. INTERCHANGE ANY TWO LINE LEADS TO REVERSE ROTATION.
3. OPTIONAL THERMOSTATS ARE PROVIDED WHEN SPECIFIED.
4. ACTUAL NUMBER OF INTERNAL PARALLEL CIRCUITS MAY VARY.
5. LEAD COLORS ARE OPTIONAL. LEADS MUST BE NUMBERED AS SHOWN.

CD0006

REV. DESC: ADD CLASS CONN00000007		
REV. LTR: E	VERSION: 01	TDR: 000001099922
FILE: \AAA\00005\141	REVISED: 10:24:49 02/19/2019	BY: ENBRIRO
MTL: -		

**BALDOR - RELIANCE®**

3PH, SV, 3 LEADS, WYE OR DELTA CONNECTED

SH 1 of 1