

BALDOR® • RELIANCE 

Product Information Packet

CEM3663T-5

5HP,3480RPM,3PH,60HZ,184TC,0628M,TEFC,F1

Part Detail							
Revision:	F	Status:	PRD/A	Change #:		Proprietary:	No
Type:	AC	Elec. Spec:	06WGX787	CD Diagram:	CD0006	Mfg Plant:	
Mech. Spec:	06F057	Layout:	06LYF057	Poles:	02	Created Date:	05-08-2015
Base:	RG	Eff. Date:	04-26-2017	Leads:	3#16		

Specs			
Catalog Number:	CEM3663T-5	Insulation Class:	F
Enclosure:	TEFC	Inverter Code:	Not Inverter
Frame:	184TC	KVA Code:	L
Frame Material:	Iron	Lifting Lugs:	Standard Lifting Lugs
Motor Letter Type:	Three Phase	Locked Bearing Indicator:	Locked Bearing
Output @ Frequency:	5.000 HP @ 60 HZ	Motor Lead Quantity/Wire Size:	3 @ 16 AWG
Synchronous Speed @ Frequency:	3600 RPM @ 60 HZ	Motor Lead Exit:	Ko Box
Voltage @ Frequency:	575.0 V @ 60 HZ	Motor Lead Termination:	Flying Leads
XP Class and Group:	None	Motor Type:	0628M
XP Division:	Not Applicable	Mounting Arrangement:	F1
Agency Approvals:	NEMA_PREMIUM	Power Factor:	90
	UR	Product Family:	General Purpose
	NEMA PREMIUM	Pulley End Bearing Type:	Ball
	CSA EEV	Pulley Face Code:	C-Face
Auxillary Box:	No Auxillary Box	Pulley Shaft Indicator:	Standard
Auxillary Box Lead Termination:	None	Rodent Screen:	None
Base Indicator:	Rigid	Shaft Extension Location:	Pulley End
Bearing Grease Type:	Polyrex EM (-20F +300F)	Shaft Ground Indicator:	No Shaft Grounding

Blower:	None	Shaft Rotation:	Reversible
Current @ Voltage:	4.700 A @ 575.0 V	Shaft Slinger Indicator:	No Slinger
Design Code:	A	Speed Code:	Single Speed
Drip Cover:	No Drip Cover	Motor Standards:	NEMA
Duty Rating:	CONT	Starting Method:	Direct on line
Electrically Isolated Bearing:	Not Electrically Isolated	Thermal Device - Bearing:	None
Feedback Device:	NO FEEDBACK	Thermal Device - Winding:	None
Front Face Code:	Standard	Vibration Sensor Indicator:	No Vibration Sensor
Front Shaft Indicator:	None	Winding Thermal 1:	None
Heater Indicator:	No Heater	Winding Thermal 2:	None

Nameplate NP3441L										
CAT.NO.	CEM3663T-5									
SPEC.	06F057X787G1									
HP	5									
VOLTS	575									
AMP	4.7									
RPM	3480									
FRAME	184TC				HZ	60			PH	3
SER.F.	1.15		CODE	L	DES	A		CL	F	
NEMA-NOM-EFF	88.5		PF	90						
RATING	40C AMB-CONT									
CC	010A				USABLE AT 208V					N/A
DE	6206				ODE	6205				
ENCL	TEFC		SN							
VPWM INVERTER READY										
CT6-60H(10:1)VT3-60H(20:1)										

AC Induction Motor Performance Data

Record # 50653

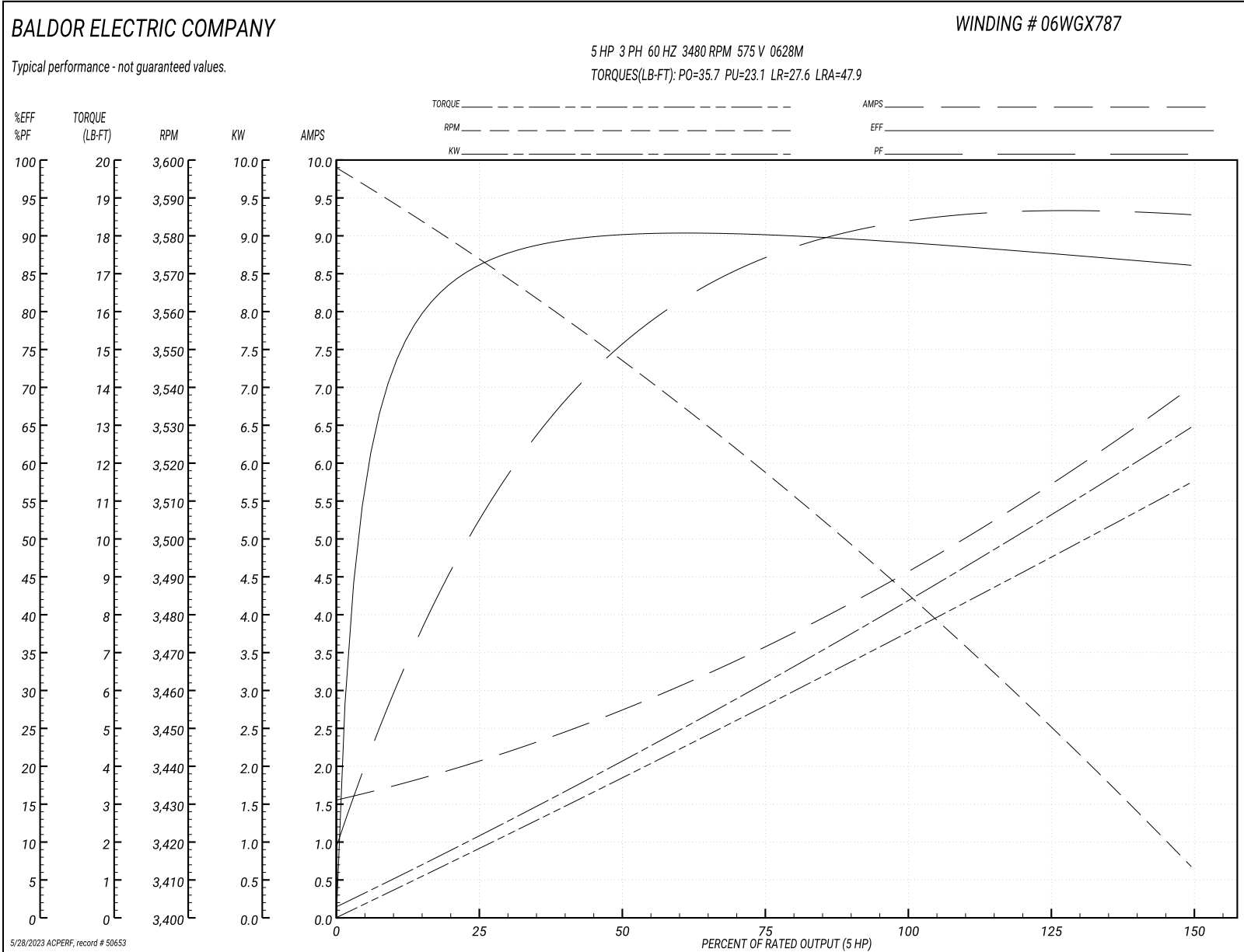
Typical performance - not guaranteed values

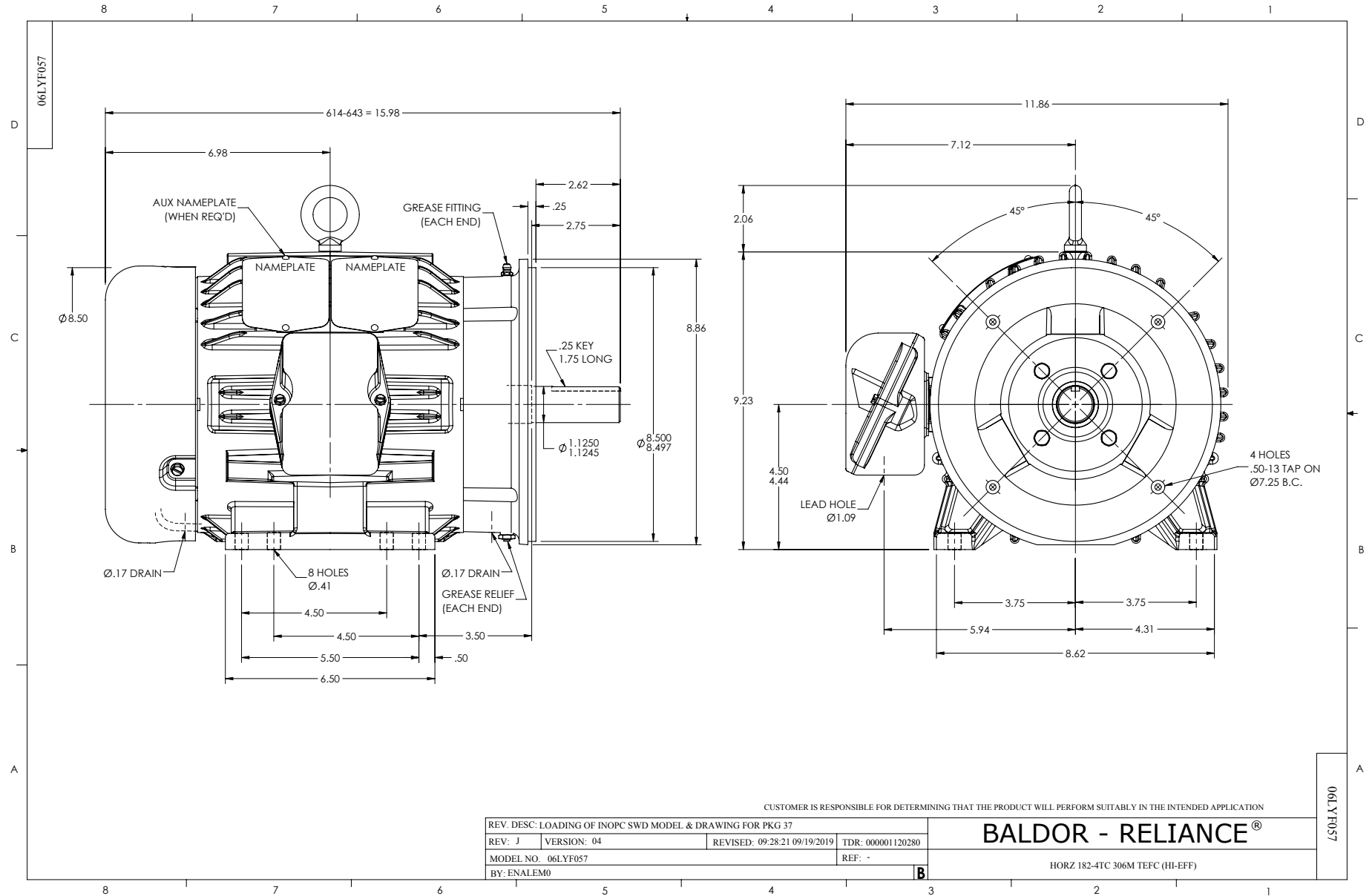
Winding: 06WGX787-R001		Type: 0628M	Enclosure: TEFC	
Nameplate Data			575 V, 60 Hz: Single Voltage Motor	
Rated Output (HP)	5	Full Load Torque	7.55 LB-FT	
Volts	575	Start Configuration	direct on line	
Full Load Amps	4.7	Breakdown Torque	35.7 LB-FT	
R.P.M.	3480	Pull-up Torque	23.1 LB-FT	
Hz	60 Phase	Locked-rotor Torque	27.6 LB-FT	
NEMA Design Code	A KVA Code	Starting Current	47.9 A	
Service Factor (S.F.)	1.15	No-load Current	1.64 A	
NEMA Nom. Eff.	88.5 Power Factor	Line-line Res. @ 25°C	4.4 Ω	
Rating - Duty	40C AMB-CONT	Temp. Rise @ Rated Load	57°C	
S.F. Amps		Temp. Rise @ S.F. Load	70°C	
		Locked-rotor Power Factor	51.1	
		Rotor inertia	0.125 LB-FT ²	

Load Characteristics 575 V, 60 Hz, 5 HP

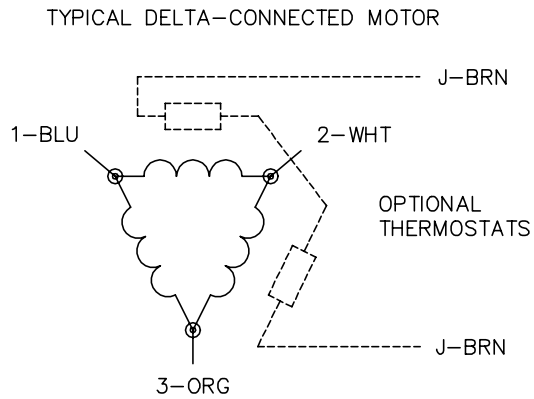
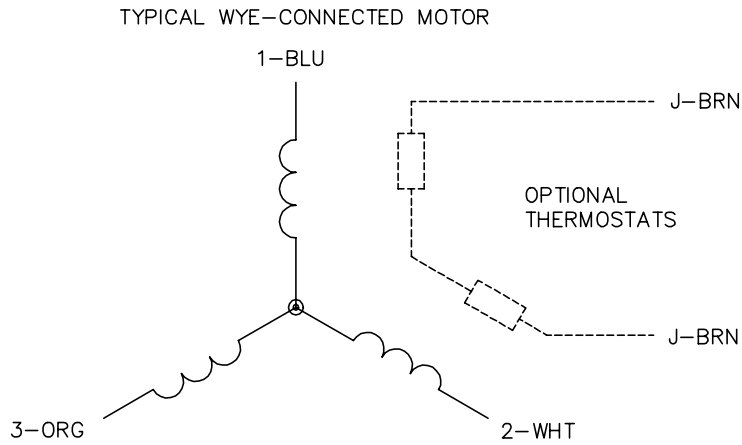
% of Rated Load	25	50	75	100	125	150	S.F.
Power Factor	56	77	86	91	93	94	92
Efficiency	85.6	89.8	90.2	89.3	87.8	86	88.4
Speed	3574	3547	3517	3485	3452	3413	3465
Line amperes	1.96	2.68	3.62	4.64	5.74	6.95	5.3

Performance Graph at 575V, 60Hz, 5.0HP Typical performance - Not guaranteed values





CD0006



NOTES:

1. THREE LEAD MOTOR MAY BE EITHER WYE CONNECTED OR DELTA CONNECTED.
2. INTERCHANGE ANY TWO LINE LEADS TO REVERSE ROTATION.
3. OPTIONAL THERMOSTATS ARE PROVIDED WHEN SPECIFIED.
4. ACTUAL NUMBER OF INTERNAL PARALLEL CIRCUITS MAY VARY.
5. LEAD COLORS ARE OPTIONAL. LEADS MUST BE NUMBERED AS SHOWN.

CD0006

REV. DESC: ADD CLASS CONN00000007		
REV. LTR: E	VERSION: 01	TDR: 000001099922
FILE: \AAA\00005\141	REVISED: 10:24:49 02/19/2019	BY: ENBRIRO
MTL: -	© □	

BALDOR - RELIANCE®

3PH, SV, 3 LEADS, WYE OR DELTA CONNECTED

SH 1 of 1