

BALDOR® • RELIANCE 

Product Information Packet

CL3619TM

3HP, 1725RPM, 1PH, 60HZ, 184TC, 3634LC, TEFC

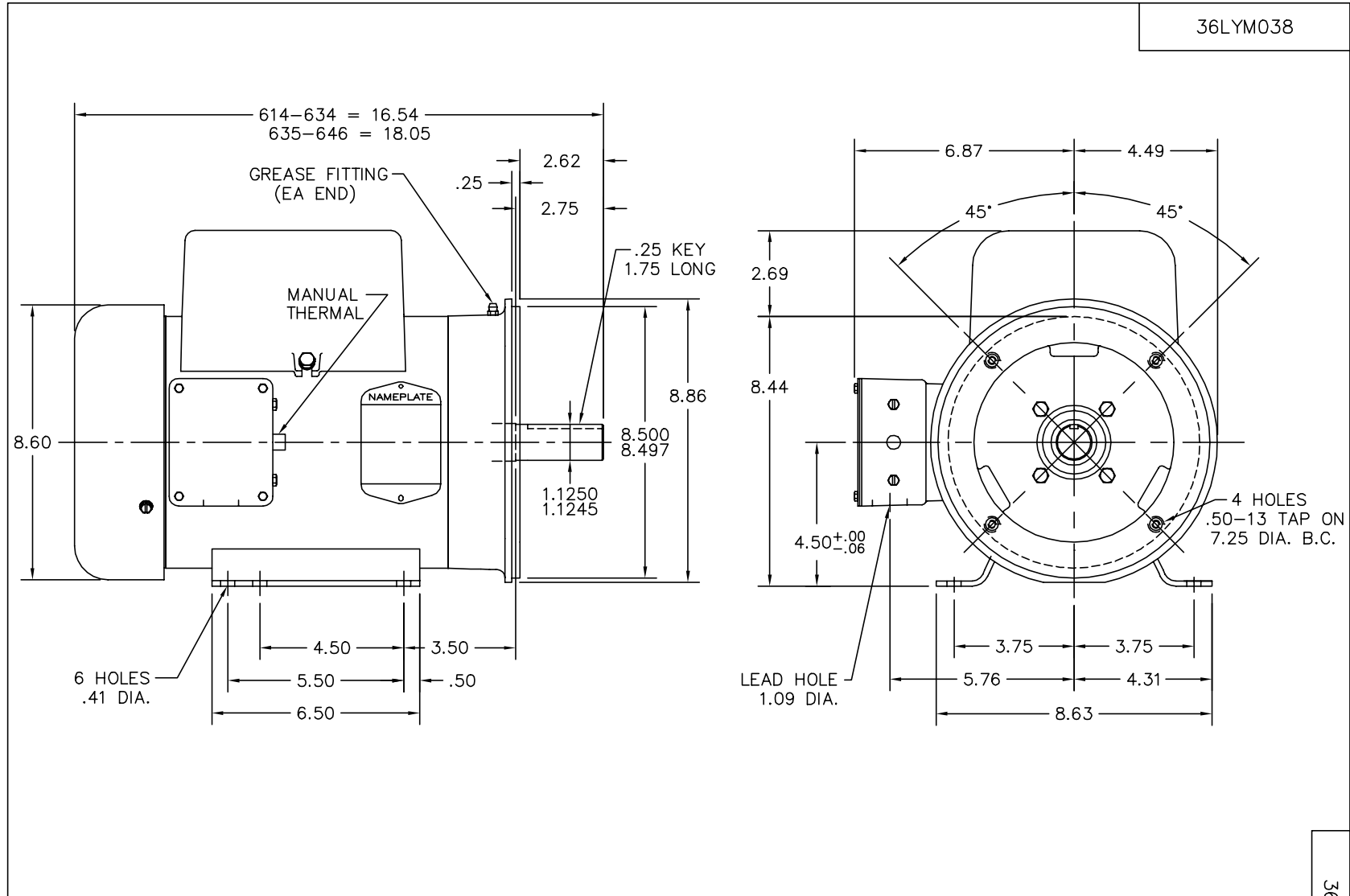
Part Detail							
Revision:	AG	Status:	PRD/A	Change #:		Proprietary:	No
Type:	AC	Elec. Spec:	36WG835	CD Diagram:	CD0002A02	Mfg Plant:	
Mech. Spec:	36M038	Layout:	36LYM038	Poles:	04	Created Date:	
Base:	RG	Eff. Date:	05-16-2022	Leads:	2#14 A PH,3#16 B&J		

Specs			
Catalog Number:	CL3619TM	Insulation Class:	F
Enclosure:	TEFC	Inverter Code:	Not Inverter
Frame:	184TC	KVA Code:	H
Frame Material:	Steel	Lifting Lugs:	No Lifting Lugs
Motor Letter Type:	Cap Start, Cap Run	Locked Bearing Indicator:	Locked Bearing
Output @ Frequency:	3.000 HP @ 60 HZ	Motor Lead Quantity/Wire Size:	2 @ 14 AWG, A PH
Synchronous Speed @ Frequency:	1800 RPM @ 60 HZ	Motor Lead Exit:	Ko Box
Voltage @ Frequency:	208.0 V @ 60 HZ	Motor Lead Termination:	Flying Leads
	230.0 V @ 60 HZ	Motor Type:	3634LC
XP Class and Group:	None	Mounting Arrangement:	F1
XP Division:	Not Applicable	Power Factor:	90
Agency Approvals:	UR	Product Family:	General Purpose
	CSA	Pulley End Bearing Type:	Ball
Auxillary Box:	No Auxillary Box	Pulley Face Code:	C-Face
Auxillary Box Lead Termination:	None	Pulley Shaft Indicator:	Standard
Base Indicator:	Rigid	Rodent Screen:	None
Bearing Grease Type:	Polyrex EM (-20F +300F)	Shaft Extension Location:	Pulley End
Blower:	None	Shaft Ground Indicator:	No Shaft Grounding

Current @ Voltage:	13.200 A @ 230.0 V	Shaft Rotation:	Reversible
	13.800 A @ 208.0 V	Shaft Slinger Indicator:	No Slinger
Design Code:	L	Speed Code:	Single Speed
Drip Cover:	No Drip Cover	Motor Standards:	NEMA
Duty Rating:	CONT	Starting Method:	Direct on line
Electrically Isolated Bearing:	Not Electrically Isolated	Thermal Device - Bearing:	None
Feedback Device:	NO FEEDBACK	Thermal Device - Winding:	Do Not Use
Front Face Code:	Standard	Vibration Sensor Indicator:	No Vibration Sensor
Front Shaft Indicator:	None	Winding Thermal 1:	Manual Thermal Overload
Heater Indicator:	No Heater	Winding Thermal 1 Location:	KO
		Winding Thermal 2:	None

Nameplate NP1257L	
CAT.NO.	CL3619TM
SPEC.	36M38W835
HP	3
VOLTS	208-230
AMP	13.8-13.2
RPM	1725
FRAME	184TC
HZ	60
PH	1
SER.F.	1.00
CODE	H
DES	L
CL	F
NEMA-NOM-EFF	81.5
PF	90
RATING	40C AMB-CONT
CC	USABLE AT 208V N/A
DE	6206
ODE	6205
ENCL	TEFC
SN	

No performance data has been
assigned to this product.



CUSTOMER IS RESPONSIBLE FOR DETERMINING THAT MOTOR PERFORMANCE IS SUITABLE IN THE APPLICATION.

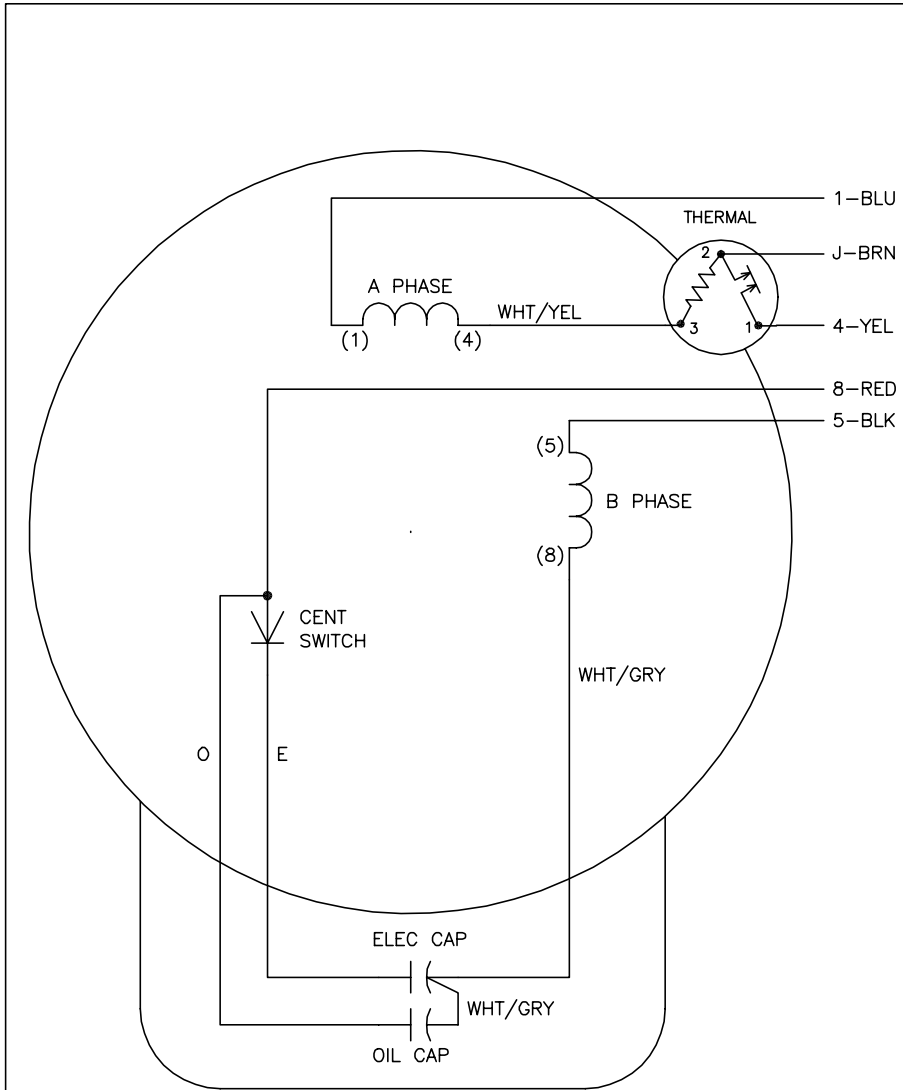
REV. DESC: 36EP3104A01 WAS 36EP3101A01, 36FH4009A102 WAS A03		
REV. LTR: J	VERSION: 01	TDR: 000000381957
36LYM038	FILE: \AAA\00014\376	REVISED: 09:42:50 12/02/2005
	MTL: -	BY: ENCHRC0

BALDOR ELECTRIC Co.

STD HORZ 36LC 182-4TC TEFC 36LC W/1.25 MTO

36LYM038

CD0002A02



	LINE A	LINE B	JOIN
STD	1,8	4	J,5
OPP	1,5	4	J,8

NOTES:

1. STANDARD ROTATION IS CCW FACING END OPPOSITE SHAFT EXTENSION.
2. MULTIPLE CAPACITORS ARE CONNECTED IN PARALLEL UNLESS OTHERWISE SPECIFIED.
3. LEAD COLORS ARE OPTIONAL. LEADS MUST ALWAYS BE NUMBERED AS SHOWN.

REV. DESC: REMOVE 2-TERMINAL THERMAL DETAIL, SEE CD0002A04		
REV. LTR: D	VERSION: 01	TDR: 000000360649
Z0VZ00000 CD0002A02	FILE: \AAA\00007\520	REVISED: 17:11:40 04/15/2005
	MTL: -	BY: ENJOEPO

BALDOR ELECTRIC Co.

TYPE LC, SV, REV, THERMAL, 5 LEADS

CD0002A02