

BALDOR® • RELIANCE 

Product Information Packet

CSSEWDM3546T-5

1HP, 1760RPM, 3PH, 60HZ, 143TC, 3524M, TENV, F1

Part Detail							
Revision:	P	Status:	INA/A	Change #:		Proprietary:	No
Type:	AC	Elec. Spec:	35WGP949	CD Diagram:	CD0006	Mfg Plant:	
Mech. Spec:	35Z200	Layout:	35LYZ200	Poles:	04	Created Date:	01-03-2013
Base:	RG	Eff. Date:	03-19-2018	Leads:	3#18		

Specs			
Catalog Number:	CSSEWDM3546T-5	Inverter Code:	Inverter Ready
Enclosure:	TENV	KVA Code:	N
Frame:	143TC	Lifting Lugs:	No Lifting Lugs
Frame Material:	Stainless Steel	Locked Bearing Indicator:	Locked Bearing
Motor Letter Type:	Three Phase	Motor Lead Quantity/Wire Size:	3 @ 18 AWG
Output @ Frequency:	1.000 HP @ 60 HZ	Motor Lead Exit:	Ko Box
Synchronous Speed @ Frequency:	1800 RPM @ 60 HZ	Motor Lead Termination:	Flying Leads
Voltage @ Frequency:	575.0 V @ 60 HZ	Motor Type:	3524M
XP Class and Group:	None	Mounting Arrangement:	F1
XP Division:	Not Applicable	Power Factor:	72
Agency Approvals:	CSA	Product Family:	Washdown All Stainless
	NEMA PREMIUM	Pulley End Bearing Type:	Sealed Bearing
	UR	Pulley Face Code:	C-Face
Auxillary Box:	No Auxillary Box	Pulley Shaft Indicator:	Standard
Auxillary Box Lead Termination:	None	Rodent Screen:	None
Base Indicator:	Rigid	RoHS Status:	ROHS COMPLIANT
Bearing Grease Type:	Polyrex EM (-20F +300F)	Shaft Extension Location:	Pulley End
Blower:	None	Shaft Ground Indicator:	No Shaft Grounding

Current @ Voltage:	1.200 A @ 575.0 V	Shaft Rotation:	Reversible
Design Code:	B	Shaft Slinger Indicator:	No Slinger
Drip Cover:	No Drip Cover	Speed Code:	Single Speed
Duty Rating:	CONT	Motor Standards:	NEMA
Electrically Isolated Bearing:	Not Electrically Isolated	Starting Method:	Direct on line
Feedback Device:	NO FEEDBACK	Thermal Device - Bearing:	None
Front Face Code:	Standard	Thermal Device - Winding:	None
Front Shaft Indicator:	None	Vibration Sensor Indicator:	No Vibration Sensor
Heater Indicator:	No Heater	Winding Thermal 1:	None
Insulation Class:	H	Winding Thermal 2:	None

Nameplate NP1953A05										
CAT.NO.	CSSEWDM3546T-5									
SPEC.	35Z200P949G2									
HP	1									
VOLTS	575									
AMP	1.2									
RPM	1760									
FRAME	143TC				HZ	60			PH	3
SER.F.	1.15		CODE	N	DES	B		CLASS	H	
NEMA-NOM-EFF	87.5			PF	72					
RATING	40C AMB-CONT									
CC	010A				USABLE AT 208V	N/A				
DE	6205			ODE	6205					
ENCL	TENV	SN								

AC Induction Motor Performance Data

Record # 50345

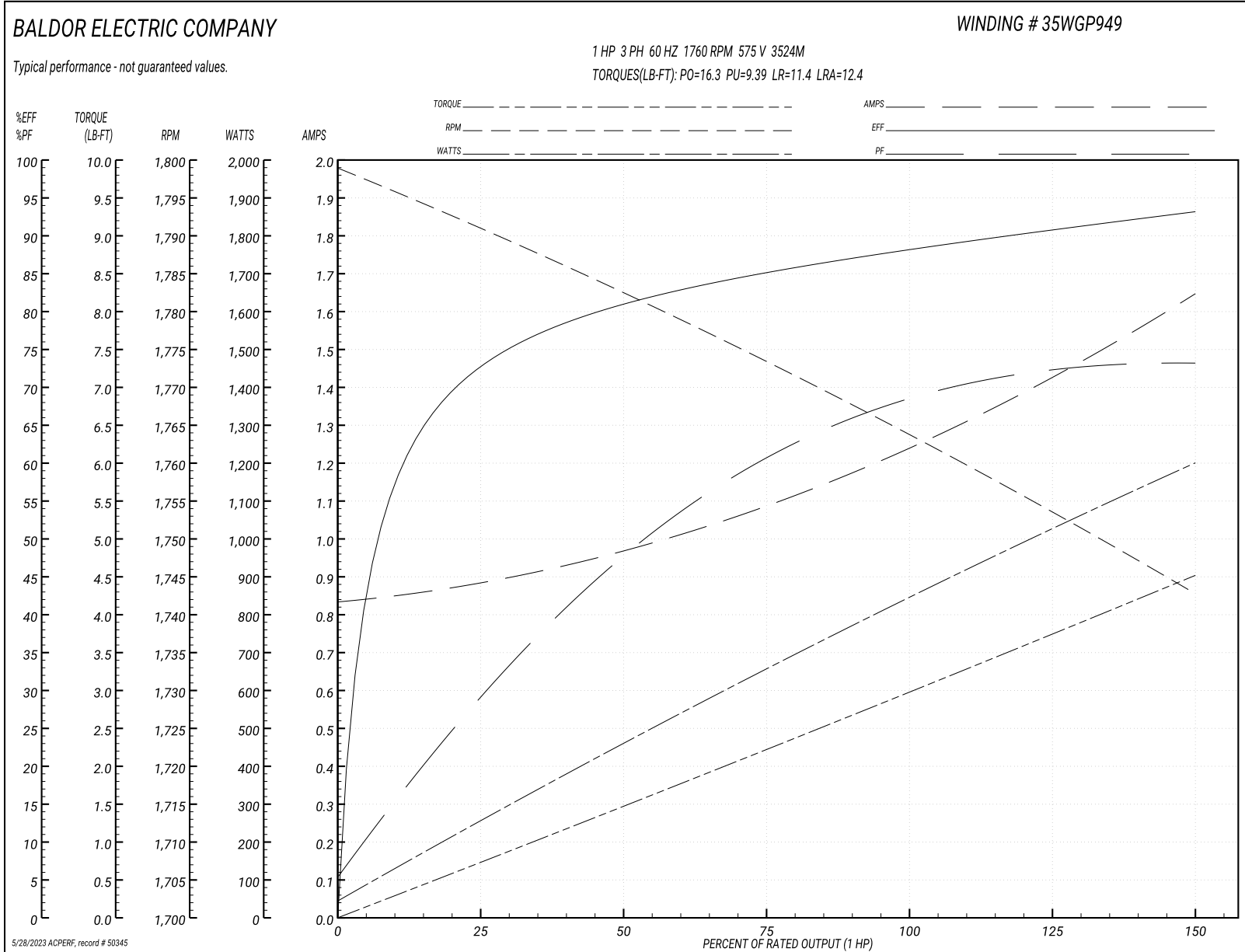
Typical performance - not guaranteed values

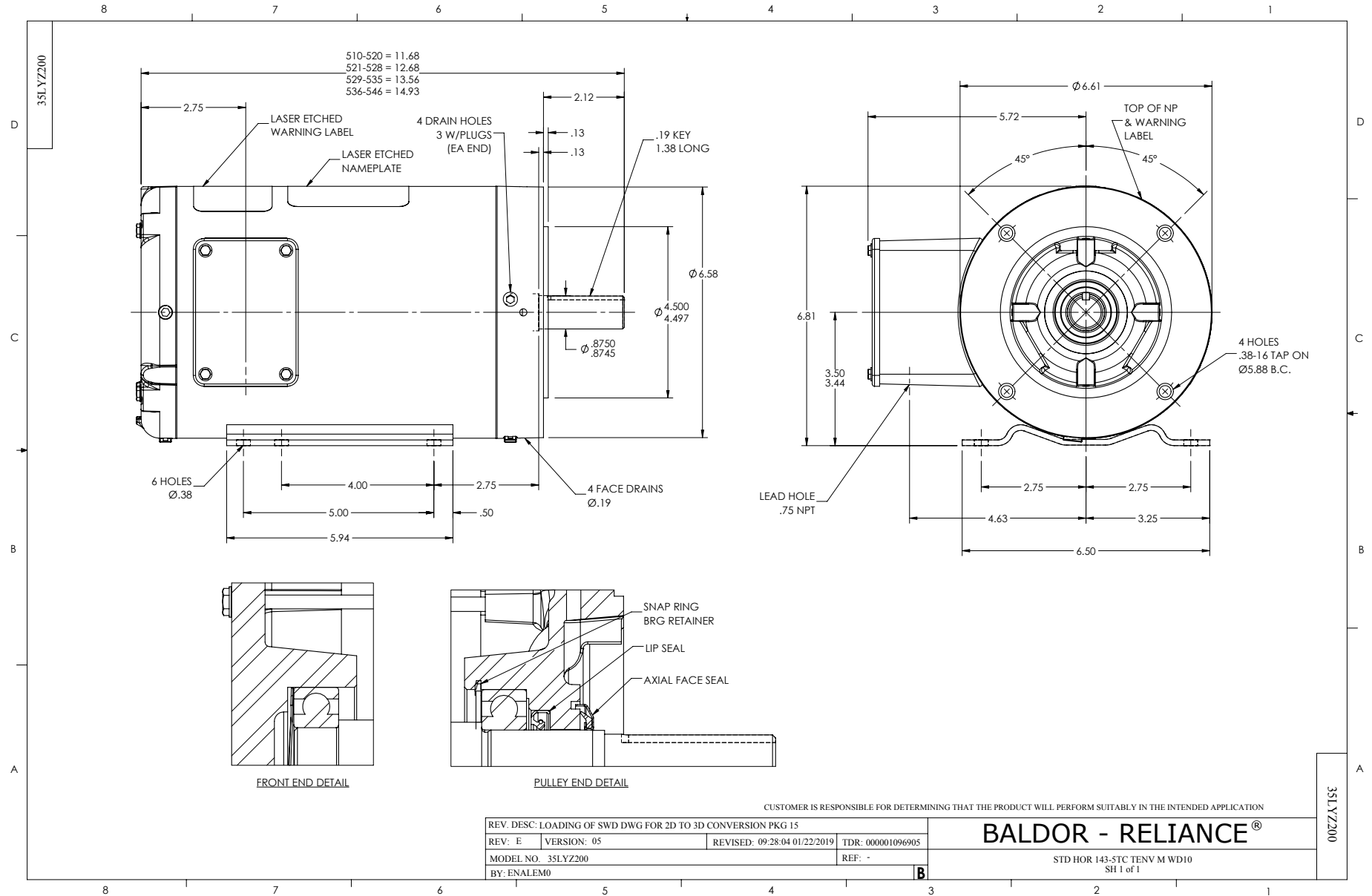
Winding: 35WGP949-R001		Type: 3524M		Enclosure: TENV	
Nameplate Data			575 V, 60 Hz: Single Voltage Motor		
Rated Output (HP)	1	Full Load Torque	2.98 LB-FT		
Volts	575	Start Configuration	direct on line		
Full Load Amps	1.2	Breakdown Torque	16.3 LB-FT		
R.P.M.	1760	Pull-up Torque	9.39 LB-FT		
Hz	60 Phase	Locked-rotor Torque	11.4 LB-FT		
NEMA Design Code	B KVA Code	Starting Current	12.4 A		
Service Factor (S.F.)	1.15	No-load Current	0.843 A		
NEMA Nom. Eff.	87.5 Power Factor	Line-line Res. @ 25°C	17.4 Ω		
Rating - Duty	40C AMB-CONT	Temp. Rise @ Rated Load	68°C		
S.F. Amps		Temp. Rise @ S.F. Load	79°C		
		Locked-rotor Power Factor	49.5		
		Rotor inertia	0.142 LB-FT ²		

Load Characteristics 575 V, 60 Hz, 1 HP

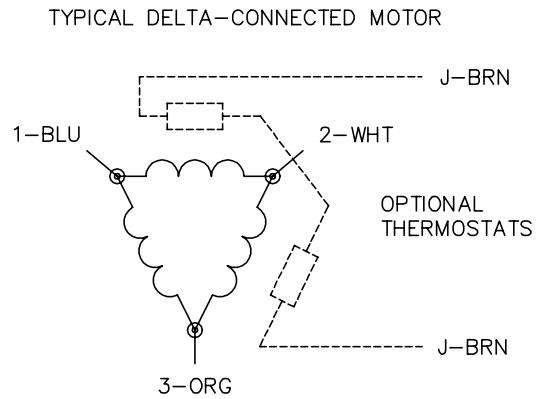
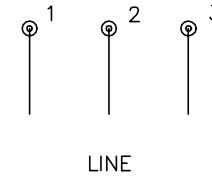
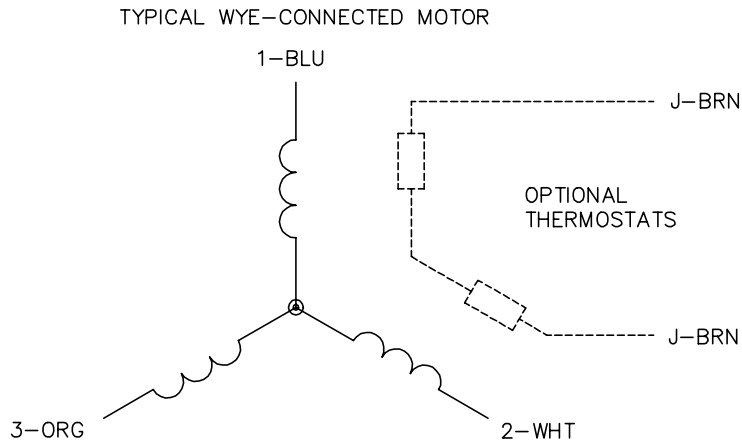
% of Rated Load	25	50	75	100	125	150	S.F.
Power Factor	29	47	59	69	75	72	75
Efficiency	75.3	83.8	86.9	87.3	87.2	95.4	87.3
Speed	1791	1782	1774	1764	1753	1743	1758
Line amperes	0.875	0.957	1.09	1.25	1.43	1.64	1.3

Performance Graph at 575V, 60Hz, 1.0HP Typical performance - Not guaranteed values





CD0006



NOTES:

1. THREE LEAD MOTOR MAY BE EITHER WYE CONNECTED OR DELTA CONNECTED.
2. INTERCHANGE ANY TWO LINE LEADS TO REVERSE ROTATION.
3. OPTIONAL THERMOSTATS ARE PROVIDED WHEN SPECIFIED.
4. ACTUAL NUMBER OF INTERNAL PARALLEL CIRCUITS MAY VARY.
5. LEAD COLORS ARE OPTIONAL. LEADS MUST BE NUMBERED AS SHOWN.

CD0006

REV. DESC: ADD CLASS CONN00000007		
REV. LTR: E	VERSION: 01	TDR: 000001099922
FILE: \AAA\00005\141	REVISED: 10:24:49 02/19/2019	BY: ENBRIRO
MTL: -	© □	

BALDOR - RELIANCE®

3PH, SV, 3 LEADS, WYE OR DELTA CONNECTED

SH 1 of 1