

**BALDOR® • RELIANCE** 

**Product Information Packet**

**ECP3584T**

**1.5HP, 1760RPM, 3PH, 60HZ, 145T, 0530M, TEFC, F**

Part Detail							
Revision:	X	Status:	PRD/A	Change #:		Proprietary:	No
Type:	AC	Elec. Spec:	05WGX008	CD Diagram:	CD0005	Mfg Plant:	
Mech. Spec:	05F008	Layout:	05LYF008	Poles:	04	Created Date:	03-06-2008
Base:	RG	Eff. Date:	11-09-2020	Leads:	9#18		

Specs			
Catalog Number:	ECP3584T	Front Shaft Indicator:	None
Product Complexity Level:	Standard	Heater Indicator:	No Heater
Enclosure:	TEFC	Insulation Class:	F
Frame:	145T	Inverter Code:	Inverter Ready
Frame Material:	Iron	KVA Code:	L
Output @ Frequency:	1.500 HP @ 60 HZ	Lifting Lugs:	Standard Lifting Lugs
Synchronous Speed @ Frequency:	1800 RPM @ 60 HZ	Locked Bearing Indicator:	No Locked Bearing
Voltage @ Frequency:	460.0 V @ 60 HZ	Motor Lead Quantity/Wire Size:	9 @ 18 AWG
	230.0 V @ 60 HZ	Motor Lead Exit:	Ko Box
	208.0 V @ 60 HZ	Motor Lead Termination:	Flying Leads
XP Class and Group:	CLI GP A,B,C,D	Motor Type:	0530M
XP Division:	Division II	Mounting Arrangement:	F1
Agency Approvals:	CSA EEV	Power Factor:	76
	UR	Product Family:	Chemical Processing (Not DC)
	CSA	Pulley End Bearing Type:	Ball
	CCSA US	Pulley Face Code:	Standard
Auxillary Box:	No Auxillary Box	Pulley Shaft Indicator:	Standard
Auxillary Box Lead Termination:	None	Rodent Screen:	None

<b>Base Indicator:</b>	Rigid	<b>Shaft Extension Location:</b>	Pulley End
<b>Bearing Grease Type:</b>	Polyrex EM (-20F +300F)	<b>Shaft Ground Indicator:</b>	No Shaft Grounding
<b>Blower:</b>	None	<b>Shaft Rotation:</b>	Reversible
<b>Constant Torque Speed Range:</b>	1.3	<b>Shaft Slinger Indicator:</b>	Shaft Slinger
<b>Current @ Voltage:</b>	4.600 A @ 208.0 V	<b>Speed Code:</b>	Single Speed
	4.200 A @ 230.0 V	<b>Motor Standards:</b>	NEMA
	2.100 A @ 460.0 V	<b>Starting Method:</b>	Direct on line
<b>Design Code:</b>	B	<b>Thermal Device - Bearing:</b>	None
<b>Drip Cover:</b>	No Drip Cover	<b>Thermal Device - Winding:</b>	None
<b>Duty Rating:</b>	CONT	<b>Vibration Sensor Indicator:</b>	No Vibration Sensor
<b>Electrically Isolated Bearing:</b>	Not Electrically Isolated	<b>Winding Thermal 1:</b>	None
<b>Feedback Device:</b>	NO FEEDBACK	<b>Winding Thermal 2:</b>	None
<b>Front Face Code:</b>	Standard	<b>XP Temp Code:</b>	T4

<b>Nameplate NP3258E</b>										
<b>CAT.NO.</b>	ECP3584T									
<b>SPEC.</b>	05F008X008G1									
<b>HP</b>	1.5	TE								
<b>VOLTS</b>	208-230/460									
<b>AMP</b>	4.6-4.2/2.1									
<b>RPM</b>	1760									
<b>FRAME</b>	145T				<b>HZ</b>	60		<b>PH</b>	3	
<b>SER.F.</b>	1.15			<b>CODE</b>	L		<b>DES</b>	B		
<b>RATING</b>	40C AMB-CONT									
<b>SN</b>										
<b>DE</b>	6205				<b>ODE</b>	6205				
<b>NEMA-NOM-EFF</b>	88.5				<b>PF</b>	76				
<b>G.MIN.EFF</b>	88.5				<b>CC</b>	010A				
<b>T. CODE</b>	T4				<b>T=</b>	135				
								<b>CL</b>	F	

<b>Nameplate NP3261E</b>	
<b>SPEC.</b>	05F008X008G1
<b>D.E. BRG.</b>	25BC02XP30X
<b>O.D.E. BRG.</b>	25BC02XP30X
<b>GREASE</b>	POLYREX EM
<b>RPM MAX</b>	2700
	<b>MAX. KVAR</b> N/A
<b>BLANK</b>	
<b>INV. TYPE</b>	PWM
<b>T=</b>	135
<b>C HP FR</b>	60
<b>CT HZ FROM</b>	1.3
<b>VT HZ FROM</b>	0-
<b>HTR-VOLTS</b>	
<b>HTR-WATTS</b>	
<b>C HP TO</b>	90
<b>CT HZ TO</b>	60
<b>VT HZ TO</b>	60
<b>HTR-AMPS</b>	
	<b>MAX. SPACE HEATER TEMP.</b>

**AC Induction Motor Performance Data**

Record # 47108

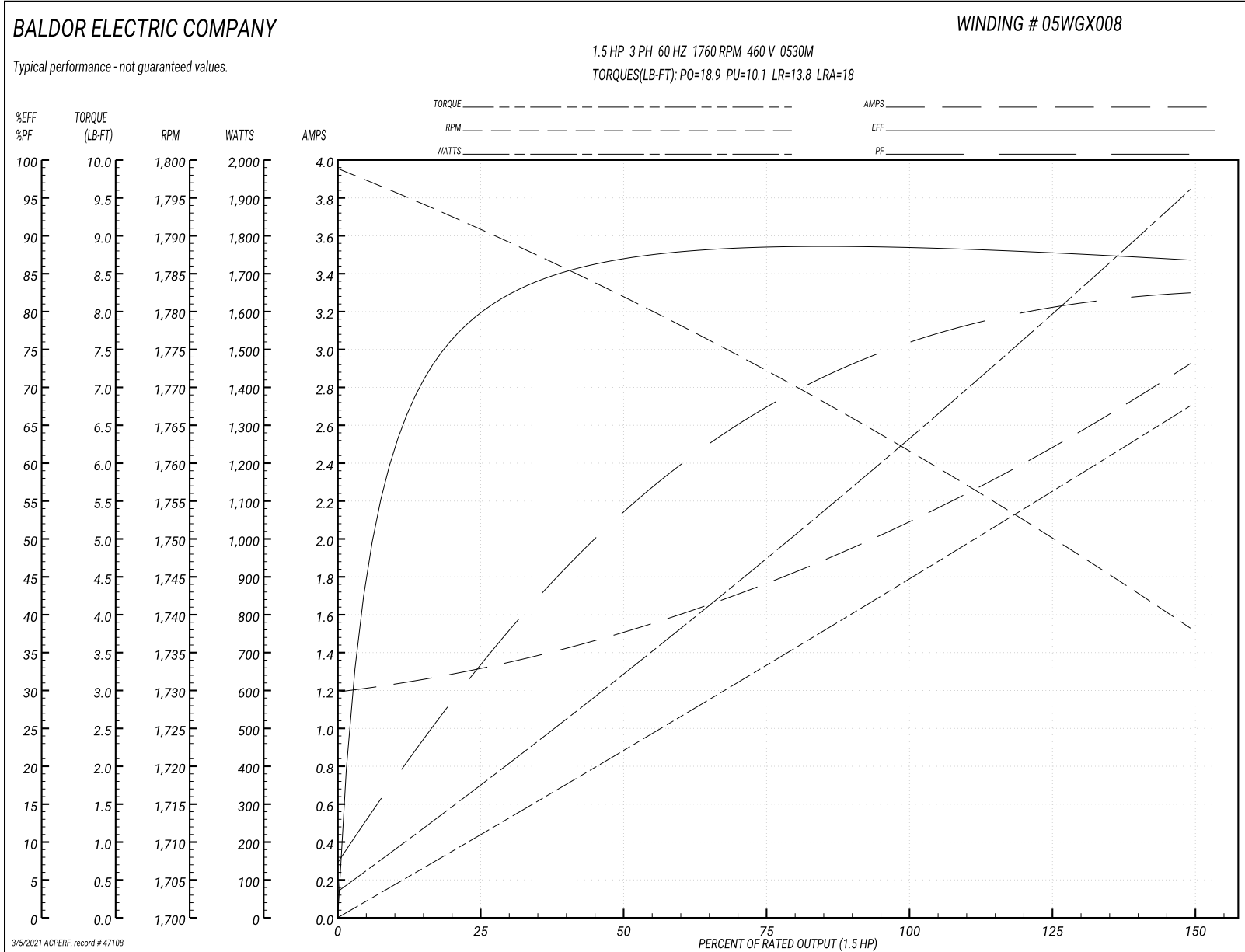
Typical performance - not guaranteed values

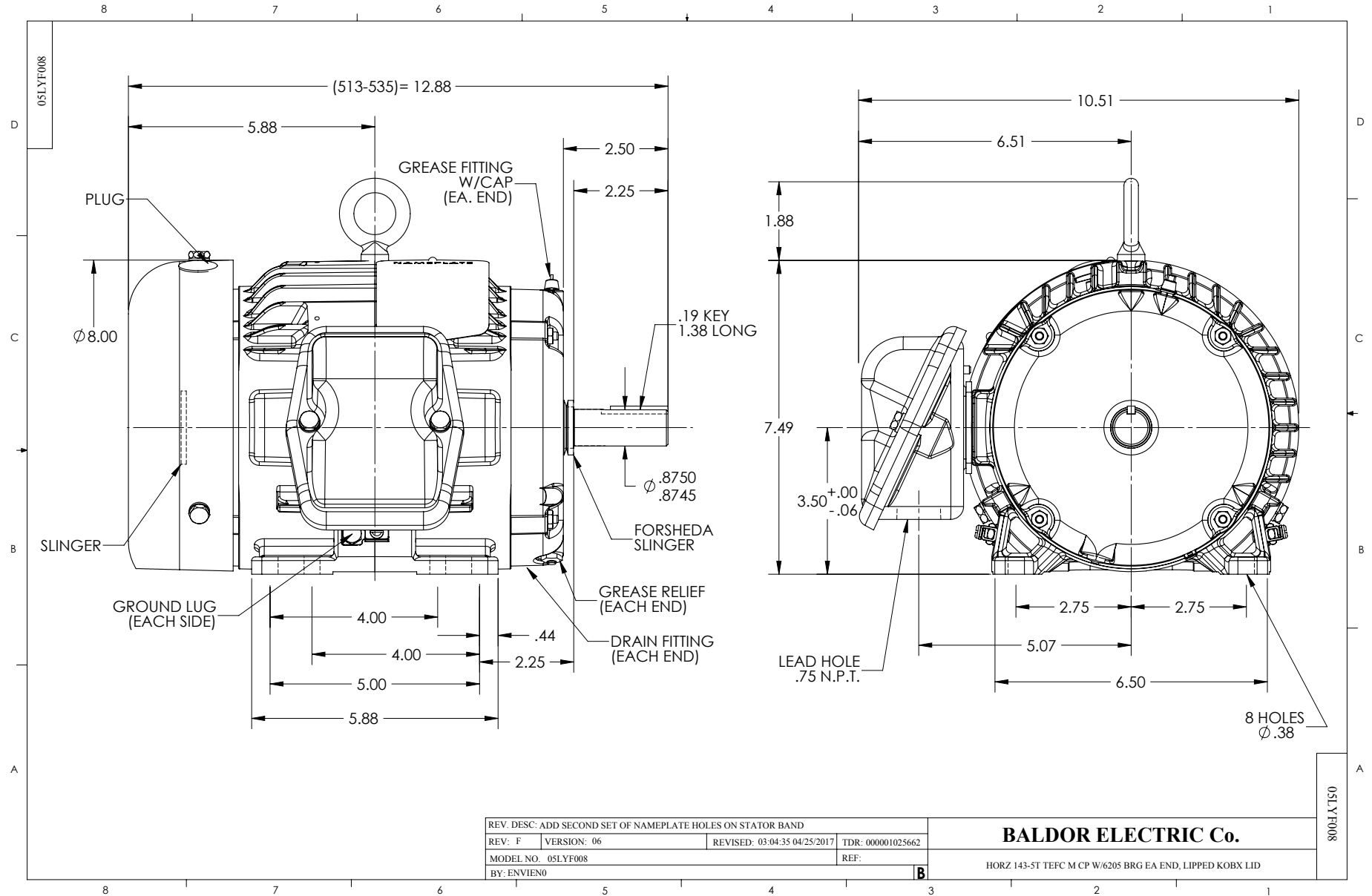
<b>Winding: 05WGX008-R032</b>		<b>Type: 0530M</b>		<b>Enclosure: TEFC</b>	
<b>Nameplate Data</b>			<b>460 V, 60 Hz: High Voltage Connection</b>		
<b>Rated Output (HP)</b>	1.5	<b>Full Load Torque</b>	4.49 LB-FT		
<b>Volts</b>	208-230/460	<b>Start Configuration</b>	direct on line		
<b>Full Load Amps</b>	4.6-4.2/2.1	<b>Breakdown Torque</b>	18.9 LB-FT		
<b>R.P.M.</b>	1760	<b>Pull-up Torque</b>	10.1 LB-FT		
<b>Hz</b>	60 <b>Phase</b>	3	<b>Locked-rotor Torque</b>	13.8 LB-FT	
<b>NEMA Design Code</b>	<b>B KVA Code</b>	L	<b>Starting Current</b>	18 A	
<b>Service Factor (S.F.)</b>	1.15		<b>No-load Current</b>	1.21 A	
<b>NEMA Nom. Eff.</b>	88.5 <b>Power Factor</b>	76	<b>Line-line Res. @ 25°C</b>	9.69 Ω	
<b>Rating - Duty</b>	40C AMB-CONT		<b>Temp. Rise @ Rated Load</b>	30°C	
<b>S.F. Amps</b>			<b>Temp. Rise @ S.F. Load</b>	37°C	

**Load Characteristics 460 V, 60 Hz, 1.5 HP**

<b>% of Rated Load</b>	<b>25</b>	<b>50</b>	<b>75</b>	<b>100</b>	<b>125</b>	<b>150</b>	<b>S.F.</b>
<b>Power Factor</b>	33	54	67	75	80	83	78
<b>Efficiency</b>	78.6	86.5	88.3	89	87.9	86.7	88.3
<b>Speed</b>	1791	1782	1773	1761	1751	1738	1755
<b>Line amperes</b>	1.29	1.49	1.76	2.1	2.49	2.91	2.33

Performance Graph at 460V, 60Hz, 1.5HP Typical performance - Not guaranteed values



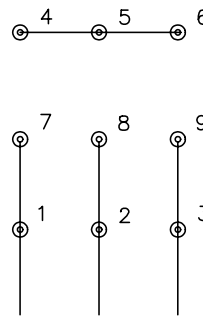




CD0005

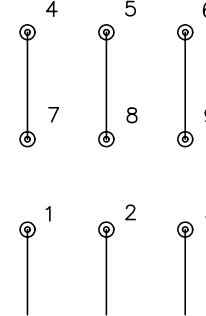


LOW VOLTAGE  
(2Y)



LINE

HIGH VOLTAGE  
(1Y)



LINE

NOTES:

1. INTERCHANGE ANY TWO LINE LEADS TO REVERSE ROTATION.
2. OPTIONAL THERMOSTATS ARE PROVIDED WHEN SPECIFIED.
3. ACTUAL NUMBER OF INTERNAL PARALLEL CIRCUITS MAY BE A MULTIPLE OF THOSE SHOWN ABOVE.
4. LEAD COLORS ARE OPTIONAL. LEADS MUST ALWAYS BE NUMBERED AS SHOWN.

REV. DESC: REVISE TO SHOW OPTIONAL COLORS			
REV. LTR: E	BY: JLP	REVISED: 01/19/99 10:15	TDR: 0171435
90000		FILE: AAA00005140	MDL: -
		MTL: -	

**BALDOR ELECTRIC Co.**

3PH, DV, 9 LEADS

CD0005