

BALDOR[®] • RELIANCE 

Product Information Packet

EFM3311T-8

7.5HP,1770RPM,3PH,60HZ,213T,3734M,OPSB,F

Part Detail							
Revision:	G	Status:	PRD/A	Change #:		Proprietary:	No
Type:	AC	Elec. Spec:	37WGZ613	CD Diagram:	CD0006	Mfg Plant:	
Mech. Spec:	37B106	Layout:	37LYB106	Poles:	04	Created Date:	03-14-2016
Base:	RG	Eff. Date:	07-02-2019	Leads:	3#12		

Specs			
Catalog Number:	EFM3311T-8	Inverter Code:	Inverter Ready
Enclosure:	OPSB	KVA Code:	J
Frame:	213T	Lifting Lugs:	Standard Lifting Lugs
Frame Material:	Steel	Locked Bearing Indicator:	No Locked Bearing
Output @ Frequency:	7.500 HP @ 60 HZ	Motor Lead Quantity/Wire Size:	3 @ 12 AWG
Synchronous Speed @ Frequency:	1800 RPM @ 60 HZ	Motor Lead Exit:	Ko Box
Voltage @ Frequency:	200.0 V @ 60 HZ	Motor Lead Termination:	Flying Leads
XP Class and Group:	None	Motor Type:	3734M
XP Division:	Not Applicable	Mounting Arrangement:	F2
Agency Approvals:	CSA	Power Factor:	77
	CSA EEV	Product Family:	General Purpose
	UR	Pulley End Bearing Type:	Ball
Auxillary Box:	No Auxillary Box	Pulley Face Code:	Standard
Auxillary Box Lead Termination:	None	Pulley Shaft Indicator:	Standard
Base Indicator:	Rigid	Rodent Screen:	None
Bearing Grease Type:	Polyrex EM (-20F +300F)	RoHS Status:	ROHS COMPLIANT
Blower:	None	Shaft Extension Location:	Pulley End
Current @ Voltage:	23.300 A @ 200.0 V	Shaft Ground Indicator:	No Shaft Grounding

Design Code:	A	Shaft Rotation:	Reversible
Drip Cover:	No Drip Cover	Shaft Slinger Indicator:	No Slinger
Duty Rating:	CONT	Speed Code:	Single Speed
Electrically Isolated Bearing:	Not Electrically Isolated	Motor Standards:	NEMA
Feedback Device:	NO FEEDBACK	Starting Method:	Direct on line
Front Face Code:	Standard	Thermal Device - Bearing:	None
Front Shaft Indicator:	None	Thermal Device - Winding:	None
Heater Indicator:	No Heater	Vibration Sensor Indicator:	No Vibration Sensor
Insulation Class:	F	Winding Thermal 1:	None
		Winding Thermal 2:	None

Nameplate NP3553L											
CAT.NO.	EFM3311T-8										
SPEC	37B106Z613G1										
HP	7.5										
VOLTS	200										
AMPS	23.3										
RPM	1770										
FRAME	213T					HZ	60			PH	3
SF	1.15		CODE	J	DES	A		CLASS	F		
NEMA NOM. EFF	91		PF	77							
RATING	40C AMB-CONT										
CC	010A					USABLE AT 208V					
ENCL	OPSB			SER							
DE	6307				ODE	6206					
VPWM INVERTER READY											
CT30-60(2:1) VT3-60(20:1)											

AC Induction Motor Performance Data

Record # 57432

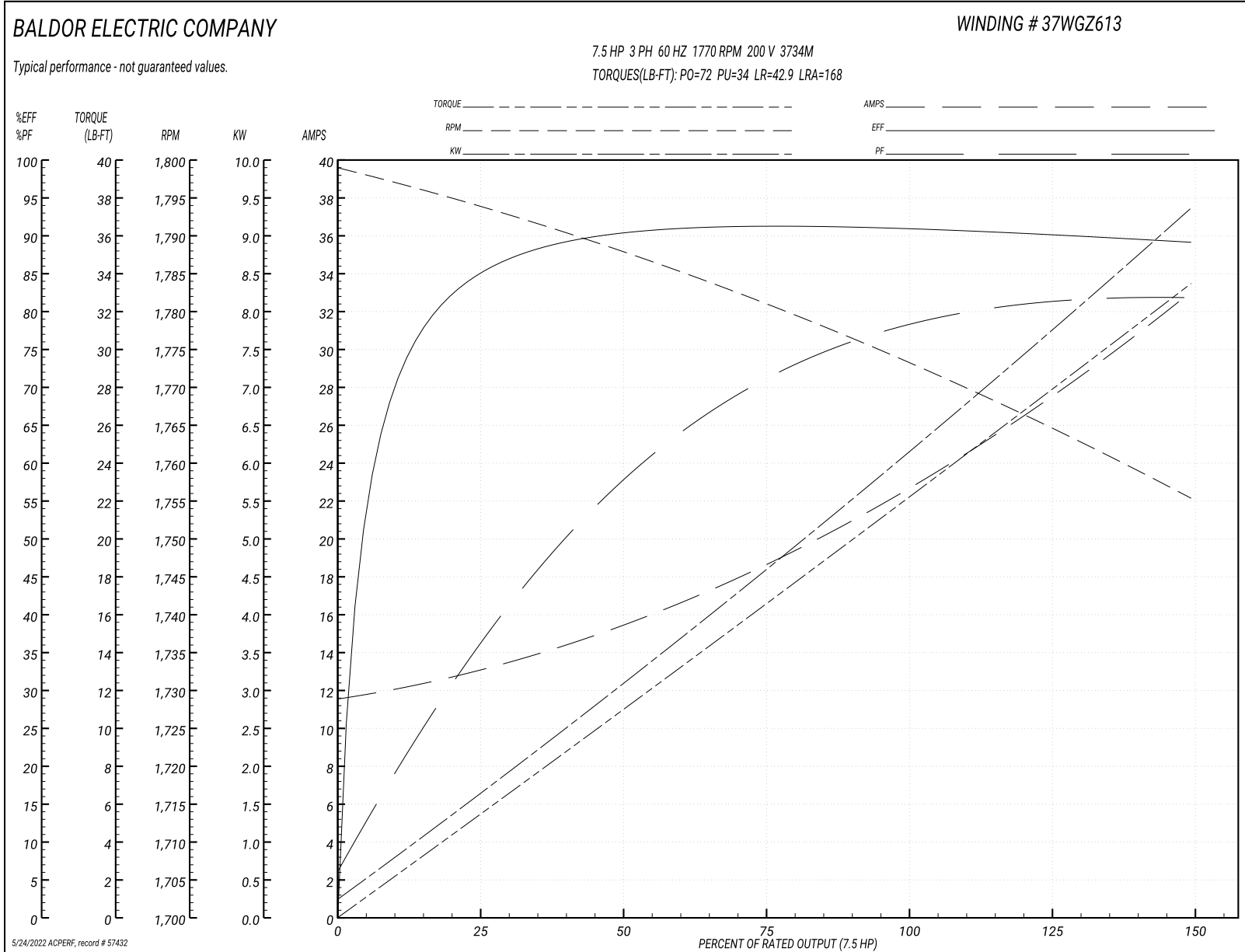
Typical performance - not guaranteed values

Winding: 37WGZ613-R001		Type: 3734M	Enclosure: OPSB
Nameplate Data		200 V, 60 Hz: Single Voltage Motor	
Rated Output (HP)	7.5	Full Load Torque	22.2 LB-FT
Volts	200	Start Configuration	direct on line
Full Load Amps	23.3	Breakdown Torque	72 LB-FT
R.P.M.	1770	Pull-up Torque	34 LB-FT
Hz	60 Phase	Locked-rotor Torque	42.9 LB-FT
NEMA Design Code	A KVA Code	Starting Current	168 A
Service Factor (S.F.)	1.15	No-load Current	11.8 A
NEMA Nom. Eff.	91 Power Factor	Line-line Res. @ 25°C	0.29 Ω
Rating - Duty	40C AMB-CONT	Temp. Rise @ Rated Load	35°C
S.F. Amps		Temp. Rise @ S.F. Load	43°C
		Locked-rotor Power Factor	39.9
		Rotor inertia	0.836 LB-FT ²

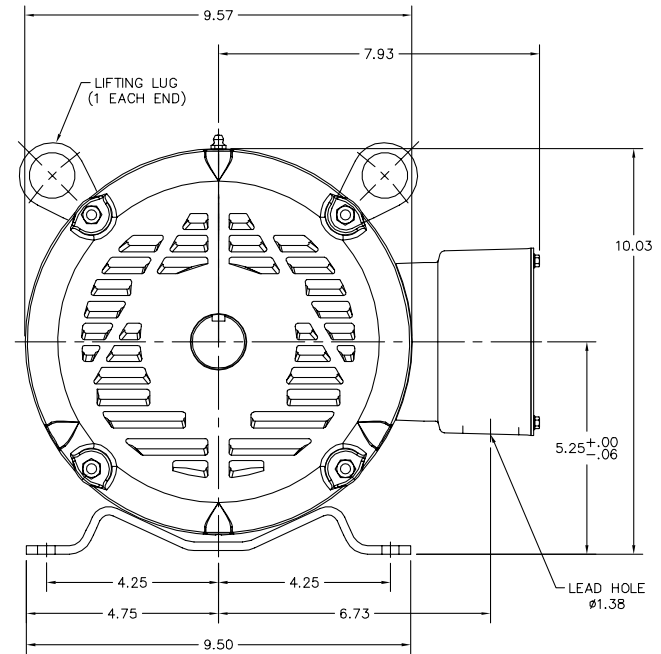
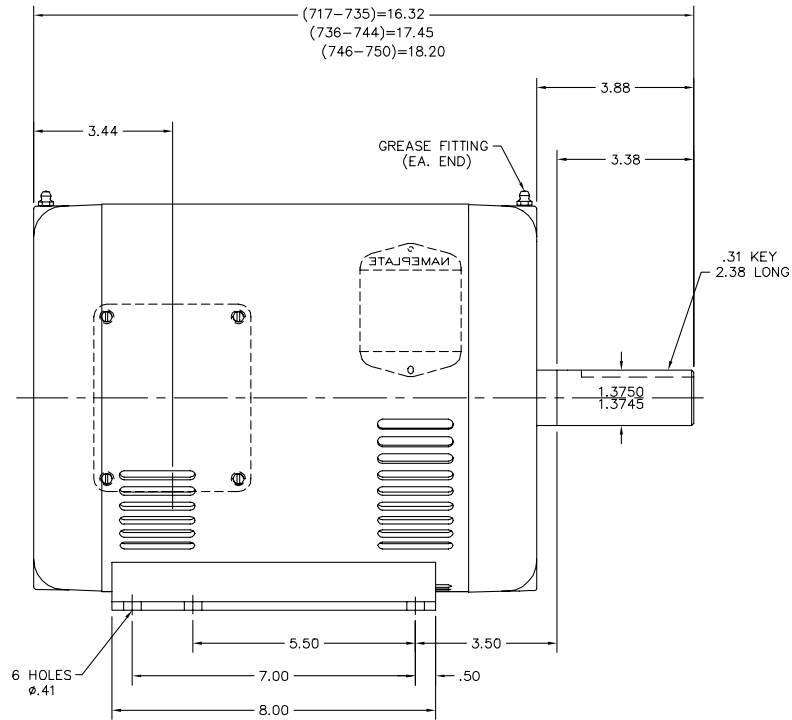
Load Characteristics 200 V, 60 Hz, 7.5 HP

% of Rated Load	25	50	75	100	125	150	S.F.
Power Factor	38	59	71	77	81	82	79
Efficiency	84.6	90.2	91.1	91.1	90.5	89	90.7
Speed	1794	1788	1780	1774	1765	1755	1769
Line amperes	12.8	15.2	18.8	22.9	27.6	32.9	25.7

Performance Graph at 200V, 60Hz, 7.5HP Typical performance - Not guaranteed values



37LYB106



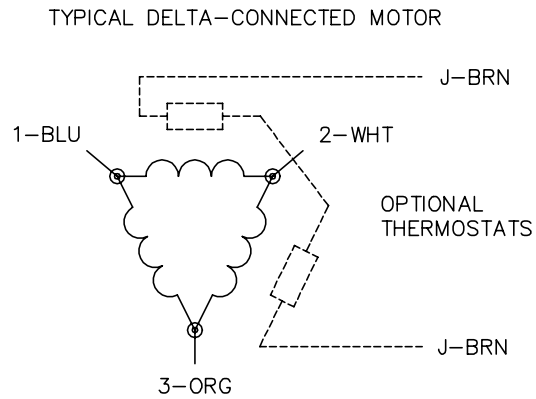
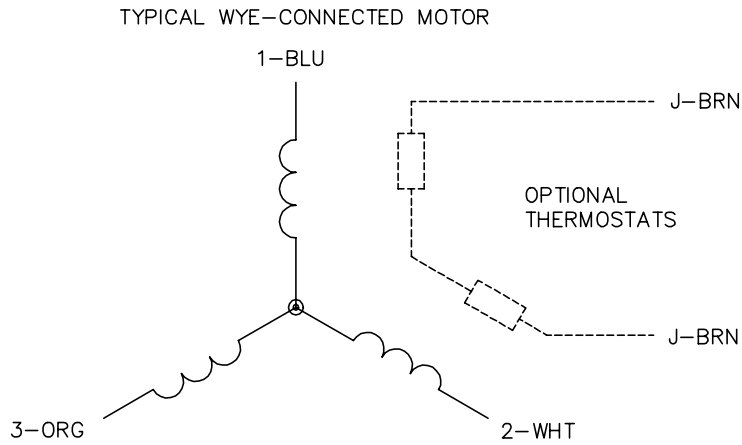
37LYB106

CUSTOMER IS RESPONSIBLE FOR DETERMINING THAT BALDOR'S PRODUCT WILL PERFORM SUITABLY IN THE INTENDED APPLICATION.

REV. DESC: REPLACE ENDPLATES		
REV. LTR: G	VERSION: 02	TDR: 000001018975
FILE: \AAA\00009\740	REVISED: 09:05:13 03/07/2017	BY: USZAHAR
MTL: -		

BALDOR
 STD HORZ 213-5T OPSB 37M (F-2 MTG)
 SH 1 of 1

CD0006



NOTES:

1. THREE LEAD MOTOR MAY BE EITHER WYE CONNECTED OR DELTA CONNECTED.
2. INTERCHANGE ANY TWO LINE LEADS TO REVERSE ROTATION.
3. OPTIONAL THERMOSTATS ARE PROVIDED WHEN SPECIFIED.
4. ACTUAL NUMBER OF INTERNAL PARALLEL CIRCUITS MAY VARY.
5. LEAD COLORS ARE OPTIONAL. LEADS MUST BE NUMBERED AS SHOWN.

CD0006

REV. DESC: ADD CLASS CONN00000007		
REV. LTR: E	VERSION: 01	TDR: 000001099922
FILE: \AAA\00005\141	REVISED: 10:24:49 02/19/2019	BY: ENBRIRO
MTL: -	© □	

BALDOR - RELIANCE®

3PH, SV, 3 LEADS, WYE OR DELTA CONNECTED

SH 1 of 1