

BALDOR® • RELIANCE 

Product Information Packet

EHM3218T-8

5HP,1750RPM,3PH,60HZ,184T,3640M,OPSB,F1

Part Detail							
Revision:	-	Status:	PRD/A	Change #:		Proprietary:	No
Type:	AC	Elec. Spec:	36WGQ035	CD Diagram:	CD0006	Mfg Plant:	
Mech. Spec:	36L730	Layout:	36LYL730	Poles:	04	Created Date:	12-10-2020
Base:	RG	Eff. Date:	12-16-2020	Leads:	3#14		

Specs			
Catalog Number:	EHM3218T-8	Inverter Code:	Inverter Ready
Enclosure:	OPSB	KVA Code:	J
Frame:	184T	Lifting Lugs:	No Lifting Lugs
Frame Material:	Steel	Locked Bearing Indicator:	No Locked Bearing
Output @ Frequency:	5.000 HP @ 60 HZ	Motor Lead Quantity/Wire Size:	3 @ 14 AWG
Synchronous Speed @ Frequency:	1800 RPM @ 60 HZ	Motor Lead Exit:	Ko Box
Voltage @ Frequency:	200.0 V @ 60 HZ	Motor Lead Termination:	Flying Leads
XP Class and Group:	None	Motor Type:	3640M
XP Division:	Not Applicable	Mounting Arrangement:	F1
Agency Approvals:	UR	Power Factor:	80
	CSA	Product Family:	General Purpose
Auxillary Box:	No Auxillary Box	Pulley End Bearing Type:	Ball
Auxillary Box Lead Termination:	None	Pulley Face Code:	Standard
Base Indicator:	Rigid	Pulley Shaft Indicator:	Standard
Bearing Grease Type:	Polyrex EM (-20F +300F)	Rodent Screen:	None
Blower:	None	Shaft Extension Location:	Pulley End
Current @ Voltage:	15.200 A @ 200.0 V	Shaft Ground Indicator:	No Shaft Grounding
Design Code:	B	Shaft Rotation:	Reversible

Drip Cover:	No Drip Cover	Shaft Slinger Indicator:	No Slinger
Duty Rating:	CONT	Speed Code:	Single Speed
Electrically Isolated Bearing:	Not Electrically Isolated	Motor Standards:	NEMA
Feedback Device:	NO FEEDBACK	Starting Method:	Direct on line
Front Face Code:	Standard	Thermal Device - Bearing:	None
Front Shaft Indicator:	None	Thermal Device - Winding:	None
Heater Indicator:	No Heater	Vibration Sensor Indicator:	No Vibration Sensor
Insulation Class:	F	Winding Thermal 1:	None
		Winding Thermal 2:	None

Nameplate NP2094E06B03	
CAT.NO.	EHM3218T-8
SPEC.	36L730Q035G1
HP	5
VOLTS	200
AMPS	15.2
RPM	1750
FRAME	184T
	HZ 60
	PH 3
SER.F.	1.15
	CODE J
	DES B
	CL F
NEMA-NOM-EFF	89.5
	PF 80
RATING	40C AMB-CONT
CC	010A
	USABLE AT 208V
DE	6206
	ODE 6205
AUTO	N
	MANUAL N
	NONE Y
ENCL	OPSB
	SN
BLANK	

AC Induction Motor Performance Data

Record # 85776

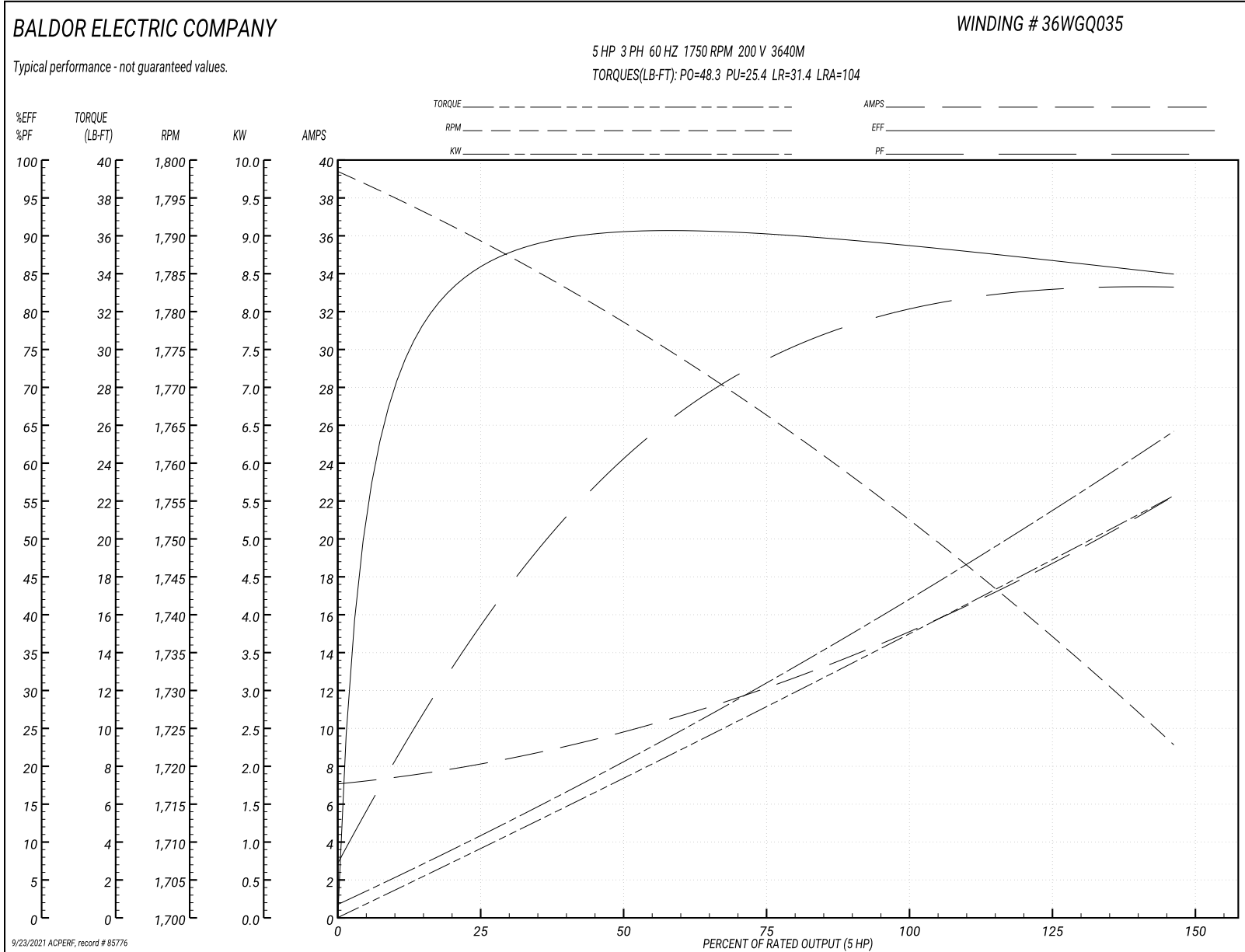
Preliminary Data Sheet

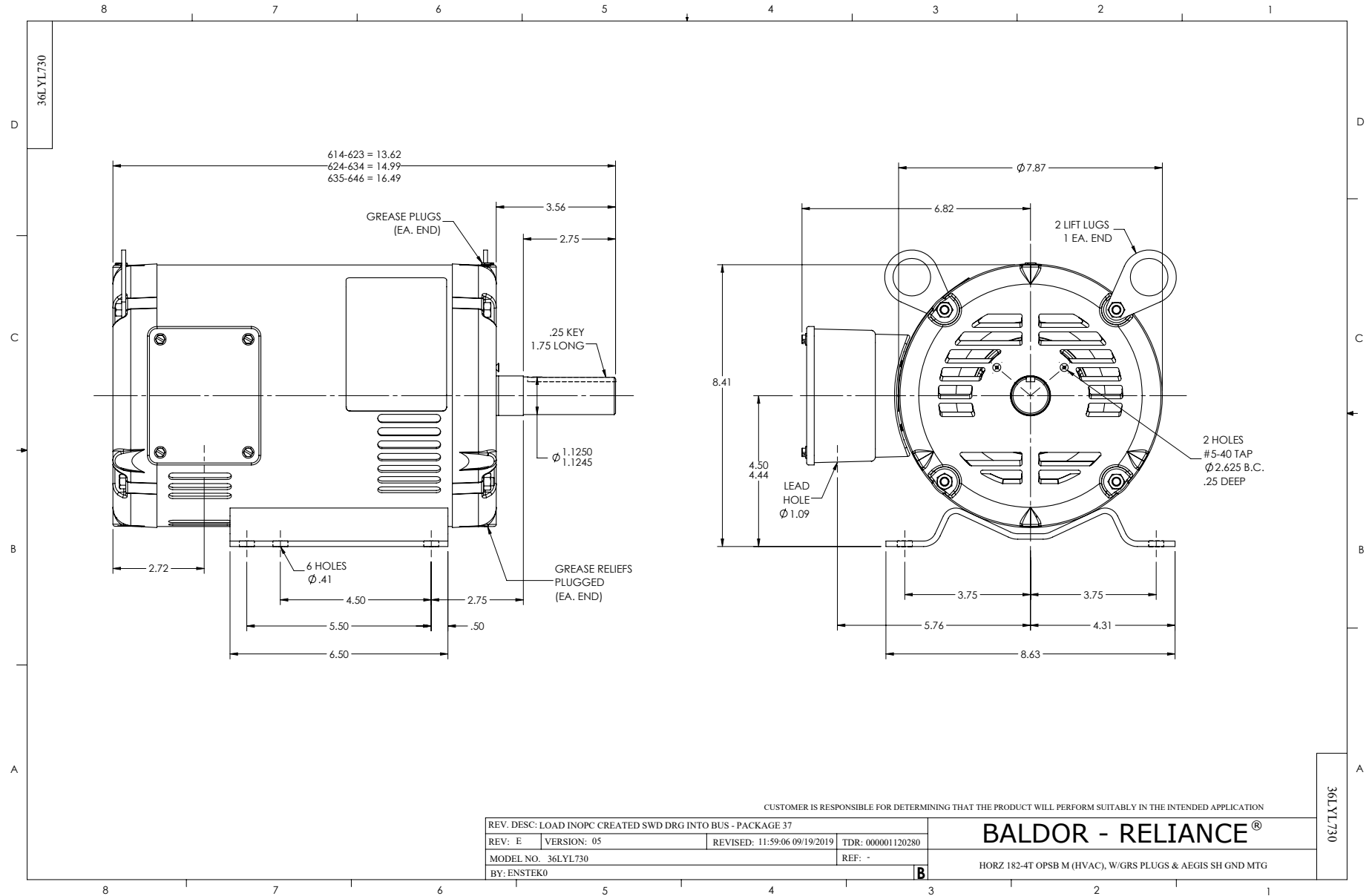
Winding: 36WGQ035-R001		Type: 3640M		Enclosure: OPSB	
Nameplate Data			200 V, 60 Hz: Single Voltage Motor		
Rated Output (HP)	5	Full Load Torque	15 LB-FT		
Volts	200	Start Configuration	direct on line		
Full Load Amps	15.2	Breakdown Torque	48.3 LB-FT		
R.P.M.	1750	Pull-up Torque	25.4 LB-FT		
Hz	60 Phase	3	Locked-rotor Torque	31.4 LB-FT	
NEMA Design Code	B KVA Code	J	Starting Current	104 A	
Service Factor (S.F.)	1.15	No-load Current	7.16 A		
NEMA Nom. Eff.	89.5	Power Factor	80	Line-line Res. @ 25°C	0.518 Ω
Rating - Duty	40C AMB-CONT		Temp. Rise @ Rated Load	43°C	
S.F. Amps	17.1	Temp. Rise @ S.F. Load	57°C		
		Locked-rotor Power Factor	48.8		
		Rotor inertia	0.372 lb-ft ²		

Load Characteristics 200 V, 60 Hz, 5 HP

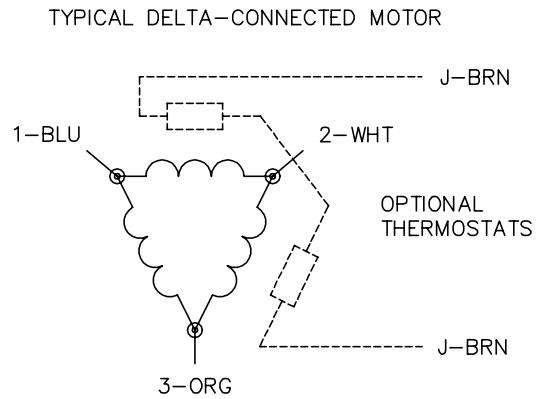
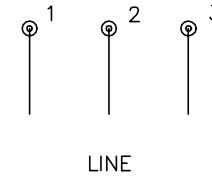
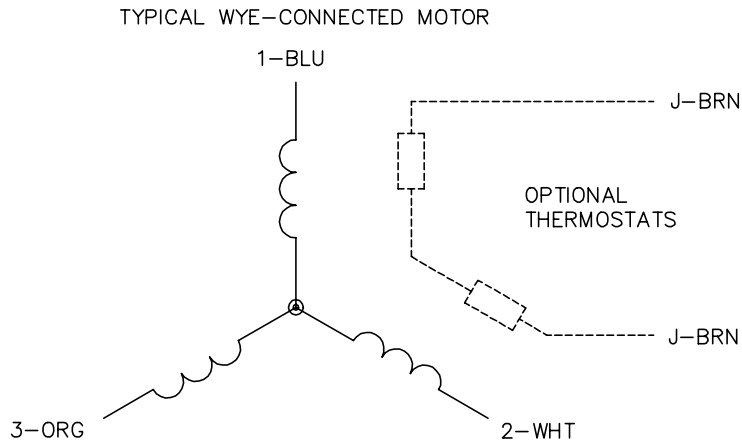
% of Rated Load	25	50	75	100	125	150	S.F.
Power Factor	40	62	74	79	83	84	82
Efficiency	85.5	89.9	90.3	89.7	88.3	86.6	89
Speed	1789	1778	1766	1753	1738	1722	1745
Line amperes	7.96	9.76	12.3	15.2	18.6	22.3	17.2

Performance Graph at 200V, 60Hz, 5.0HP Typical performance - Not guaranteed values





CD0006



NOTES:

1. THREE LEAD MOTOR MAY BE EITHER WYE CONNECTED OR DELTA CONNECTED.
2. INTERCHANGE ANY TWO LINE LEADS TO REVERSE ROTATION.
3. OPTIONAL THERMOSTATS ARE PROVIDED WHEN SPECIFIED.
4. ACTUAL NUMBER OF INTERNAL PARALLEL CIRCUITS MAY VARY.
5. LEAD COLORS ARE OPTIONAL. LEADS MUST BE NUMBERED AS SHOWN.

CD0006

REV. DESC: ADD CLASS CONN00000007		
REV. LTR: E	VERSION: 01	TDR: 000001099922
FILE: \AAA\00005\141	REVISED: 10:24:49 02/19/2019	BY: ENBRIRO
MTL: -	© □	

BALDOR - RELIANCE®

3PH, SV, 3 LEADS, WYE OR DELTA CONNECTED

SH 1 of 1