

BALDOR® • RELIANCE 

Product Information Packet

EHM3313T-8

10HP,1770RPM,3PH,60HZ,215T,3740M,OPSB,F1

Part Detail							
Revision:	T	Status:	PRD/A	Change #:		Proprietary:	No
Type:	AC	Elec. Spec:	37WGT937	CD Diagram:	CD0006	Mfg Plant:	
Mech. Spec:	37J637	Layout:	37LYJ637	Poles:	04	Created Date:	02-18-2010
Base:	RG	Eff. Date:	01-19-2021	Leads:	3#10		

Specs			
Catalog Number:	EHM3313T-8	IP Rating:	NONE
Enclosure:	OPSB	KVA Code:	J
Frame:	215T	Lifting Lugs:	Standard Lifting Lugs
Frame Material:	Steel	Locked Bearing Indicator:	No Locked Bearing
Output @ Frequency:	10.000 HP @ 60 HZ	Motor Lead Quantity/Wire Size:	3 @ 10 AWG
Synchronous Speed @ Frequency:	1800 RPM @ 60 HZ	Motor Lead Exit:	Ko Box
Voltage @ Frequency:	200.0 V @ 60 HZ	Motor Lead Termination:	Flying Leads
XP Class and Group:	None	Motor Type:	3740M
XP Division:	Not Applicable	Mounting Arrangement:	F1
Agency Approvals:	CSA	Power Factor:	80
	UR	Product Family:	General Purpose
Auxillary Box:	No Auxillary Box	Pulley End Bearing Type:	Ball
Auxillary Box Lead Termination:	None	Pulley Face Code:	Standard
Base Indicator:	Rigid	Pulley Shaft Indicator:	Standard
Bearing Grease Type:	Polyrex EM (-20F +300F)	Rodent Screen:	None
Blower:	None	RoHS Status:	ROHS COMPLIANT
Current @ Voltage:	29.500 A @ 200.0 V	Shaft Extension Location:	Pulley End
	30.300 A @ 208.0 V	Shaft Ground Indicator:	No Shaft Grounding

Design Code:	A	Shaft Rotation:	Reversible
Drip Cover:	No Drip Cover	Shaft Slinger Indicator:	No Slinger
Duty Rating:	CONT	Speed Code:	Single Speed
Electrically Isolated Bearing:	Not Electrically Isolated	Motor Standards:	NEMA
Feedback Device:	NO FEEDBACK	Starting Method:	Direct on line
Front Face Code:	Standard	Thermal Device - Bearing:	None
Front Shaft Indicator:	None	Thermal Device - Winding:	None
Heater Indicator:	No Heater	Vibration Sensor Indicator:	No Vibration Sensor
Insulation Class:	F	Winding Thermal 1:	None
Inverter Code:	Inverter Ready	Winding Thermal 2:	None

Nameplate NP2094E06B03	
CAT.NO.	EHM3313T-8
SPEC.	37J637T937G1
HP	10
VOLTS	200
AMPS	29.5
RPM	1770
FRAME	215T
	HZ 60
	PH 3
SER.F.	1.15
	CODE J
	DES A
	CL F
NEMA-NOM-EFF	91.7
	PF 80
RATING	40C AMB-CONT
CC	010A
	USABLE AT 208V 30.3
DE	6307
	ODE 6206
AUTO	N
	MANUAL N
	NONE Y
ENCL	OPSB
	SN
BLANK	

AC Induction Motor Performance Data

Record # 17618

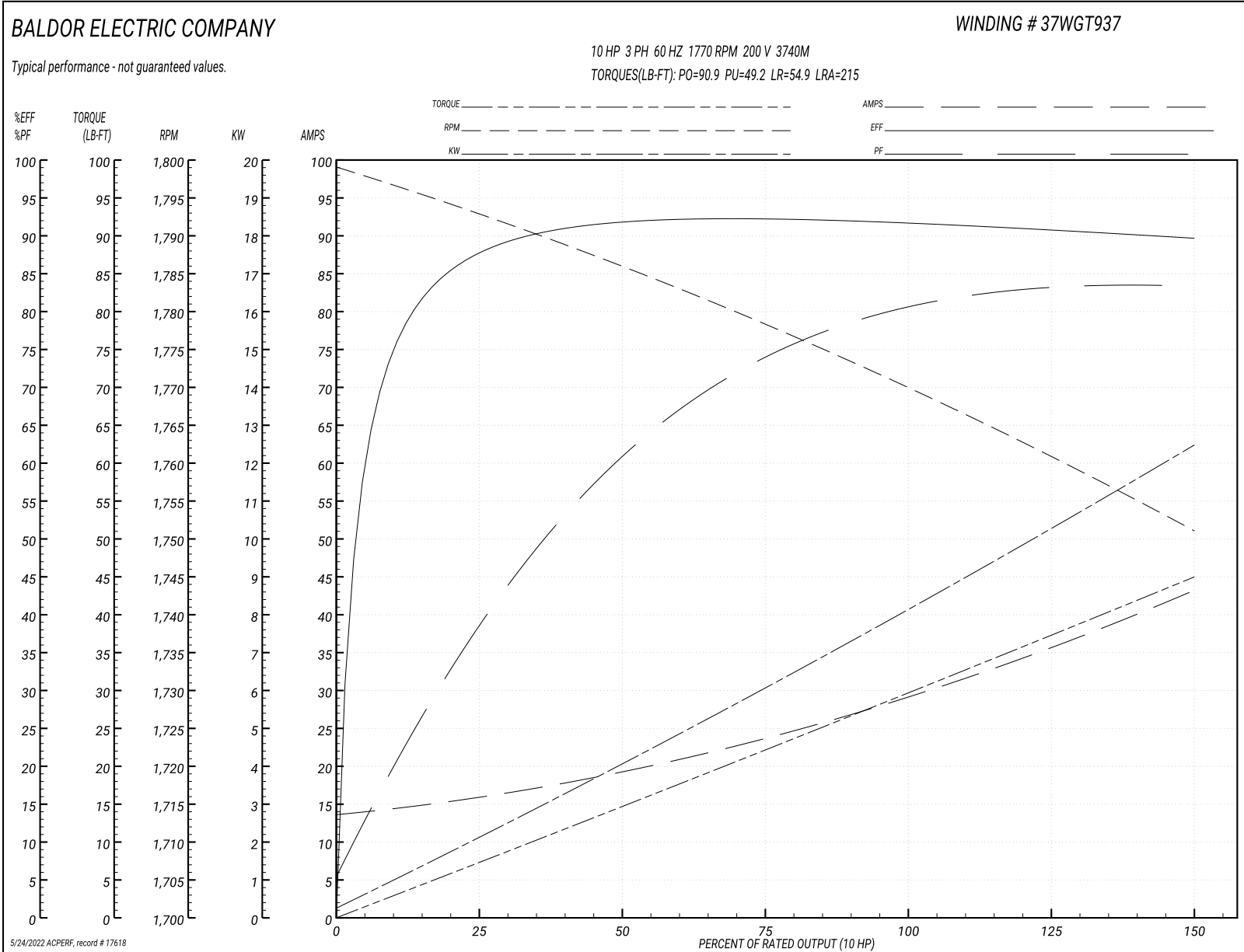
Typical performance - not guaranteed values

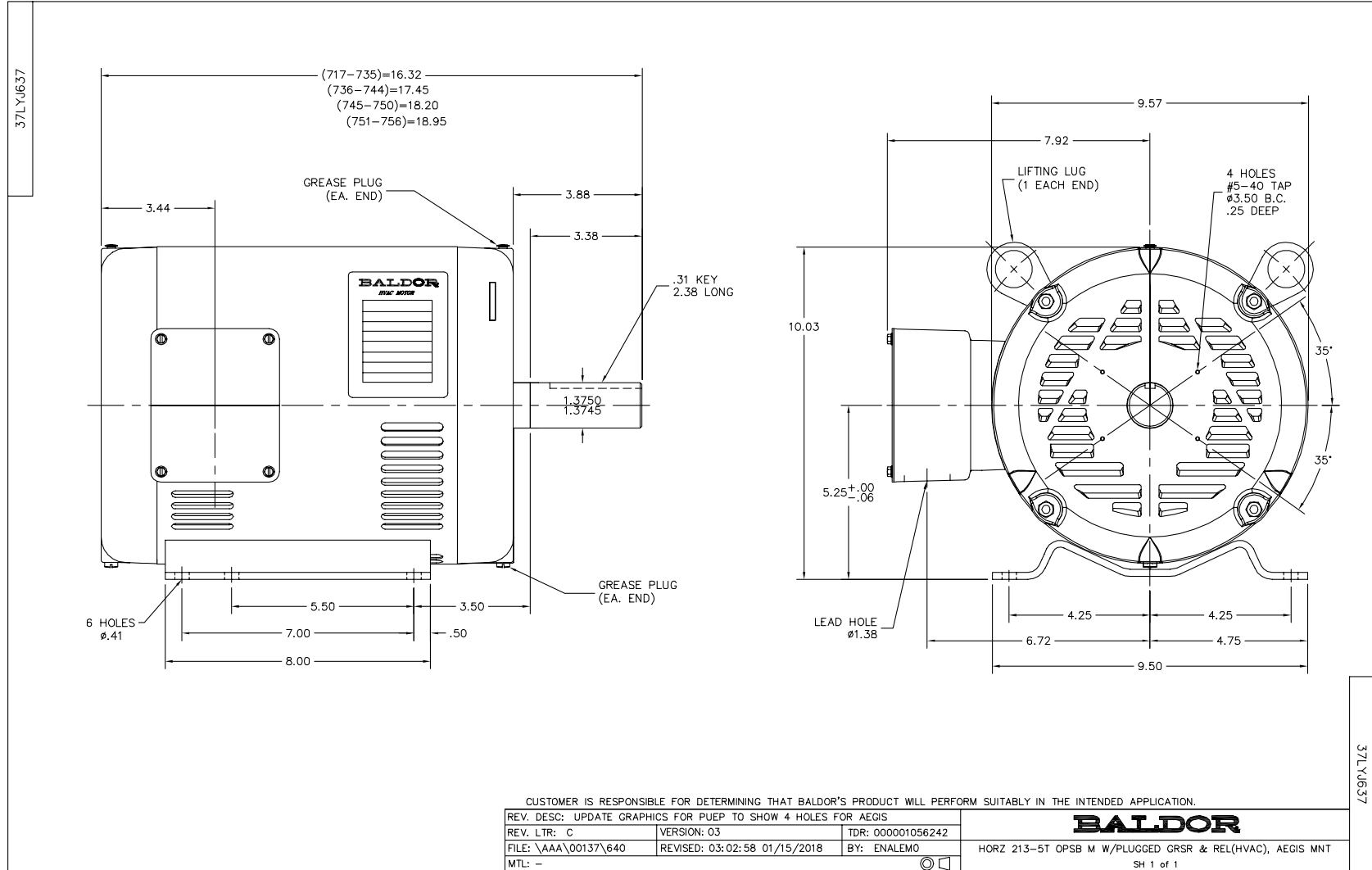
Winding: 37WGT937-R001		Type: 3740M	Enclosure: OPSB
Nameplate Data		200 V, 60 Hz: Single Voltage Motor	
Rated Output (HP)	10	Full Load Torque	29.7 LB-FT
Volts	200	Start Configuration	direct on line
Full Load Amps	29.5	Breakdown Torque	90.9 LB-FT
R.P.M.	1770	Pull-up Torque	49.2 LB-FT
Hz	60 Phase	Locked-rotor Torque	54.9 LB-FT
NEMA Design Code	A KVA Code	Starting Current	215 A
Service Factor (S.F.)	1.15	No-load Current	14 A
NEMA Nom. Eff.	91.7 Power Factor	Line-line Res. @ 25°C	0.19 Ω
Rating - Duty	40C AMB-CONT	Temp. Rise @ Rated Load	34°C
S.F. Amps		Temp. Rise @ S.F. Load	42°C
		Locked-rotor Power Factor	38
		Rotor inertia	0.984 lb-ft ²

Load Characteristics 200 V, 60 Hz, 10 HP

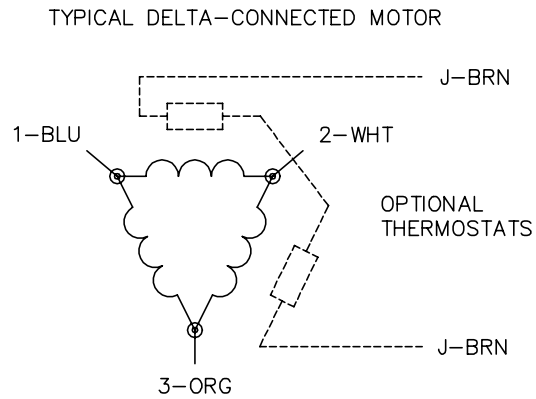
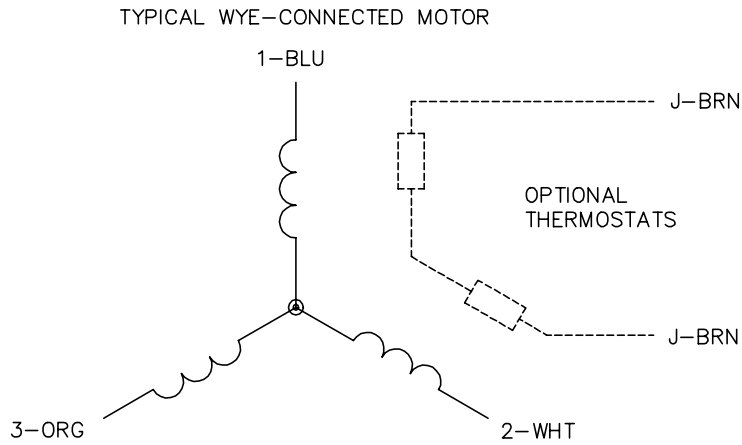
% of Rated Load	25	50	75	100	125	150	S.F.
Power Factor	40	62	74	80	83	84	82
Efficiency	87	91.6	92.2	91.8	90.8	89.6	91.2
Speed	1793	1786	1778	1770	1761	1751	1765
Line amperes	15.4	19.1	23.8	29.5	35.8	43	33.3

Performance Graph at 200V, 60Hz, 10.0HP Typical performance - Not guaranteed values





CD0006



NOTES:

1. THREE LEAD MOTOR MAY BE EITHER WYE CONNECTED OR DELTA CONNECTED.
2. INTERCHANGE ANY TWO LINE LEADS TO REVERSE ROTATION.
3. OPTIONAL THERMOSTATS ARE PROVIDED WHEN SPECIFIED.
4. ACTUAL NUMBER OF INTERNAL PARALLEL CIRCUITS MAY VARY.
5. LEAD COLORS ARE OPTIONAL. LEADS MUST BE NUMBERED AS SHOWN.

CD0006

REV. DESC: ADD CLASS CONN00000007		
REV. LTR: E	VERSION: 01	TDR: 000001099922
FILE: \AAA\00005\141	REVISED: 10:24:49 02/19/2019	BY: ENBRIRO
MTL: -	© □	

BALDOR - RELIANCE®

3PH, SV, 3 LEADS, WYE OR DELTA CONNECTED

SH 1 of 1