

BALDOR® • RELIANCE 

Product Information Packet

EJMM2531T

25HP,1775RPM,3PH,60HZ,284JM,4050M,OPSB,F

Part Detail							
Revision:	-	Status:	PRD/A	Change #:		Proprietary:	No
Type:	AC	Elec. Spec:	40WG806	CD Diagram:	CD0005	Mfg Plant:	
Mech. Spec:	40E211	Layout:	40LYE211	Poles:	04	Created Date:	02-10-2021
Base:	RG	Eff. Date:	02-24-2021	Leads:	9#10		

Specs			
Catalog Number:	EJMM2531T	Insulation Class:	F
Enclosure:	OPSB	Inverter Code:	Inverter Ready
Frame:	284JM	KVA Code:	G
Frame Material:	Steel	Lifting Lugs:	Standard Lifting Lugs
Output @ Frequency:	25.000 HP @ 60 HZ	Locked Bearing Indicator:	Locked Bearing
Synchronous Speed @ Frequency:	1800 RPM @ 60 HZ	Motor Lead Quantity/Wire Size:	9 @ 10 AWG
Voltage @ Frequency:	460.0 V @ 60 HZ	Motor Lead Exit:	Ko Box
	230.0 V @ 60 HZ	Motor Lead Termination:	Flying Leads
Agency Approvals:	CSA	Motor Type:	4050M
	CSA EEV	Mounting Arrangement:	F1
	UR	Power Factor:	82
Auxillary Box:	No Auxillary Box	Product Family:	General Purpose
Auxillary Box Lead Termination:	None	Pulley End Bearing Type:	Ball
Base Indicator:	Rigid	Pulley Face Code:	C-Face
Bearing Grease Type:	Polyrex EM (-20F +300F)	Pulley Shaft Indicator:	Tapped & Key
Blower:	None	Rodent Screen:	Included
Current @ Voltage:	64.000 A @ 208.0 V	Shaft Extension Location:	Pulley End
	60.000 A @ 230.0 V	Shaft Ground Indicator:	No Shaft Grounding

	30.000 A @ 460.0 V	Shaft Rotation:	Reversible
Design Code:	A	Shaft Slinger Indicator:	Shaft Slinger
Drip Cover:	No Drip Cover	Speed Code:	Single Speed
Duty Rating:	CONT	Motor Standards:	NEMA
Electrically Isolated Bearing:	Not Electrically Isolated	Starting Method:	Direct on line
Feedback Device:	NO FEEDBACK	Thermal Device - Bearing:	None
Front Face Code:	Standard	Thermal Device - Winding:	None
Front Shaft Indicator:	None	Vibration Sensor Indicator:	No Vibration Sensor
Heater Indicator:	No Heater	Winding Thermal 1:	None
		Winding Thermal 2:	None

Nameplate NP2138LUA												
CAT.NO.	EJMM2531T			P/N				ENCLOSURE	OPSB			
SPEC.	40E211X806		CC	010A		FRAME	284JM		S/N			
HP	25			CLASS	F		HZ	60				
RPM	1775			PH	3		DES	A				
VOLT	230/460			KVA-CODE	G		ODE BRG	6309		DE BRG	6312	
AMP	60/30			USABLE AT 208V	64							
RATING	40C AMB-CONT			GREASE	POLYREX EM							
NEMA-NOM-EFF	93.6		PF	82		SER.F.	1.15					
HTR-VOLTS	50HZ 25HP 190/380V 72/36A					SF1.0						
	HTR-AMPS											

AC Induction Motor Performance Data

Record # 86783

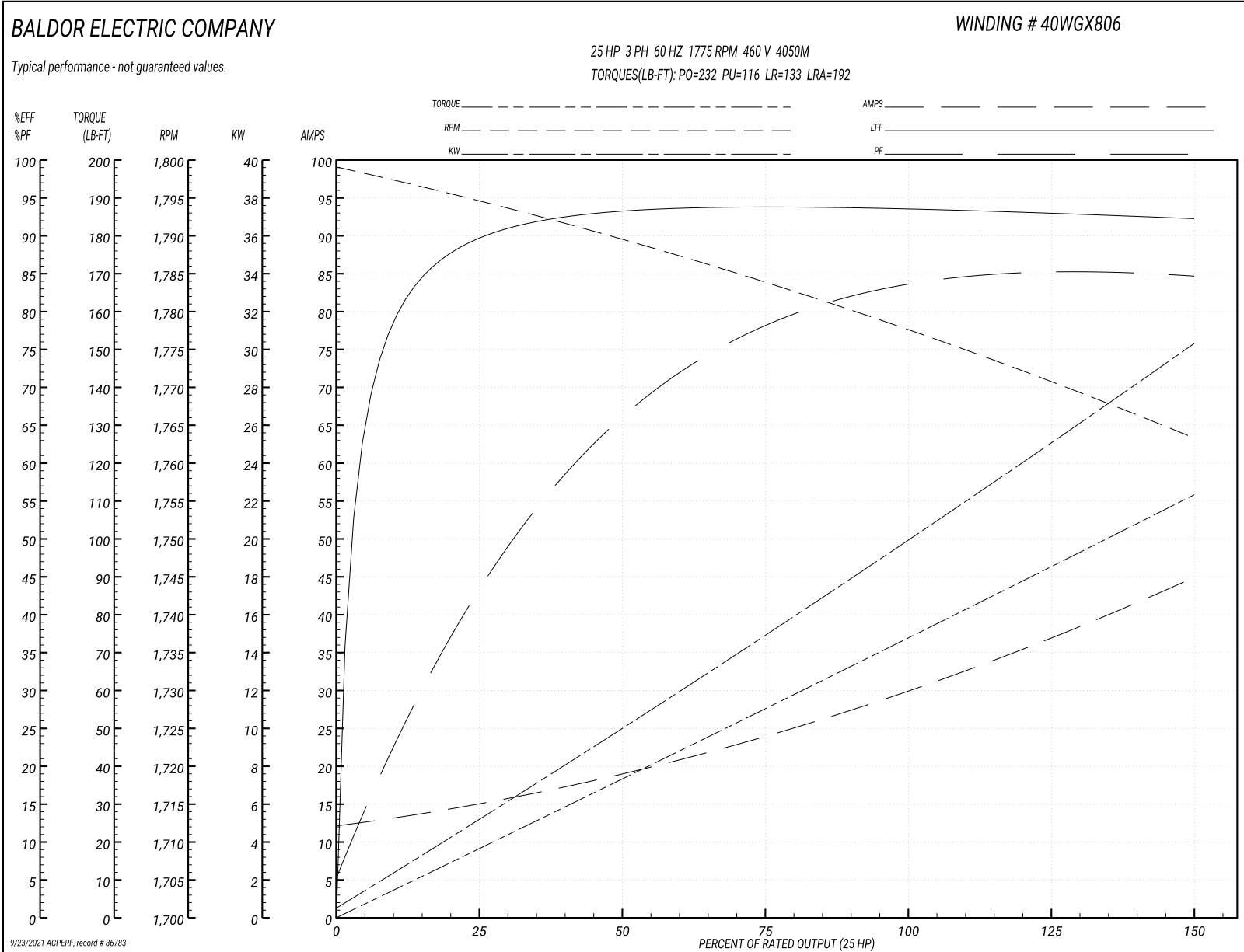
Typical performance - not guaranteed values

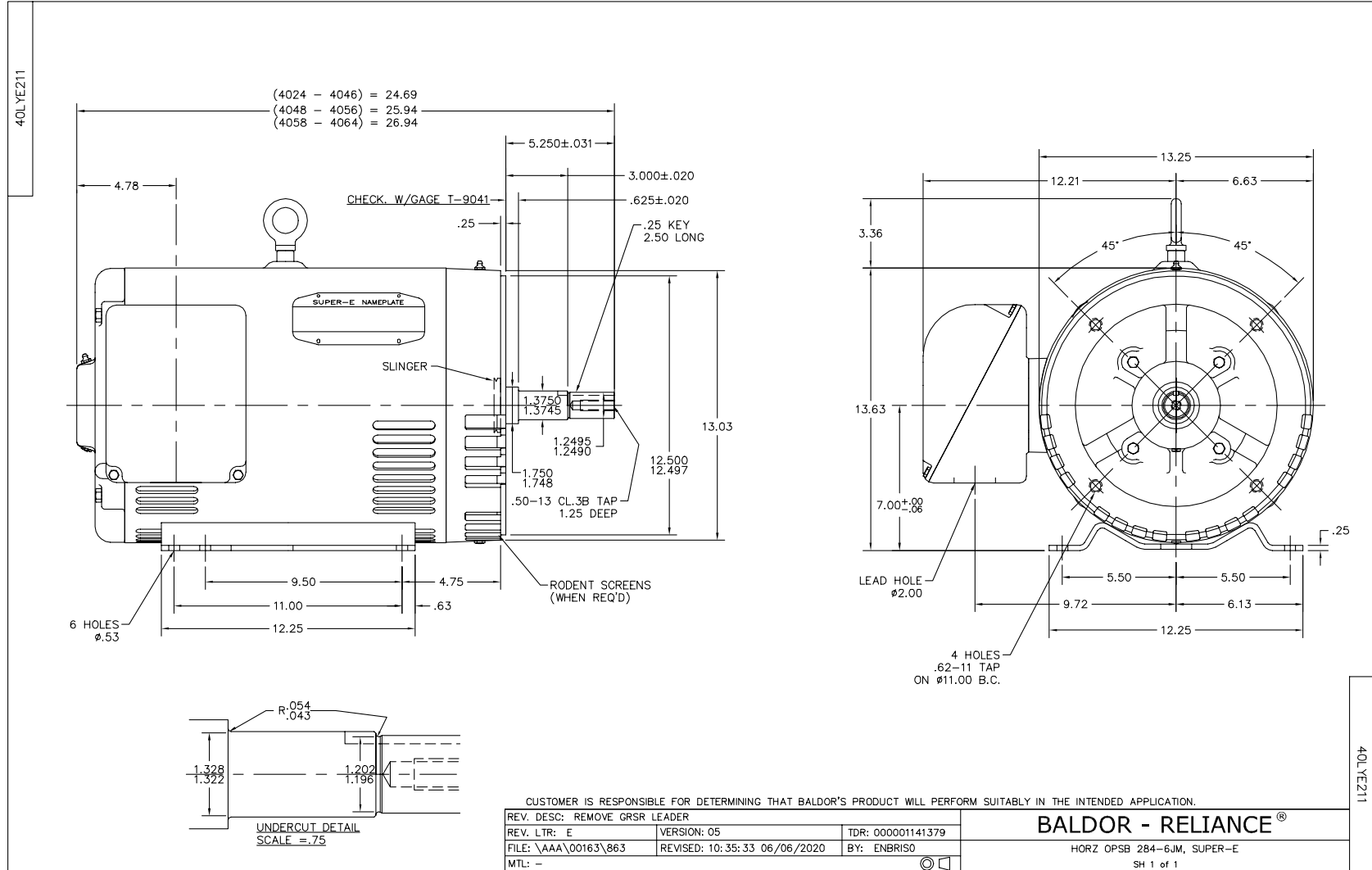
Winding: 40WGx806-R001		Type: 4050M	Enclosure: OPSB	
Nameplate Data			460 V, 60 Hz: High Voltage Connection	
Rated Output (HP)	25	Full Load Torque	73.81 LB-FT	
Volts	230/460	Start Configuration	direct on line	
Full Load Amps	60/30	Breakdown Torque	232 LB-FT	
R.P.M.	1775	Pull-up Torque	116 LB-FT	
Hz	60 Phase	Locked-rotor Torque	133 LB-FT	
NEMA Design Code	A KVA Code	Starting Current	192 A	
Service Factor (S.F.)	1.15	No-load Current	12.6 A	
NEMA Nom. Eff.	93.6 Power Factor	Line-line Res. @ 25°C	0.35407 Ω	
Rating - Duty	40C AMB-CONT	Temp. Rise @ Rated Load	28°C	
S.F. Amps		Temp. Rise @ S.F. Load	34°C	
		Locked-rotor Power Factor	35	

Load Characteristics 460 V, 60 Hz, 25 HP

% of Rated Load	25	50	75	100	125	150	S.F.
Power Factor	45	67	78	82	85	85	84
Efficiency	89.4	93.1	93.8	93.6	93	92.1	93.2
Speed	1794.8	1789.5	1783.7	1777.6	1771	1763.2	1774
Line amperes	14.5	18.6	24.1	30.3	37.2	44.6	34.4

Performance Graph at 460V, 60Hz, 25.0HP Typical performance - Not guaranteed values





CD0005

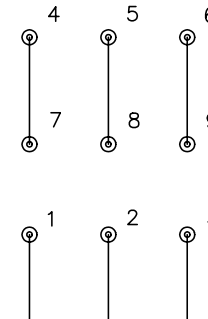


LOW VOLTAGE
(2Y)



LINE

HIGH VOLTAGE
(1Y)



LINE

NOTES:

1. INTERCHANGE ANY TWO LINE LEADS TO REVERSE ROTATION.
2. OPTIONAL THERMOSTATS ARE PROVIDED WHEN SPECIFIED.
3. ACTUAL NUMBER OF INTERNAL PARALLEL CIRCUITS MAY BE A MULTIPLE OF THOSE SHOWN ABOVE.
4. LEAD COLORS ARE OPTIONAL. LEADS MUST ALWAYS BE NUMBERED AS SHOWN.

REV. DESC: REVISE TO SHOW OPTIONAL COLORS			
REV. LTR: E	BY: JLP	REVISED: 01/19/99 10:15	TDR: 0171435
90000		FILE: AAA00005140	MDL: -
		MTL: -	

BALDOR ELECTRIC Co.

3PH, DV, 9 LEADS

CD0005