

BALDOR® • RELIANCE 

Product Information Packet

EJMM3711T-5

10HP,3490RPM,3PH,60HZ,215JM,3728M,TEFC,F

Part Detail							
Revision:	D	Status:	PRD/A	Change #:		Proprietary:	No
Type:	AC	Elec. Spec:	37WGR021	CD Diagram:	CD0006	Mfg Plant:	
Mech. Spec:	37J786	Layout:	37LYJ786	Poles:	02	Created Date:	08-18-2015
Base:	RG	Eff. Date:	12-07-2020	Leads:	3#14		

Specs			
Catalog Number:	EJMM3711T-5	Insulation Class:	F
Enclosure:	TEFC	Inverter Code:	Inverter Ready
Frame:	215JM	KVA Code:	G
Frame Material:	Steel	Lifting Lugs:	Standard Lifting Lugs
Motor Letter Type:	Three Phase	Locked Bearing Indicator:	Locked Bearing
Output @ Frequency:	10.000 HP @ 60 HZ	Motor Lead Quantity/Wire Size:	3 @ 14 AWG
Synchronous Speed @ Frequency:	3600 RPM @ 60 HZ	Motor Lead Exit:	Ko Box
Voltage @ Frequency:	575.0 V @ 60 HZ	Motor Lead Termination:	Flying Leads
XP Class and Group:	None	Motor Type:	3728M
XP Division:	Not Applicable	Mounting Arrangement:	F1
Agency Approvals:	CSA EEV	Power Factor:	87
	NEMA PREMIUM	Product Family:	General Purpose
	NEMA_PREMIUM	Pulley End Bearing Type:	Ball
	UR	Pulley Face Code:	C-Face
Auxillary Box:	No Auxillary Box	Pulley Shaft Indicator:	Tapped & Key
Auxillary Box Lead Termination:	None	Rodent Screen:	None
Base Indicator:	Rigid	RoHS Status:	ROHS COMPLIANT
Bearing Grease Type:	Polyrex EM (-20F +300F)	Shaft Extension Location:	Pulley End

Blower:	None	Shaft Ground Indicator:	No Shaft Grounding
Current @ Voltage:	9.500 A @ 575.0 V	Shaft Rotation:	Reversible
Design Code:	B	Shaft Slinger Indicator:	Shaft Slinger
Drip Cover:	No Drip Cover	Speed Code:	Single Speed
Duty Rating:	CONT	Motor Standards:	NEMA
Electrically Isolated Bearing:	Not Electrically Isolated	Starting Method:	Direct on line
Feedback Device:	NO FEEDBACK	Thermal Device - Bearing:	None
Front Face Code:	Standard	Thermal Device - Winding:	None
Front Shaft Indicator:	None	Vibration Sensor Indicator:	No Vibration Sensor
Heater Indicator:	No Heater	Winding Thermal 1:	None
		Winding Thermal 2:	None

Nameplate NP3441L										
CAT.NO.	EJMM3711T-5									
SPEC.	37J786R021G1									
HP	10									
VOLTS	575									
AMP	9.5									
RPM	3490									
FRAME	215JM				HZ	60			PH	3
SER.F.	1.15		CODE	G	DES	B		CL	F	
NEMA-NOM-EFF	90.2		PF	87						
RATING	40C AMB-CONT									
CC	010A				USABLE AT 208V					N/A
DE	6309				ODE	6206				
ENCL	TEFC		SN							
VPWM INVERTER READY										
CT6-60H(10:1)VT3-60H(20:1)										

AC Induction Motor Performance Data

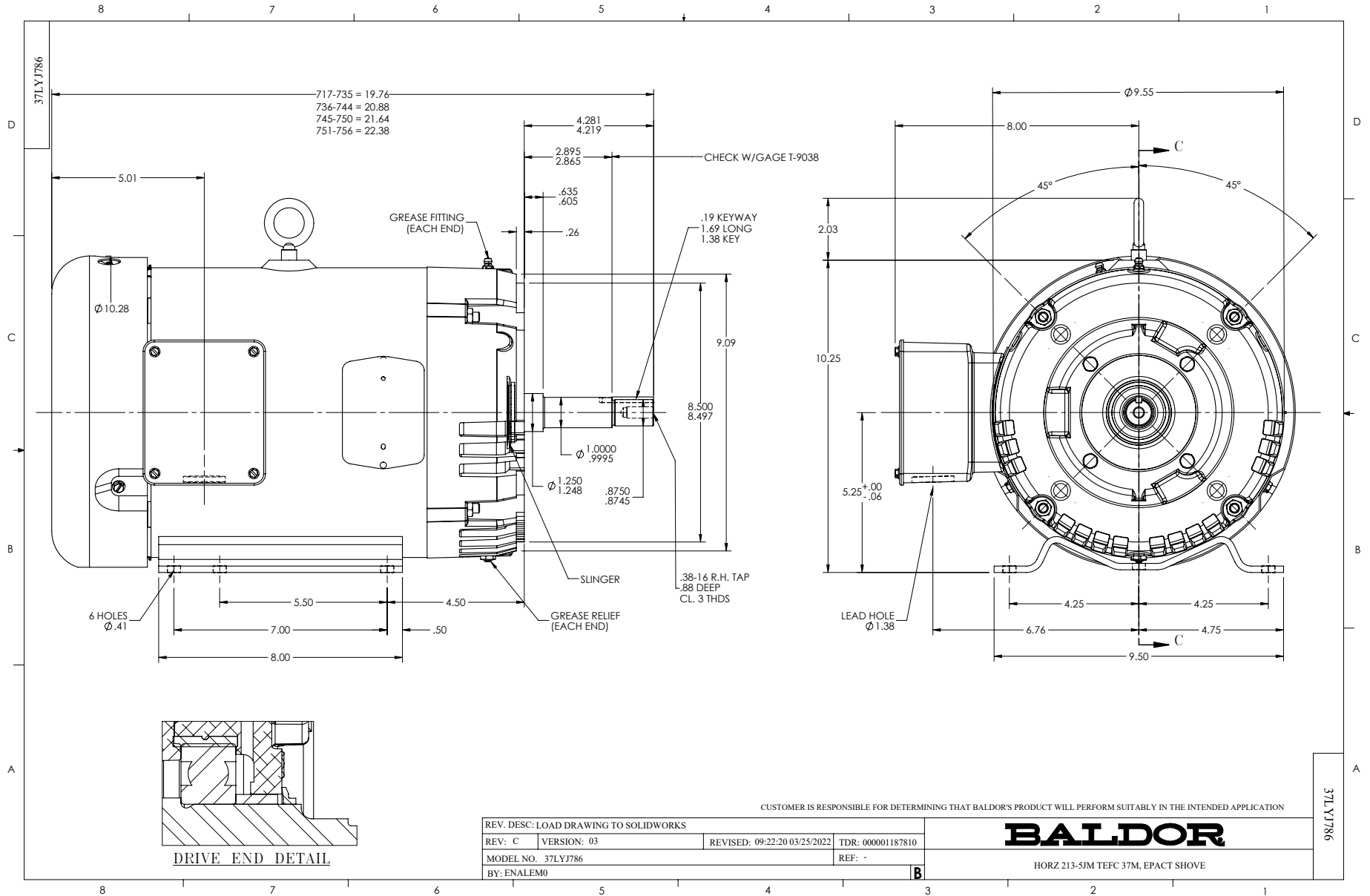
Record # 36090

Typical performance - not guaranteed values

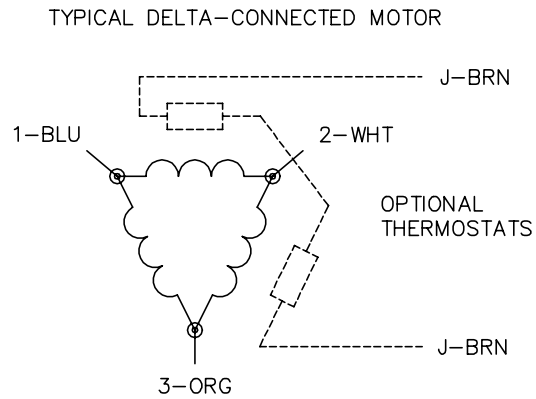
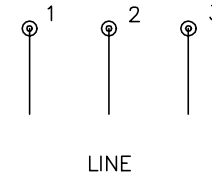
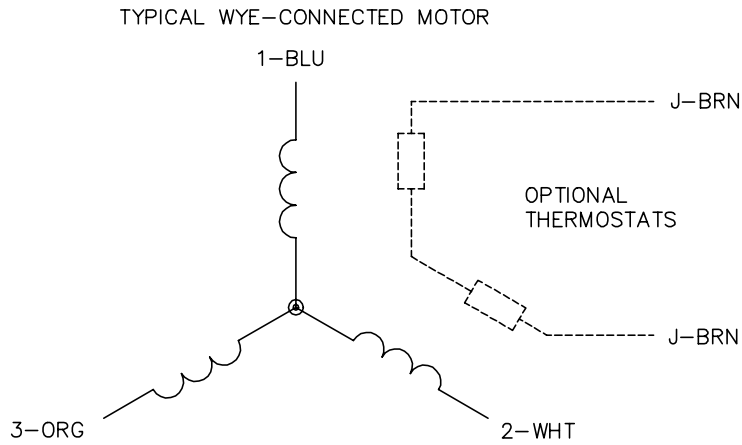
Winding: 37WGR021-R001		Type: 3728M		Enclosure: TEFC	
Nameplate Data			575 V, 60 Hz: Single Voltage Motor		
Rated Output (HP)	10	Full Load Torque	15 LB-FT		
Volts	575	Start Configuration	direct on line		
Full Load Amps	9.5	Breakdown Torque	47.2 LB-FT		
R.P.M.	3490	Pull-up Torque	22.7 LB-FT		
Hz	60 Phase	3	Locked-rotor Torque	26.4 LB-FT	
NEMA Design Code	B KVA Code	G	Starting Current	62.9 A	
Service Factor (S.F.)	1.15	No-load Current	3.53 A		
NEMA Nom. Eff.	90.2	Power Factor	87	Line-line Res. @ 25°C	1.48 Ω
Rating - Duty	40C AMB-CONT		Temp. Rise @ Rated Load	78°C	
S.F. Amps			Temp. Rise @ S.F. Load	97°C	
			Locked-rotor Power Factor	33	
			Rotor inertia	0.255 LB-FT ²	

Load Characteristics 575 V, 60 Hz, 10 HP

% of Rated Load	25	50	75	100	125	150	S.F.
Power Factor	50	72	82	86	88	89	88
Efficiency	86.7	90.9	91.4	90.8	89.3	87.7	90
Speed	3576	3548	3517	3484	3448	3406	3463
Line amperes	4.15	5.65	7.43	9.57	11.8	14.4	10.8



CD0006



NOTES:

1. THREE LEAD MOTOR MAY BE EITHER WYE CONNECTED OR DELTA CONNECTED.
2. INTERCHANGE ANY TWO LINE LEADS TO REVERSE ROTATION.
3. OPTIONAL THERMOSTATS ARE PROVIDED WHEN SPECIFIED.
4. ACTUAL NUMBER OF INTERNAL PARALLEL CIRCUITS MAY VARY.
5. LEAD COLORS ARE OPTIONAL. LEADS MUST BE NUMBERED AS SHOWN.

CD0006

REV. DESC: ADD CLASS CONN00000007		
REV. LTR: E	VERSION: 01	TDR: 000001099922
FILE: \AAA\00005\141	REVISED: 10:24:49 02/19/2019	BY: ENBRIRO
MTL: -		

BALDOR - RELIANCE®

3PH, SV, 3 LEADS, WYE OR DELTA CONNECTED

SH 1 of 1