

**BALDOR® • RELIANCE** 

**Product Information Packet**

**EL3504**

**.5HP, 1745RPM, 1PH, 60HZ, 56, 3424LC, TEFC, F1**

Part Detail							
Revision:	AJ	Status:	PRD/A	Change #:		Proprietary:	No
Type:	AC	Elec. Spec:	34WGX029	CD Diagram:	CD0055	Mfg Plant:	
Mech. Spec:	34G375	Layout:	34LYG375	Poles:	04	Created Date:	
Base:	RG	Eff. Date:	04-22-2021	Leads:	6#18		

Specs			
Catalog Number:	EL3504	Insulation Class:	F
Enclosure:	TEFC	Inverter Code:	Not Inverter
Frame:	56	IP Rating:	NONE
Frame Material:	Steel	KVA Code:	K
Motor Letter Type:	Cap Start, Cap Run	Lifting Lugs:	No Lifting Lugs
Output @ Frequency:	.500 HP @ 60 HZ	Locked Bearing Indicator:	No Locked Bearing
Synchronous Speed @ Frequency:	1800 RPM @ 60 HZ	Motor Lead Quantity/Wire Size:	6 @ 18 AWG
Voltage @ Frequency:	115.0 V @ 60 HZ	Motor Lead Exit:	Ko Box
	230.0 V @ 60 HZ	Motor Lead Termination:	Flying Leads
XP Class and Group:	None	Motor Type:	3424LC
XP Division:	Not Applicable	Mounting Arrangement:	F1
Agency Approvals:	CSA	Power Factor:	89
	CSA EEV	Product Family:	General Purpose
	NEMA_PREMIUM	Pulley End Bearing Type:	Ball
	UR	Pulley Face Code:	Standard
Auxillary Box:	No Auxillary Box	Pulley Shaft Indicator:	Standard
Auxillary Box Lead Termination:	None	Rodent Screen:	None
Base Indicator:	Rigid	RoHS Status:	ROHS COMPLIANT

<b>Bearing Grease Type:</b>	Polyrex EM (-20F +300F)	<b>Shaft Extension Location:</b>	Pulley End
<b>Blower:</b>	None	<b>Shaft Ground Indicator:</b>	No Shaft Grounding
<b>Current @ Voltage:</b>	4.600 A @ 115.0 V	<b>Shaft Rotation:</b>	Reversible
	2.300 A @ 230.0 V	<b>Shaft Slinger Indicator:</b>	No Slinger
<b>Design Code:</b>	N	<b>Speed Code:</b>	Single Speed
<b>Drip Cover:</b>	No Drip Cover	<b>Motor Standards:</b>	NEMA
<b>Duty Rating:</b>	CONT	<b>Starting Method:</b>	Direct on line
<b>Electrically Isolated Bearing:</b>	Not Electrically Isolated	<b>Thermal Device - Bearing:</b>	None
<b>Feedback Device:</b>	NO FEEDBACK	<b>Thermal Device - Winding:</b>	None
<b>Front Face Code:</b>	Standard	<b>Vibration Sensor Indicator:</b>	No Vibration Sensor
<b>Front Shaft Indicator:</b>	None	<b>Winding Thermal 1:</b>	None
<b>Heater Indicator:</b>	No Heater	<b>Winding Thermal 2:</b>	None

Nameplate NP2117L											
CAT.NO.	EL3504										
SPEC.	34G375X29G1										
HP	.5										
VOLTS	115/230										
AMP	4.6/2.3										
RPM	1745										
FRAME	56				HZ	60			PH	1	
SER.F.	1.25				CODE	K		DES	N	CL	F
NEMA-NOM-EFF	78.5				PF	89					
RATING	40C AMB-CONT										
CC									USABLE AT 208V	N/A	
DE	6203				ODE	6203					
ENCL	TEFC				SN						
	SFA 5.6/2.8										

**AC Induction Motor Performance Data**

Record # 20836

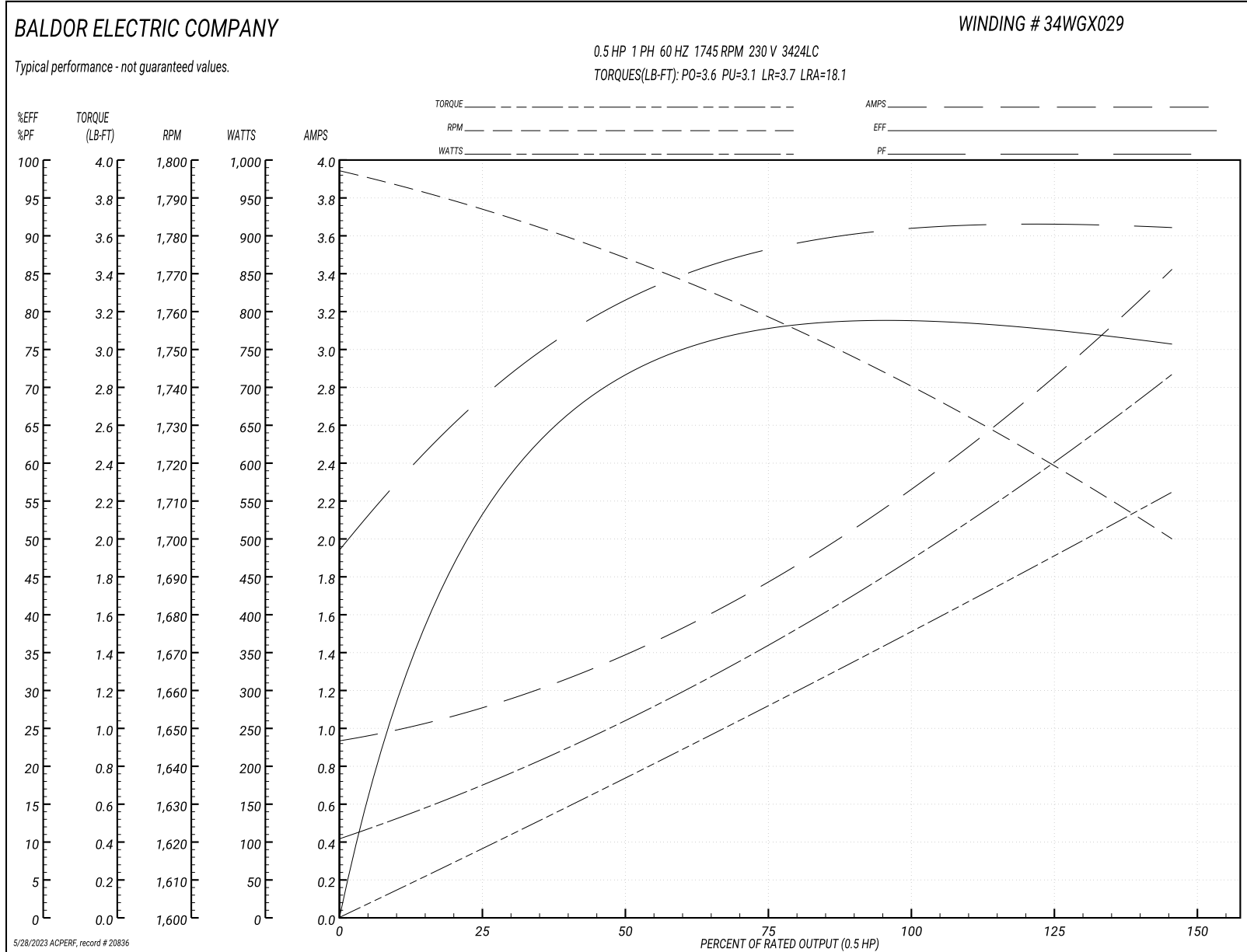
Typical performance - not guaranteed values

<b>Winding: 34WGX029-R002</b>		<b>Type: 3424LC</b>		<b>Enclosure: TEFC</b>	
<b>Nameplate Data</b>			<b>230 V, 60 Hz: High Voltage Connection</b>		
<b>Rated Output (HP)</b>	.5	<b>Full Load Torque</b>	1.5 LB-FT		
<b>Volts</b>	115/230	<b>Start Configuration</b>	direct on line		
<b>Full Load Amps</b>	4.6/2.3	<b>Breakdown Torque</b>	3.6 LB-FT		
<b>R.P.M.</b>	1745	<b>Pull-up Torque</b>	3.1 LB-FT		
<b>Hz</b>	60 <b>Phase</b>	1	<b>Locked-rotor Torque</b>	3.7 LB-FT	
<b>NEMA Design Code</b>	N	<b>KVA Code</b>	K	<b>Starting Current</b>	18.1 A
<b>Service Factor (S.F.)</b>	1.25		<b>No-load Current</b>	1 A	
<b>NEMA Nom. Eff.</b>	78.5	<b>Power Factor</b>	89	<b>Line-line Res. @ 25°C</b>	5.16 Ω A Ph 4.01 Ω B Ph
<b>Rating - Duty</b>	40C AMB-CONT		<b>Temp. Rise @ Rated Load</b>	57°C	
<b>S.F. Amps</b>	5.6/2.8		<b>Temp. Rise @ S.F. Load</b>	71°C	

**Load Characteristics 230 V, 60 Hz, 0.5 HP**

<b>% of Rated Load</b>	<b>25</b>	<b>50</b>	<b>75</b>	<b>100</b>	<b>125</b>	<b>150</b>	<b>S.F.</b>
<b>Power Factor</b>	64	79	87	90	92	93	92
<b>Efficiency</b>	56.9	72.4	76.5	78.4	77.8	75.8	77.8
<b>Speed</b>	1786	1773	1758	1742	1722	1699	1722
<b>Line amperes</b>	1	1.4	1.8	2.3	2.8	3.4	2.8

Performance Graph at 230V, 60Hz, 0.5HP Typical performance - Not guaranteed values



**AC Induction Motor Performance Data**

Record # 43326

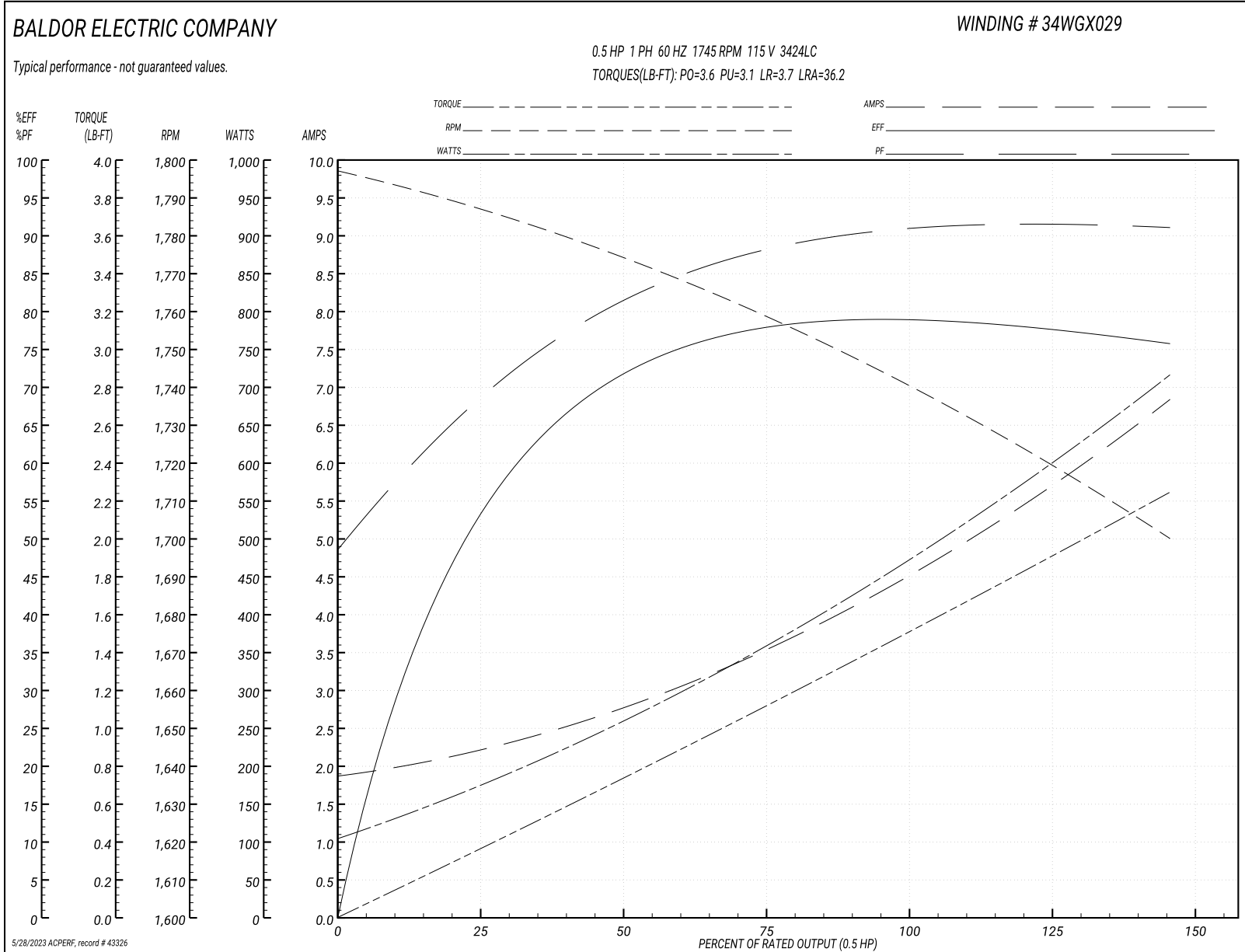
Typical performance - not guaranteed values

<b>Winding: 34WGX029-R002</b>		<b>Type: 3424LC</b>		<b>Enclosure: TEFC</b>	
<b>Nameplate Data</b>			<b>115 V, 60 Hz: Low Voltage Connection</b>		
<b>Rated Output (HP)</b>	.5	<b>Full Load Torque</b>	1.5 LB-FT		
<b>Volts</b>	115/230	<b>Start Configuration</b>	direct on line		
<b>Full Load Amps</b>	4.6/2.3	<b>Breakdown Torque</b>	3.6 LB-FT		
<b>R.P.M.</b>	1745	<b>Pull-up Torque</b>	3.1 LB-FT		
<b>Hz</b>	60 <b>Phase</b>	1	<b>Locked-rotor Torque</b>	3.7 LB-FT	
<b>NEMA Design Code</b>	N	<b>KVA Code</b>	K	<b>Starting Current</b>	36.2 A
<b>Service Factor (S.F.)</b>	1.25		<b>No-load Current</b>	2 A	
<b>NEMA Nom. Eff.</b>	78.5	<b>Power Factor</b>	89	<b>Line-line Res. @ 25°C</b>	1.18 Ω A Ph 4.17 Ω B Ph
<b>Rating - Duty</b>	40C AMB-CONT		<b>Temp. Rise @ Rated Load</b>	57°C	
<b>S.F. Amps</b>	5.6/2.8		<b>Temp. Rise @ S.F. Load</b>	71°C	

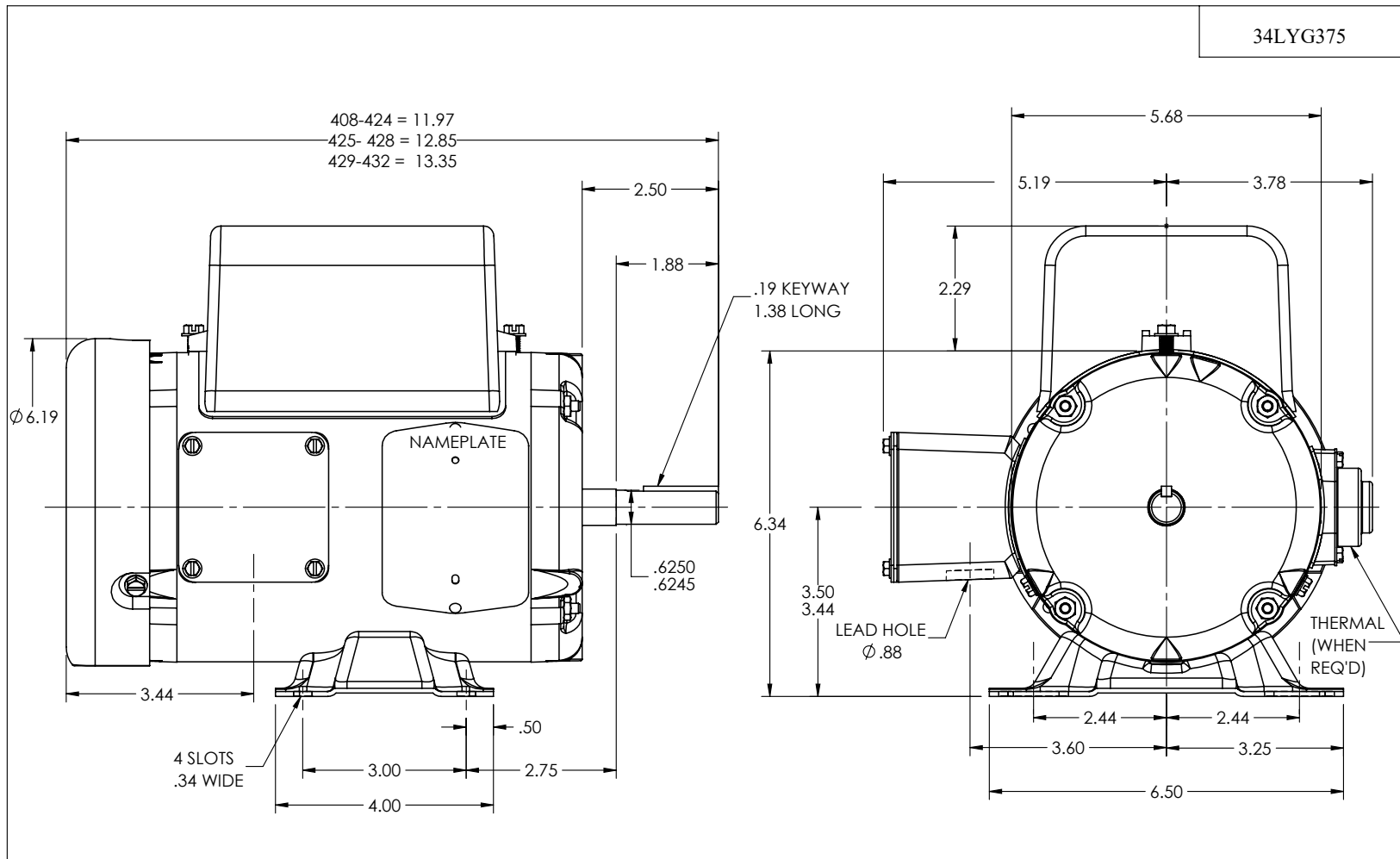
**Load Characteristics 115 V, 60 Hz, 0.5 HP**

<b>% of Rated Load</b>	<b>25</b>	<b>50</b>	<b>75</b>	<b>100</b>	<b>125</b>	<b>150</b>	<b>S.F.</b>
<b>Power Factor</b>	73	81	89	89	91	92	91
<b>Efficiency</b>	57	72.4	76.9	78.5	78.1	75.9	78.1
<b>Speed</b>	1786	1773	1758	1742	1722	1699	1722
<b>Line amperes</b>	2	2.8	3.6	4.6	5.6	6.8	5.6

Performance Graph at 115V, 60Hz, 0.5HP Typical performance - Not guaranteed values







34LYG375

34LYG375

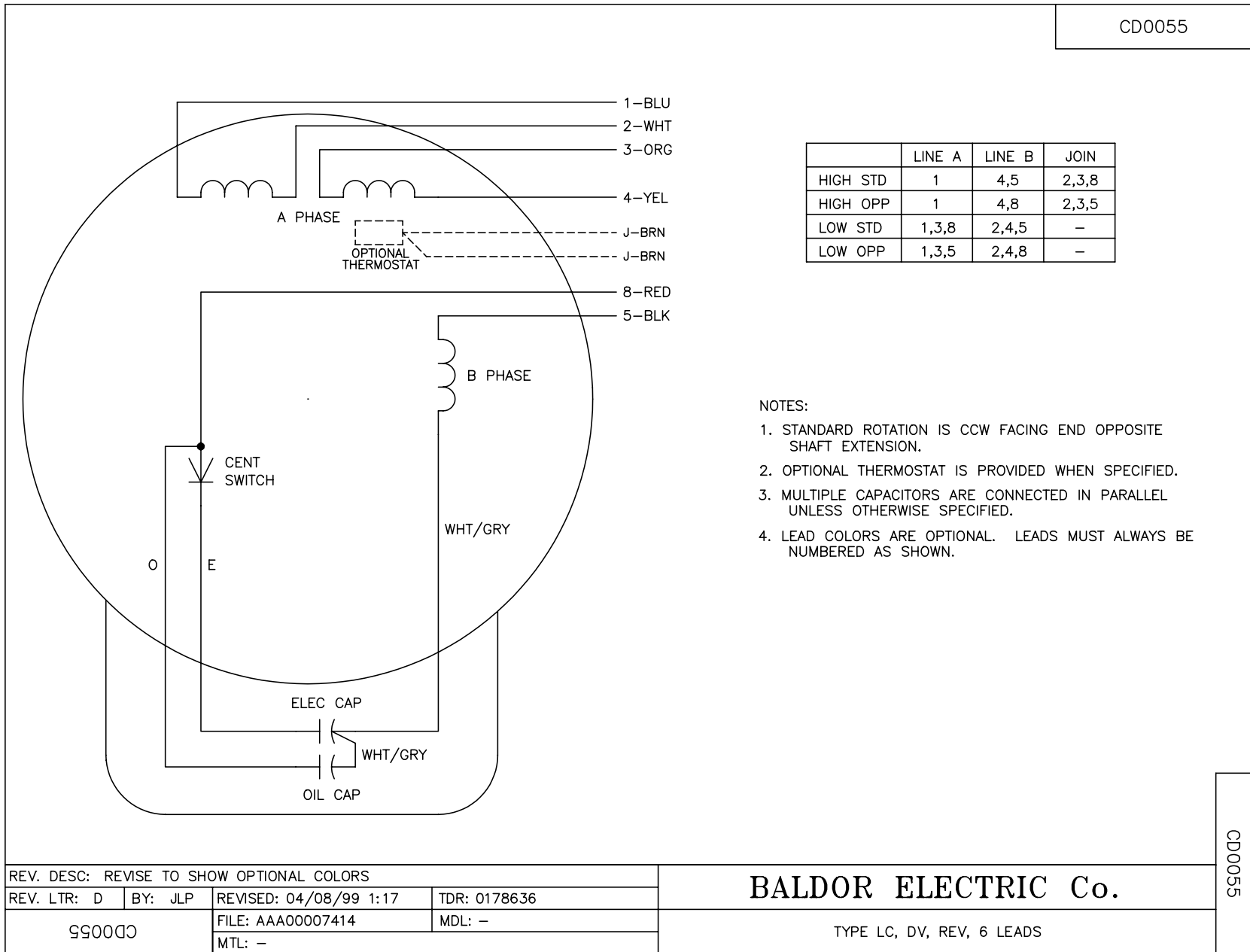
CUSTOMER IS RESPONSIBLE FOR DETERMINING THAT THE PRODUCT WILL PERFORM SUITABLY IN THE INTENDED APPLICATION

REV. DESC: LOAD TO SOLIDWORKS			
REV: E	VERSION: 04	REVISED: 03:58:39 08/09/2022	TDR: 000001194274
34LYG375		MODEL NO. 34LYG375	REF: -
		BY: ENFRAJ0	

**BALDOR - RELIANCE®**

HORZ 34LC NEMA 56 TEFC

CD0055



REV. DESC: REVISE TO SHOW OPTIONAL COLORS			
REV. LTR: D	BY: JLP	REVISED: 04/08/99 1:17	TDR: 0178636
99000		FILE: AAA00007414	MDL: -
		MTL: -	

**BALDOR ELECTRIC Co.**

TYPE LC, DV, REV, 6 LEADS

CD0055