

**BALDOR® • RELIANCE** 

**Product Information Packet**

**EM2513T-5**

**15HP, 1765RPM, 3PH, 60HZ, 254T, 3948M, OPSB, F1**

Part Detail							
Revision:	F	Status:	PRD/A	Change #:		Proprietary:	No
Type:	AC	Elec. Spec:	39WGY386	CD Diagram:	CD0006	Mfg Plant:	
Mech. Spec:	39K57	Layout:	39LYK057	Poles:	04	Created Date:	10-02-2017
Base:	RG	Eff. Date:	10-22-2021	Leads:	3#12		

Specs			
Catalog Number:	EM2513T-5	Inverter Code:	Inverter Ready
Enclosure:	OPSB	KVA Code:	H
Frame:	254T	Lifting Lugs:	Standard Lifting Lugs
Frame Material:	Steel	Locked Bearing Indicator:	No Locked Bearing
Output @ Frequency:	15.000 HP @ 60 HZ	Motor Lead Quantity/Wire Size:	3 @ 12 AWG
Synchronous Speed @ Frequency:	1800 RPM @ 60 HZ	Motor Lead Exit:	Ko Box
Voltage @ Frequency:	575.0 V @ 60 HZ	Motor Lead Termination:	Flying Leads
XP Class and Group:	None	Motor Type:	3948M
XP Division:	Not Applicable	Mounting Arrangement:	F1
Agency Approvals:	CSA	Power Factor:	85
	CSA EEV	Product Family:	General Purpose
	UR	Pulley End Bearing Type:	Ball
Auxillary Box:	No Auxillary Box	Pulley Face Code:	Standard
Auxillary Box Lead Termination:	None	Pulley Shaft Indicator:	Standard
Base Indicator:	Rigid	Rodent Screen:	None
Bearing Grease Type:	Polyrex EM (-20F +300F)	Shaft Extension Location:	Pulley End
Blower:	None	Shaft Ground Indicator:	No Shaft Grounding
Current @ Voltage:	14.200 A @ 575.0 V	Shaft Rotation:	Reversible

<b>Design Code:</b>	A	<b>Shaft Slinger Indicator:</b>	No Slinger
<b>Drip Cover:</b>	No Drip Cover	<b>Speed Code:</b>	Single Speed
<b>Duty Rating:</b>	CONT	<b>Motor Standards:</b>	NEMA
<b>Electrically Isolated Bearing:</b>	Not Electrically Isolated	<b>Starting Method:</b>	Direct on line
<b>Feedback Device:</b>	NO FEEDBACK	<b>Thermal Device - Bearing:</b>	None
<b>Front Face Code:</b>	Standard	<b>Thermal Device - Winding:</b>	None
<b>Front Shaft Indicator:</b>	None	<b>Vibration Sensor Indicator:</b>	No Vibration Sensor
<b>Heater Indicator:</b>	No Heater	<b>Winding Thermal 1:</b>	None
<b>Insulation Class:</b>	F	<b>Winding Thermal 2:</b>	None

<b>Nameplate NP3553L</b>										
<b>CAT.NO.</b>	EM2513T-5									
<b>SPEC</b>	39K057Y386									
<b>HP</b>	15									
<b>VOLTS</b>	575									
<b>AMPS</b>	14.2									
<b>RPM</b>	1765									
<b>FRAME</b>	254T				<b>HZ</b>	60			<b>PH</b>	3
<b>SF</b>	1.15		<b>CODE</b>	H	<b>DES</b>	A		<b>CLASS</b>	F	
<b>NEMA NOM. EFF</b>	93		<b>PF</b>	85						
<b>RATING</b>	40C AMB-CONT									
<b>CC</b>	010A				<b>USABLE AT 208V</b>					
<b>ENCL</b>	OPSB		<b>SER</b>							
<b>DE</b>	6309			<b>ODE</b>	6208					
<b>VPWM INVERTER READY</b>										
<b>CT30-60(2:1) VT3-60(20:1)</b>										

**AC Induction Motor Performance Data**

Record # 67097

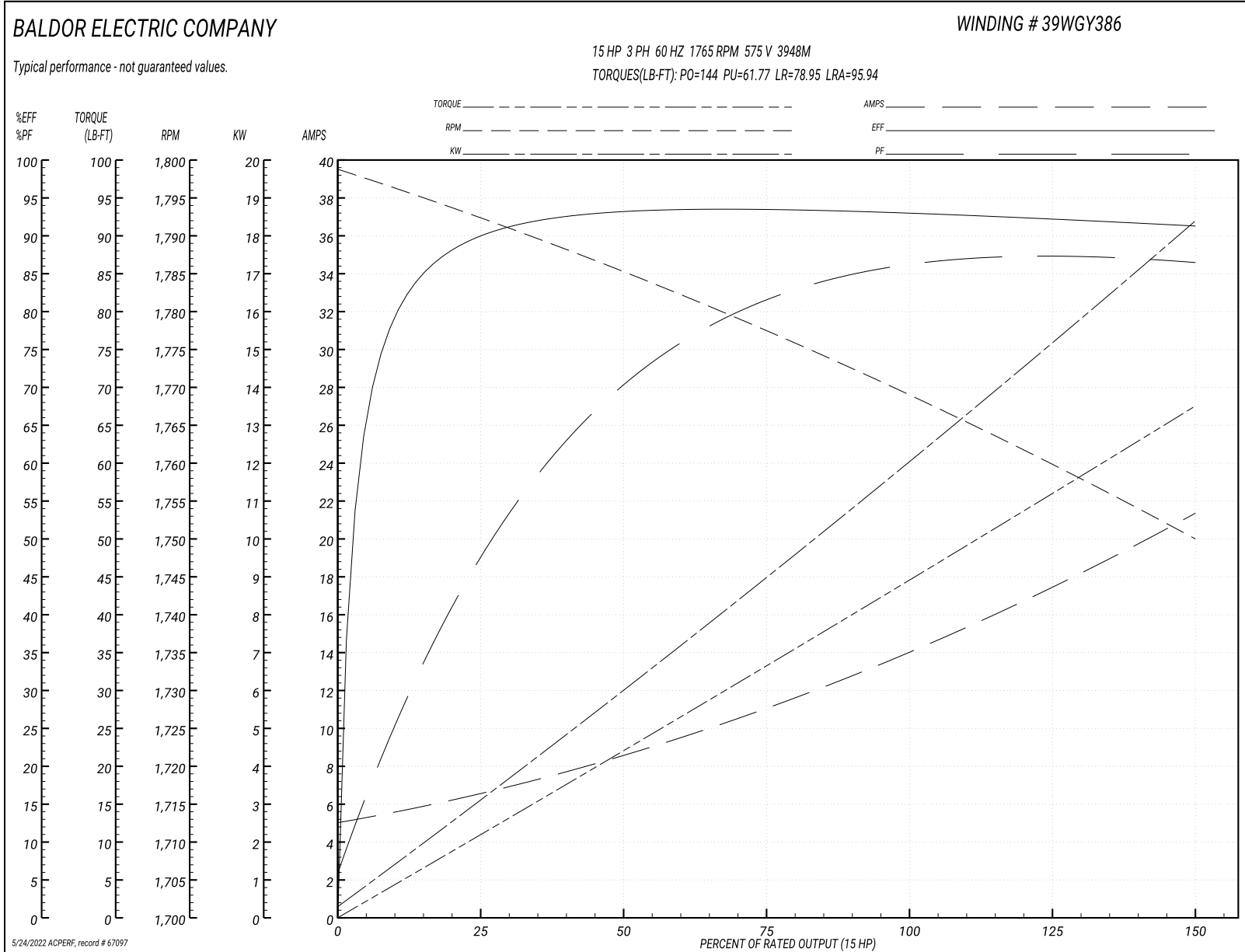
Typical performance - not guaranteed values

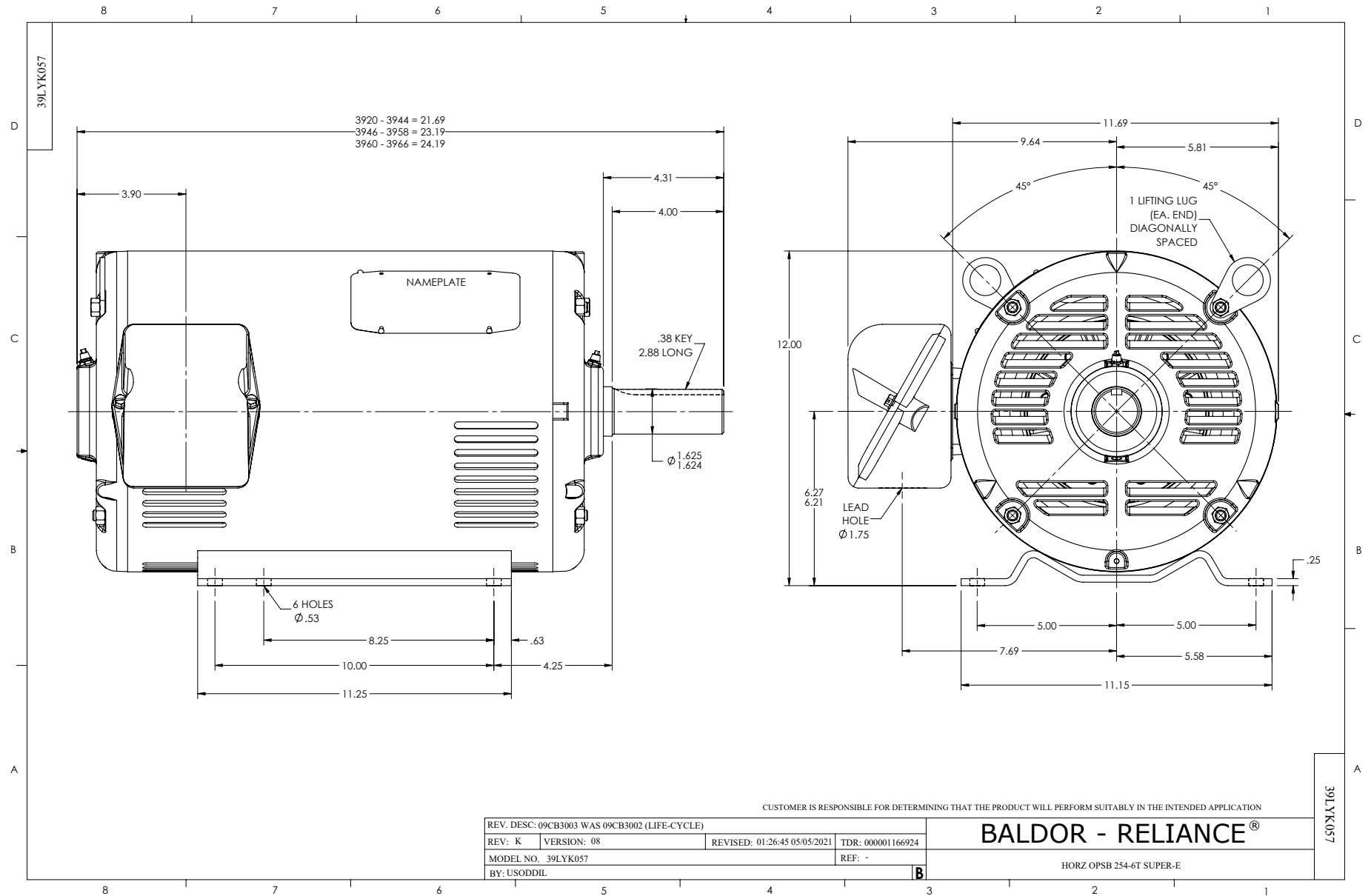
Winding: 39WGY386-R001		Type: 3948M	Enclosure: OPSB
<b>Nameplate Data</b>		<b>575 V, 60 Hz: Single Voltage Motor</b>	
Rated Output (HP)	15	Full Load Torque	44.51 LB-FT
Volts	575	Start Configuration	direct on line
Full Load Amps	14.2	Breakdown Torque	144 LB-FT
R.P.M.	1765	Pull-up Torque	61.77 LB-FT
Hz	60 Phase	Locked-rotor Torque	78.95 LB-FT
NEMA Design Code	A KVA Code	Starting Current	95.94 A
Service Factor (S.F.)	1.15	No-load Current	5.26 A
NEMA Nom. Eff.	93 Power Factor	Line-line Res. @ 25°C	0.906 Ω
Rating - Duty	40C AMB-CONT	Temp. Rise @ Rated Load	26°C
S.F. Amps		Temp. Rise @ S.F. Load	32°C
		Locked-rotor Power Factor	33
		Rotor inertia	2.1 lb-ft <sup>2</sup>

**Load Characteristics 575 V, 60 Hz, 15 HP**

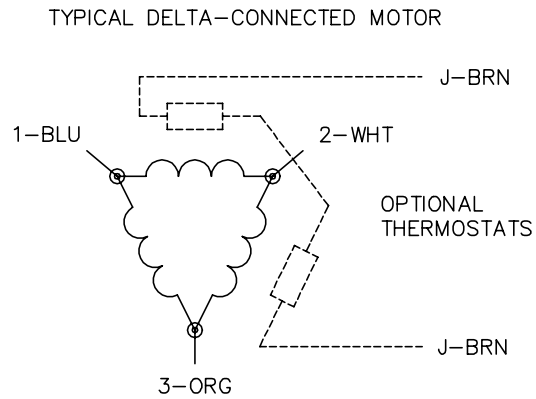
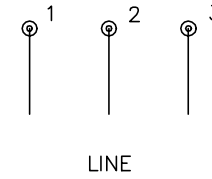
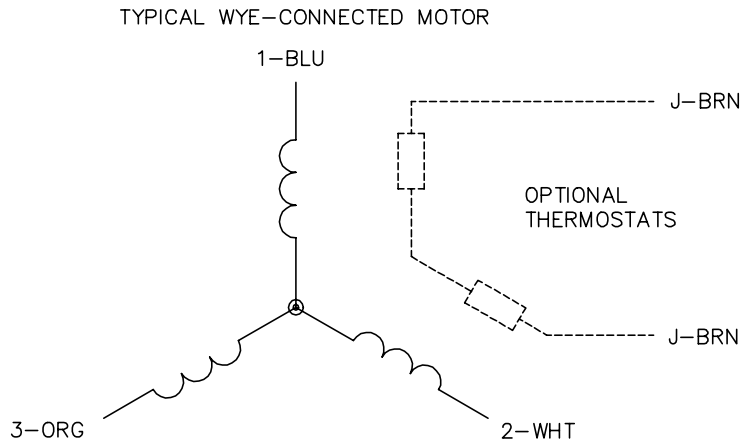
% of Rated Load	25	50	75	100	125	150	S.F.
Power Factor	50	72	81	85	87	87	86
Efficiency	89.8	93	93.4	93	92.3	91.2	92.6
Speed	1792	1785	1778	1769	1760	1750	1764
Line amperes	6.27	8.43	11.11	14.21	17.47	21.2	16.2

Performance Graph at 575V, 60Hz, 15.0HP Typical performance - Not guaranteed values





CD0006



NOTES:

1. THREE LEAD MOTOR MAY BE EITHER WYE CONNECTED OR DELTA CONNECTED.
2. INTERCHANGE ANY TWO LINE LEADS TO REVERSE ROTATION.
3. OPTIONAL THERMOSTATS ARE PROVIDED WHEN SPECIFIED.
4. ACTUAL NUMBER OF INTERNAL PARALLEL CIRCUITS MAY VARY.
5. LEAD COLORS ARE OPTIONAL. LEADS MUST BE NUMBERED AS SHOWN.

CD0006

REV. DESC: ADD CLASS CONN00000007		
REV. LTR: E	VERSION: 01	TDR: 000001099922
FILE: \AAA\00005\141	REVISED: 10:24:49 02/19/2019	BY: ENBRIRO
MTL: -	© □	

**BALDOR - RELIANCE®**

3PH, SV, 3 LEADS, WYE OR DELTA CONNECTED

SH 1 of 1