

BALDOR® • RELIANCE 

Product Information Packet

EM2540T-CI

40HP, 1185RPM, 3PH, 60HZ, 364T, 1458M, OPEN, F1

Part Detail							
Revision:	M	Status:	PRD/A	Change #:		Proprietary:	No
Type:	AC	Elec. Spec:	A36WG0752	CD Diagram:	416820-002	Mfg Plant:	
Mech. Spec:		Layout:	617428-115	Poles:	06	Created Date:	10-19-2010
Base:		Eff. Date:	11-22-2017	Leads:	3#4,6#6		

Specs			
Catalog Number:	EM2540T-CI	Feedback Device:	NO FEEDBACK
Enclosure:	DP	Heater Indicator:	No Heater
Frame:	364T	Insulation Class:	F
Frame Material:	Iron	Inverter Code:	Not Inverter
Output @ Frequency:	40.000 HP @ 60 HZ	IP Rating:	NONE
Synchronous Speed @ Frequency:	1200 RPM @ 60 HZ	KVA Code:	G
Voltage @ Frequency:	230.0 V @ 60 HZ	Lifting Lugs:	Standard Lifting Lugs
	460.0 V @ 60 HZ	Motor Lead Quantity/Wire Size:	3 @ 4 AWG
XP Class and Group:	None	Motor Type:	A36062M
XP Division:	Not Applicable	Mounting Arrangement:	F1
Agency Approvals:	CCSA US	Power Factor:	81
	CSA EEV	Pulley End Bearing Type:	Ball
Auxillary Box:	No Auxillary Box	Pulley Face Code:	Standard
Base Indicator:	Rigid	Shaft Ground Indicator:	No Shaft Grounding
Bearing Grease Type:	Polyrex EM (-20F +300F)	Shaft Rotation:	Reversible
Current @ Voltage:	49.400 A @ 460.0 V	Shaft Slinger Indicator:	No Slinger
	98.800 A @ 230.0 V	Speed Code:	Single Speed
Design Code:	B	Motor Standards:	NEMA

Drip Cover:	No Drip Cover	Starting Method:	Direct on line
Duty Rating:	CONT	Thermal Device - Bearing:	None
		Thermal Device - Winding:	None

Nameplate NP2383L										
CAT.NO.	EM2540T-CI			SPEC NO.	P36G3402					
HP	40	AMPS	98.8/49.4		VOLTS	230/460		DESIGN	B	
FRAME	364T	RPM	1190	HZ	60	AMB	40	SF	1.15	
DRIVE END BEARING	65BC03J30X			PHASE	3	DUTY	CONT		INSUL.CLASS	F
OPP D.E. BEARING	65BC03J30X			TYPE	P	ENCL	DP	CODE	G	
SER.NO.				POWER FACTOR	80.5		NEMA-NOM-EFFICIENCY	94.1		
NEMA NOM/CSA QUOTED EFF				MAX CORR KVAR	12.0		GUARANTEED EFFICIENCY	93.6		
				MOTOR WEIGHT						

REL. S.O.	FRAME	HP	TYPE	PHASE/HERTZ	RPM	VOLTS
	364VPZ	40	P	3/60	1190	230/460
AMPS	DUTY	AMB °C/ INSUL.	S.F.	NEMA DESIGN	CODE LETTER	ENCL.
98.8/49.4	CONT	40/F	1.15	B	G	DP
E/S	ROTOR	TEST S.O.	TEST DATE	STATOR RES. @25 °C OHMS (BETWEEN LINES)		
491378	418141-71JE	---	---	.0380/.152		

PERFORMANCE


LOAD	HP	AMPERES	RPM	POWER FACTOR %	EFFICIENCY %
NO LOAD	0	17.8	1200	5.94	0
1/4	10.0	21.6	1197	48.6	89.2
2/4	20.0	29.0	1194	69.3	93.2
3/4	30.0	38.5	1191	77.4	94.1
4/4	40.0	49.4	1188	80.6	94.1
5/4	50.0	61.0	1184	82.0	93.6

SPEED TORQUE

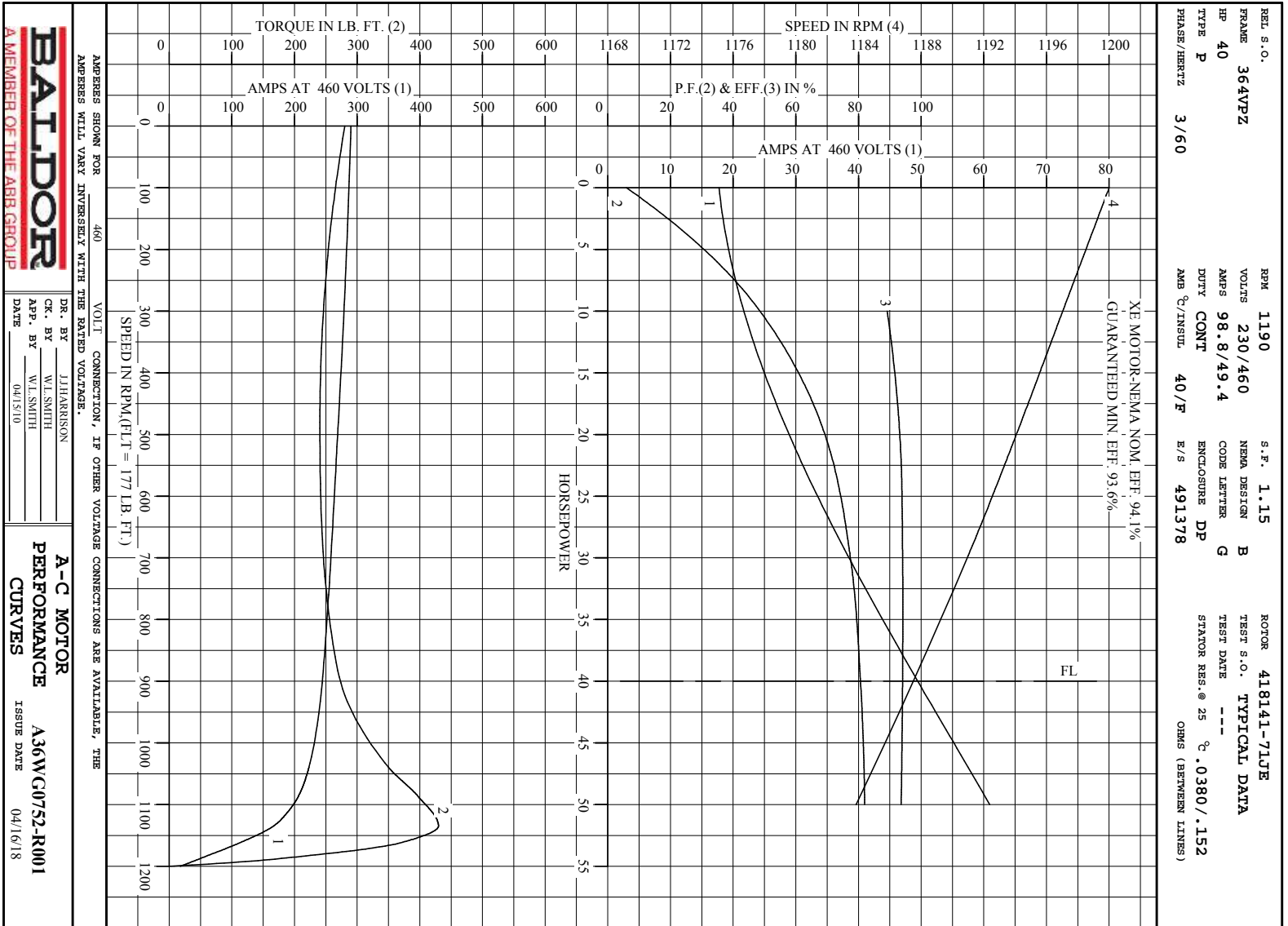
	RPM	TORQUE % FULL LOAD	TORQUE LB.-FT.	AMPERES
LOCKED ROTOR	0	158	280	290
PULL UP	480	136	241	270
BREAKDOWN	1135	243	430	167
FULL LOAD	1188	100	177	49.4

AMPERES SHOWN FOR 460. VOLT CONNECTION. IF OTHER VOLTAGE CONNECTIONS ARE AVAILABLE, THE AMPERES WILL VARY INVERSELY WITH THE RATED VOLTAGE

REMARKS : TYPICAL DATA
 XE MOTOR-NEMA NOM. EFF. 94.1%
 GUARANTEED MIN. EFF. 93.6%

 <p>A MEMBER OF THE ABB GROUP</p>	DR. BY <u>J.J. HARRISON</u> CK. BY <u>W.L. SMITH</u> APP. BY <u>W.L. SMITH</u> DATE <u>04/15/10</u>	A-C MOTOR PERFORMANCE DATA A36WG0752-R001 ISSUE DATE 04/16/18
--------------------------------------------------------------------------------------------------------------------	--------------------------------------------------------------------------------------------------------------	------------------------------------------------------------------------

C/R



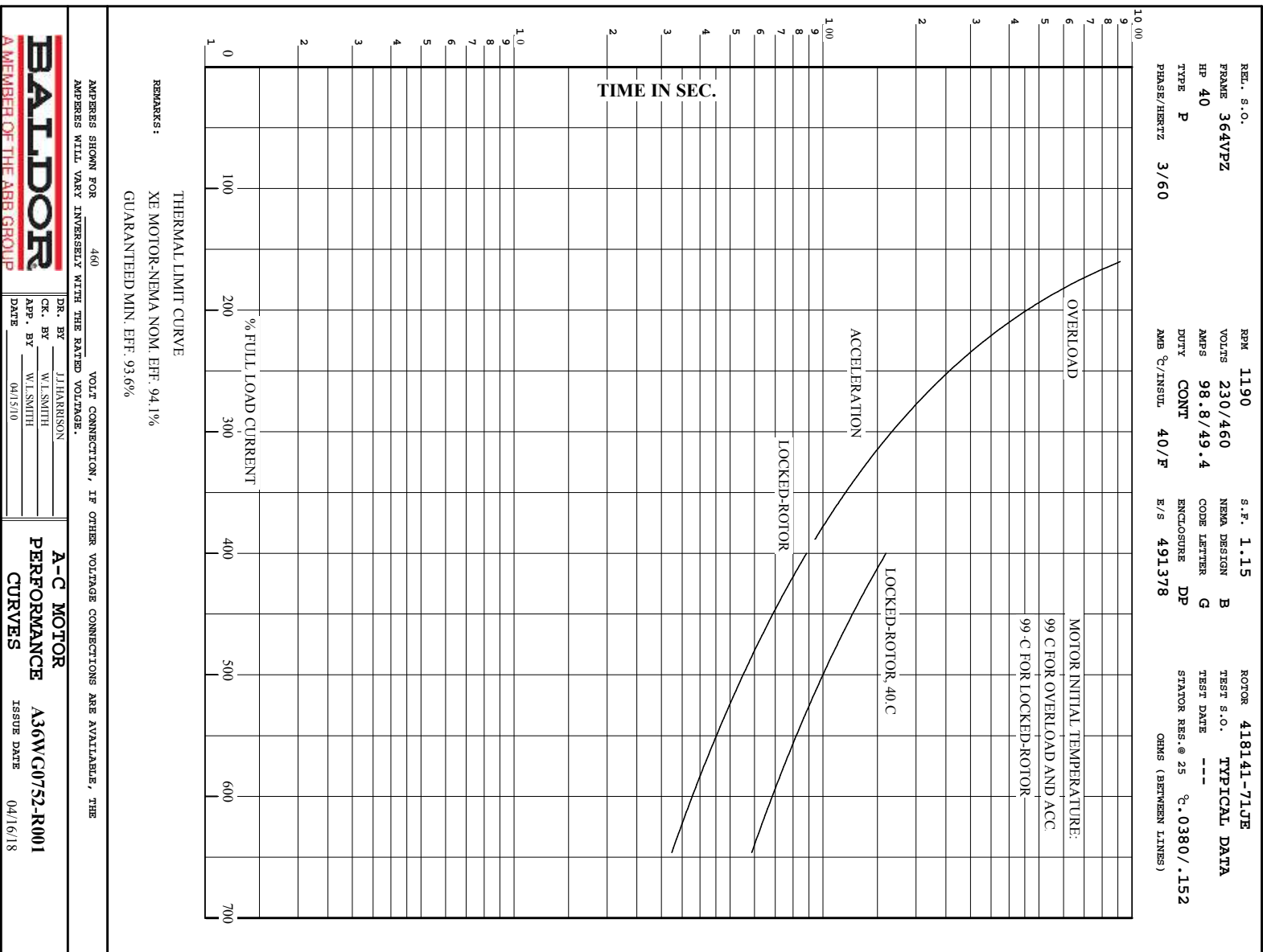
C/R



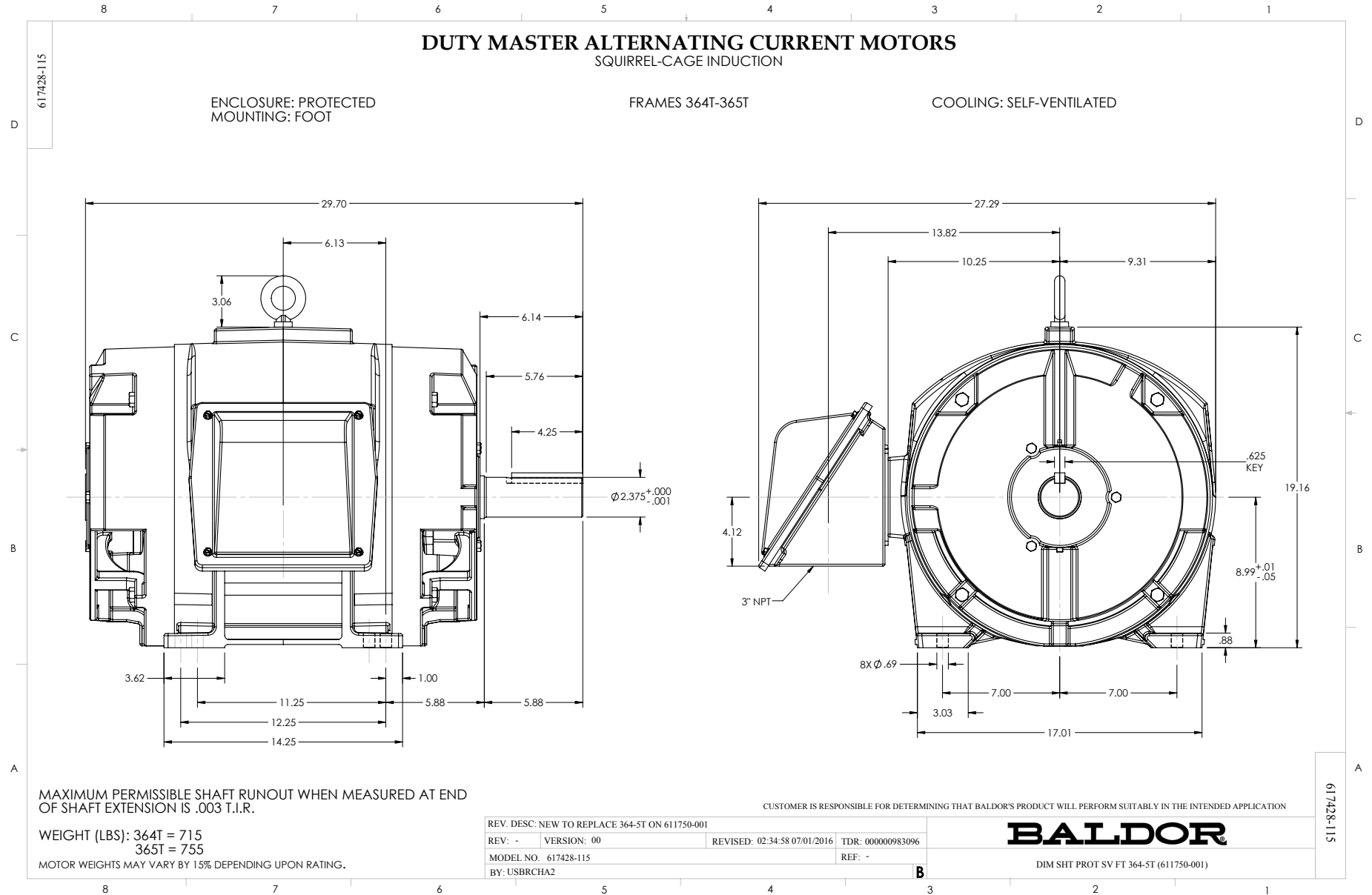
DR. BY J. HARRISON
 CK. BY W. SMITH
 APP. BY W. SMITH
 DATE 04/15/10

A-C MOTOR
PERFORMANCE
CURVES
A36W0752-R001
 ISSUE DATE 04/16/18

Printed on 4/16/18 14:38 @ bengap01.baldor.com

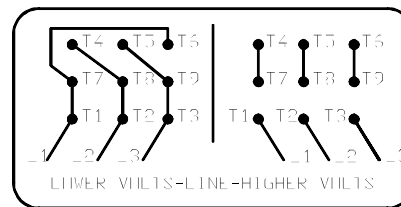
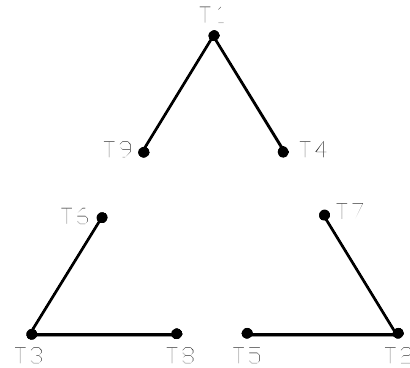


C/R



416820-002

A-C MOTOR
 CONNECTION DIAGRAM
 STANDARD 9 LEAD DELTA-CONNECTED



(N.P. 1575-B)

416820-002

REV. DESC: FONT CHANGE FOR PDF SEARCHABLE		
REV. LTR: A	VERSION: 01	TDR: 000001009382
FILE: \MGA\00000\661	REVISED: 02:46:19 02/13/2020	BY: MGHMTT
MTL: -	⊙ □	

BALDOR - RELIANCE®

CONN DIAG - STANDARD 9 LEAD, DELTA-CONNECTED

SH 1 of 1