

BALDOR® • RELIANCE 

Product Information Packet

EM2551T-5

75HP, 1775RPM, 3PH, 60HZ, 365T, 4462M, OPSB, F1

Part Detail							
Revision:	P	Status:	PRD/A	Change #:		Proprietary:	No
Type:	AC	Elec. Spec:	44WG317	CD Diagram:	CD0006	Mfg Plant:	
Mech. Spec:	44E196	Layout:	44LYE196	Poles:	04	Created Date:	08-03-2010
Base:	RG	Eff. Date:	06-26-2020	Leads:	3#6		

Specs			
Catalog Number:	EM2551T-5	KVA Code:	F
Enclosure:	OPSB	Lifting Lugs:	Standard Lifting Lugs
Frame:	365T	Locked Bearing Indicator:	Locked Bearing
Frame Material:	Steel	Motor Lead Quantity/Wire Size:	3 @ 6 AWG
Output @ Frequency:	75.000 HP @ 60 HZ	Motor Lead Exit:	Ko Box
Synchronous Speed @ Frequency:	1800 RPM @ 60 HZ	Motor Lead Termination:	Flying Leads
Voltage @ Frequency:	575.0 V @ 60 HZ	Motor Type:	4462M
Agency Approvals:	CSA	Mounting Arrangement:	F1
	CSA EEV	Power Factor:	85
	UR	Product Family:	General Purpose
Auxillary Box:	No Auxillary Box	Pulley End Bearing Type:	Ball
Auxillary Box Lead Termination:	None	Pulley Face Code:	Standard
Base Indicator:	Rigid	Pulley Shaft Indicator:	Standard
Bearing Grease Type:	Polyrex EM (-20F +300F)	Rodent Screen:	None
Blower:	None	Shaft Extension Location:	Pulley End
Current @ Voltage:	68.000 A @ 575.0 V	Shaft Ground Indicator:	No Shaft Grounding
Design Code:	B	Shaft Rotation:	Reversible
Drip Cover:	No Drip Cover	Shaft Slinger Indicator:	No Slinger

Duty Rating:	CONT	Speed Code:	Single Speed
Electrically Isolated Bearing:	Not Electrically Isolated	Motor Standards:	NEMA
Feedback Device:	NO FEEDBACK	Starting Method:	Direct on line
Front Face Code:	Standard	Thermal Device - Bearing:	None
Front Shaft Indicator:	None	Thermal Device - Winding:	None
Heater Indicator:	No Heater	Vibration Sensor Indicator:	No Vibration Sensor
Insulation Class:	F	Winding Thermal 1:	None
Inverter Code:	Inverter Ready	Winding Thermal 2:	None

Nameplate NP2138L											
CAT.NO.	EM2551T-5			P/N				ENCLOSURE	OPSB		
SPEC.	44E196W317		CC	010A		FRAME	365T		S/N		
HP	75			CLASS	F		HZ	60			
RPM	1775			PH	3		DES	B			
VOLT	575					KVA-CODE	F		ODE BRG	6312	
AMP	68					USABLE AT 208V					
RATING	40C AMB-CONT					GREASE	POLYREX EM				
NEMA-NOM-EFF	95	PF	85	SER.F.	1.15						
HTR-VOLTS				HTR-AMPS							

AC Induction Motor Performance Data

Record # 32043

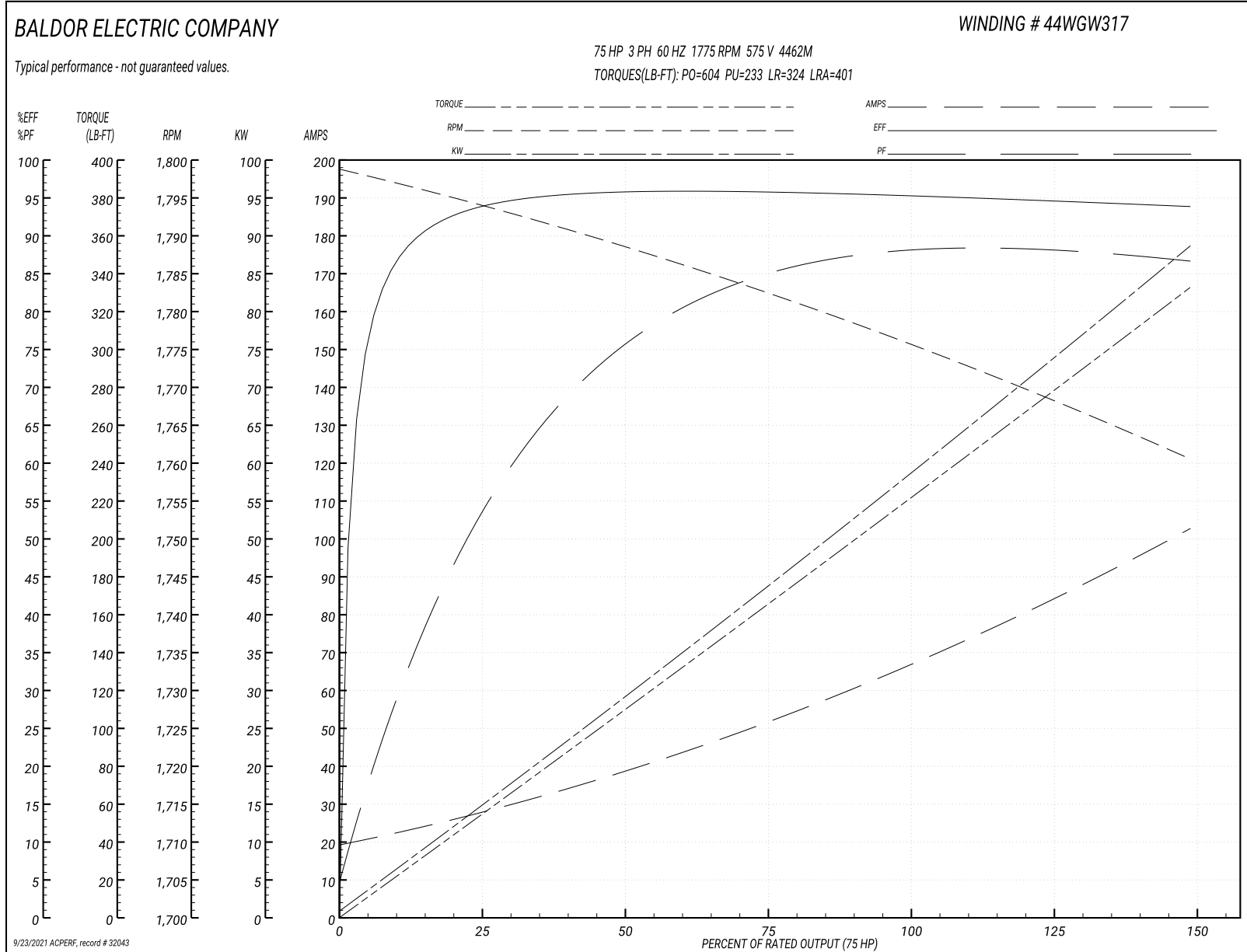
Typical performance - not guaranteed values

Winding: 44WG317-R001		Type: 4462M		Enclosure: OPEN	
Nameplate Data			575 V, 60 Hz: Single Voltage Motor		
Rated Output (HP)	75	Full Load Torque	222 LB-FT		
Volts	575	Start Configuration	direct on line		
Full Load Amps	68	Breakdown Torque	604 LB-FT		
R.P.M.	1775	Pull-up Torque	233 LB-FT		
Hz	60	Locked-rotor Torque	324 LB-FT		
NEMA Design Code	B	Starting Current	401 A		
Service Factor (S.F.)	1.15	No-load Current	20.4 A		
NEMA Nom. Eff.	95	Line-line Res. @ 25°C	0.126 Ω		
Rating - Duty	40C	Temp. Rise @ Rated Load	30°C		
S.F. Amps	AMB-CONT	Temp. Rise @ S.F. Load	37°C		
		Locked-rotor Power Factor	26		
		Rotor inertia	11.7 LB-FT ²		

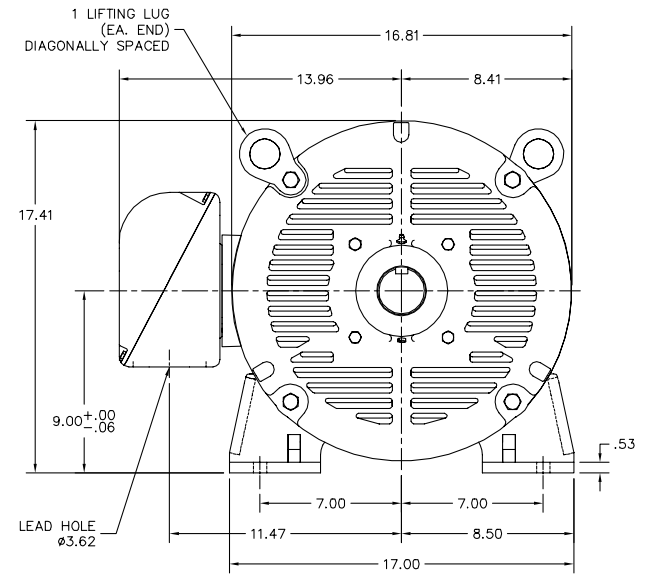
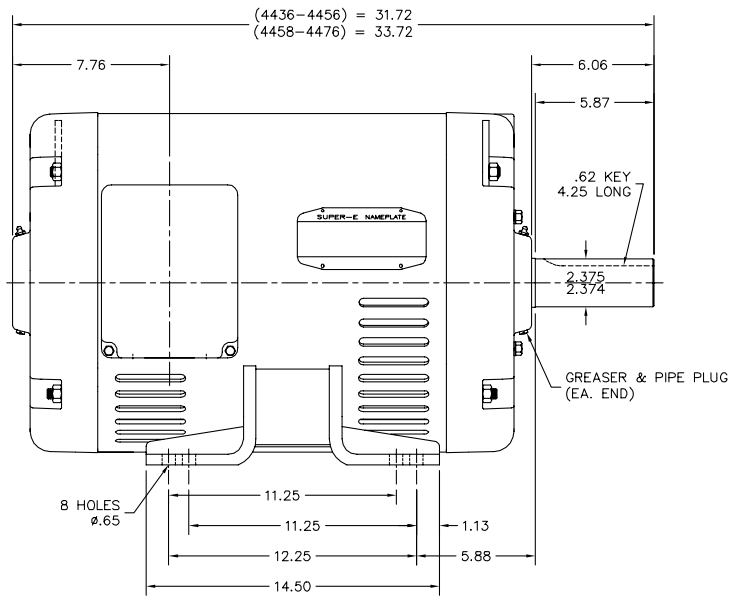
Load Characteristics 575 V, 60 Hz, 75 HP

% of Rated Load	25	50	75	100	125	150	S.F.
Power Factor	57	78	84	87	87	87	87
Efficiency	93.6	95.4	95.9	95.2	94.8	93.7	95
Speed	1794	1788	1782	1776	1769	1760	1772
Line amperes	26.5	38	52.5	68	84.6	102	78

Performance Graph at 575V, 60Hz, 75.0HP Typical performance - Not guaranteed values



44LYE196



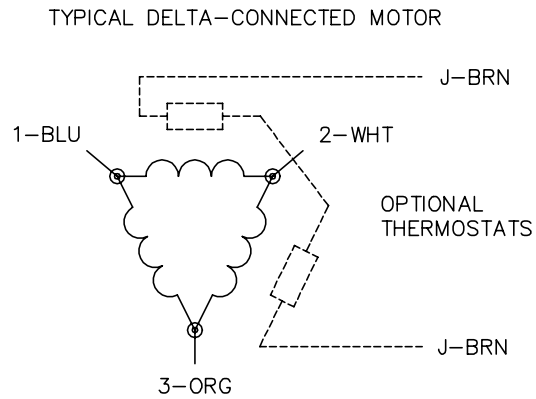
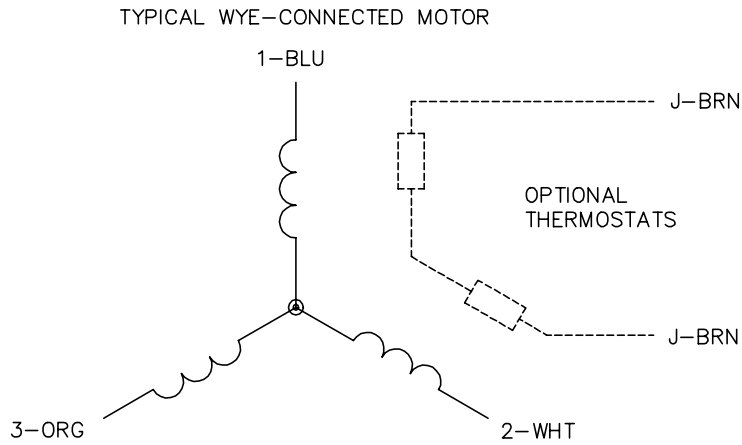
44LYE196

CUSTOMER IS RESPONSIBLE FOR DETERMINING THAT BALDOR'S PRODUCT WILL PERFORM SUITABLY IN THE INTENDED APPLICATION.

REV. DESC: UPDATED DESCRIPTION		
REV. LTR: A	VERSION: 01	TDR: 000000B55727
FILE: \AAA\00164\097	REVISED: 09:47:39 05/29/2014	BY: ENNINDO
MTL: -		

BALDOR
 HORZ OPSB 364-5T, SUPER-E
 SH 1 of 1

CD0006



NOTES:

1. THREE LEAD MOTOR MAY BE EITHER WYE CONNECTED OR DELTA CONNECTED.
2. INTERCHANGE ANY TWO LINE LEADS TO REVERSE ROTATION.
3. OPTIONAL THERMOSTATS ARE PROVIDED WHEN SPECIFIED.
4. ACTUAL NUMBER OF INTERNAL PARALLEL CIRCUITS MAY VARY.
5. LEAD COLORS ARE OPTIONAL. LEADS MUST BE NUMBERED AS SHOWN.

CD0006

REV. DESC: ADD CLASS CONN00000007		
REV. LTR: E	VERSION: 01	TDR: 000001099922
FILE: \AAA\00005\141	REVISED: 10:24:49 02/19/2019	BY: ENBRIRO
MTL: -	© □	

BALDOR - RELIANCE®

3PH, SV, 3 LEADS, WYE OR DELTA CONNECTED

SH 1 of 1