

**BALDOR® • RELIANCE** 

**Product Information Packet**

**EM2551T-8**

**75HP,1780RPM,3PH,60HZ,365T,A36056M,DP,F1**

Part Detail							
Revision:	K	Status:	PRD/A	Change #:		Proprietary:	No
Type:	AC	Elec. Spec:	A36WG1039	CD Diagram:	416820-015	Mfg Plant:	
Mech. Spec:		Layout:	617428-130	Poles:	04	Created Date:	09-23-2011
Base:		Eff. Date:	02-07-2023	Leads:	6#2		

Specs			
Catalog Number:	EM2551T-8	Heater Indicator:	No Heater
Enclosure:	DP	Insulation Class:	F
Frame:	365T	Inverter Code:	Inverter Ready
Frame Material:	Iron	KVA Code:	G
Motor Letter Type:	Three Phase	Lifting Lugs:	No Lifting Lugs
Output @ Frequency:	75.000 HP @ 60 HZ	Motor Lead Quantity/Wire Size:	6 @ 2 AWG
Synchronous Speed @ Frequency:	1800 RPM @ 60 HZ	Motor Type:	A36056M
Voltage @ Frequency:	200.0 V @ 60 HZ	Mounting Arrangement:	F1
XP Class and Group:	None	Power Factor:	86
XP Division:	Not Applicable	Product Family:	Other
Agency Approvals:	CCSAUSEEV	Pulley End Bearing Type:	Ball
Auxillary Box:	No Auxillary Box	Pulley Face Code:	Standard
Base Indicator:	Rigid	Shaft Ground Indicator:	No Shaft Grounding
Bearing Grease Type:	Polyrex EM (-20F +300F)	Shaft Rotation:	Reversible
Current @ Voltage:	198.950 A @ 200.0 V	Shaft Slinger Indicator:	Shaft Slinger
Design Code:	B	Speed Code:	Single Speed
Drip Cover:	No Drip Cover	Motor Standards:	Other
Duty Rating:	CONT	Starting Method:	Part Winding

<b>Feedback Device:</b>	NO FEEDBACK	<b>Thermal Device - Bearing:</b>	None
		<b>Thermal Device - Winding:</b>	None

## Nameplate NP2377L

CAT.NO.	EM2551T-8	SPEC NO.	P36G3422						
HP	75	AMPS	199	VOLTS	200	DESIGN	B		
FRAME	365T	RPM	1780	HZ	60	AMB	40	SF	1.15
DRIVE END BEARING	65BC03J30X	PHASE	3	DUTY	CONT	INSUL.CLASS	B		
OPP D.E. BEARING	65BC03J30X	TYPE	P	ENCL	DP	CODE	G		
SER.NO.		POWER FACTOR	86	NEMA-NOM-EFFICIENCY	95				
				MAX CORR KVAR	15	GUARANTEED EFFICIENCY	94.5		
				NEMA NOM/CSA QUOTED EFF					
				MOTOR WEIGHT					

Nameplate NP2496L



REL. S.O.	FRAME	HP	TYPE	PHASE/HERTZ	RPM	VOLTS
	365T	75	P	3/60	1780	200
AMPS	DUTY	AMB °C/INSUL.	S.F.	NEMA DESIGN	CODE LETTER	ENCL.
199	CONT	40/B	1.15	B	G	PBXE
E/S	ROTOR	TEST S.O.	TEST DATE	STATOR RES @25 °C OHMS (BETWEEN LINES)		
491496	418141-34-YE	---	---	.0170		

PERFORMANCE

LOAD	HP	AMPERES	RPM	POWER FACTOR %	EFFICIENCY %
NO LOAD	0	70.0	1800	3.67	0
1/4	18.8	84.2	1796	51.5	93.2
2/4	37.5	115	1791	73.5	95.3
3/4	56.2	155	1786	82.1	95.4
4/4	75.0	199	1781	85.5	95.0
5/4	93.8	248	1775	86.5	94.3

SPEED TORQUE

	RPM	TORQUE % FULL LOAD	TORQUE LB.-FT.	AMPERES
LOCKED ROTOR	0	178	393	1233
PULL UP	506	162	358	1164
BREAKDOWN	1701	252	557	706
FULL LOAD	1781	100	221	199

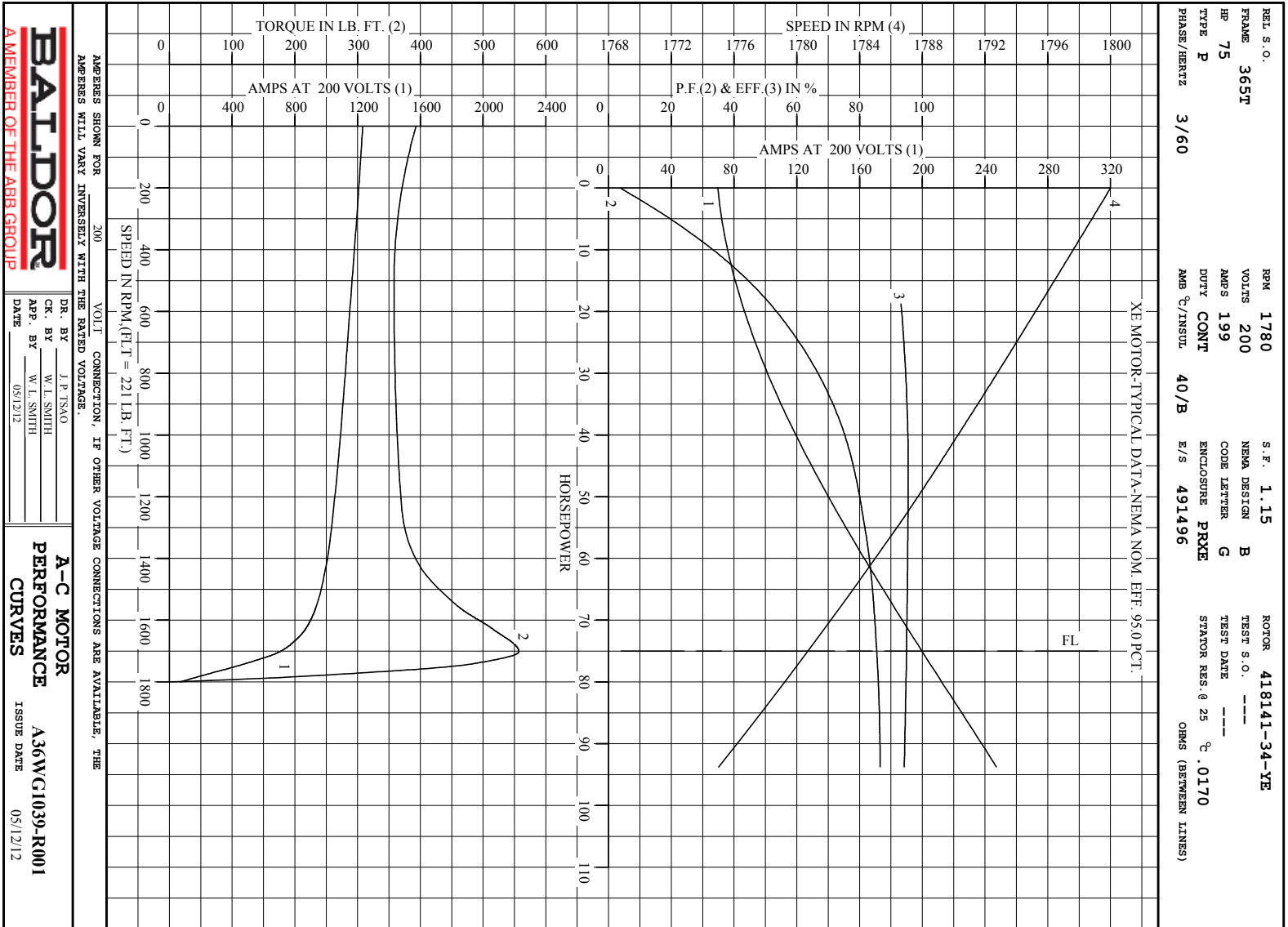
AMPERES SHOWN FOR 200. VOLT CONNECTION. IF OTHER VOLTAGE CONNECTIONS ARE AVAILABLE, THE AMPERES WILL VARY INVERSELY WITH THE RATED VOLTAGE

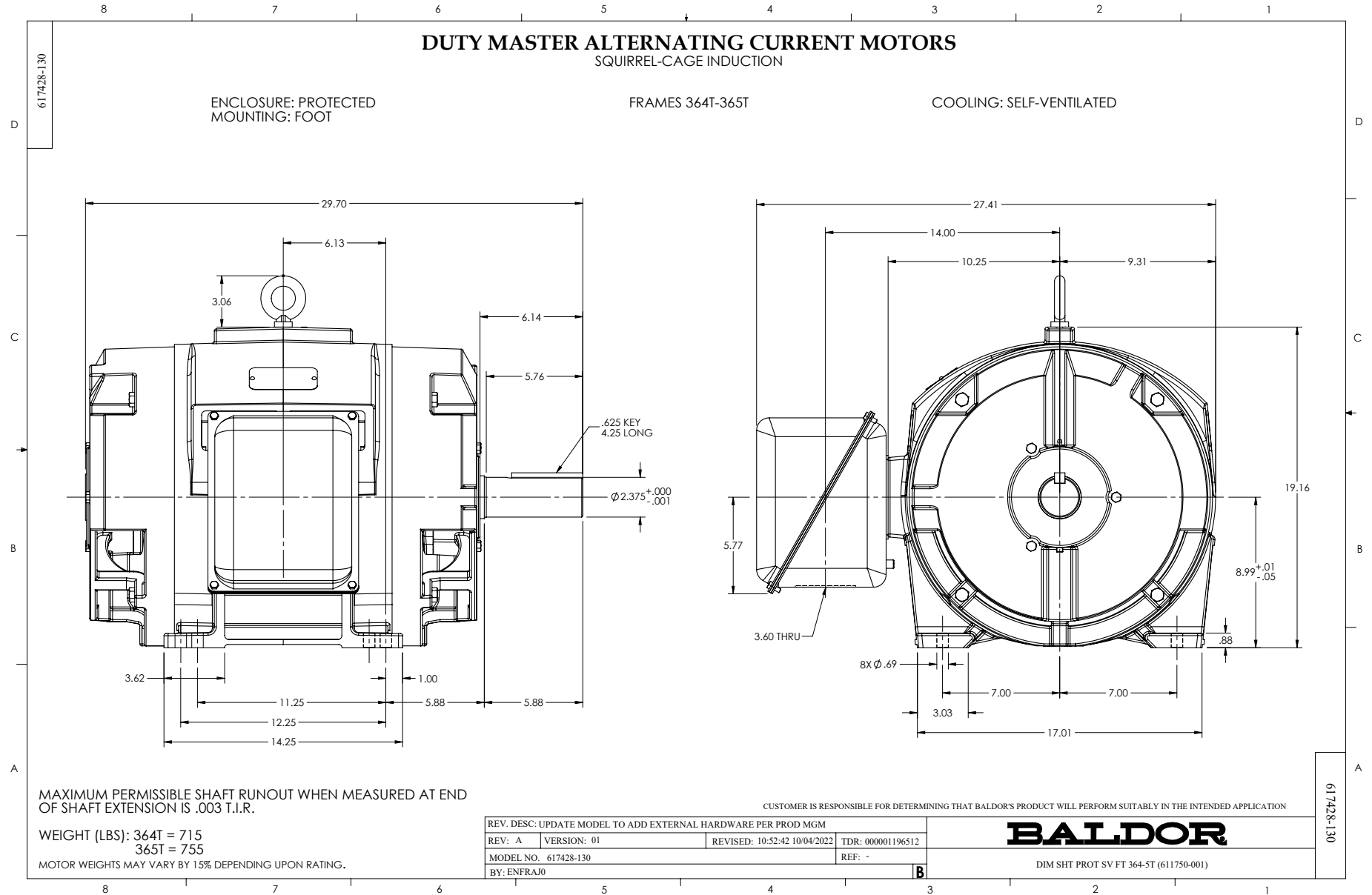
REMARKS : XE MOTOR-TYPICAL DATA-NEMA NOM. EFF. 95.0 PCT.



DR. BY J. P. TSNO  
 CK. BY W. I. SMITH  
 APP. BY W. I. SMITH  
 DATE 05/12/12

A-C MOTOR PERFORMANCE DATA  
 A36WG1039-R001  
 ISSUE DATE 05/12/12

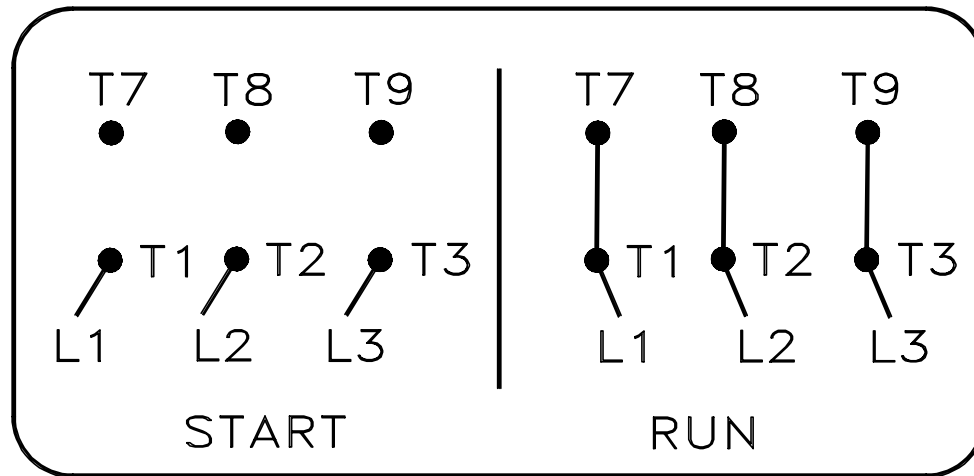






416820-015

# A-C MOTOR CONNECTION DIAGRAM PART WINDING START



(N.P. 1767-1-A)

416820-015

REV. DESC: -ADDED JUMPERS TO "RUN" CONNECTIONS		
REV. LTR: A	VERSION: 01	TDR: 000000558689
FILE: \MGA\00000\668	REVISED: 09: 44: 55 09/20/2010	
MTL: -	BY: MGH TLC	

**BALDOR**

CONN DIAG - PART WINDING START

SH 1 of 1