

BALDOR® • RELIANCE 

Product Information Packet

EM2559T-5

125HP, 1775RPM, 3PH, 60HZ, 405T, 4488M, OPSB, F

Part Detail							
Revision:	R	Status:	PRD/A	Change #:		Proprietary:	No
Type:	AC	Elec. Spec:	44WGW176	CD Diagram:	CD0006	Mfg Plant:	
Mech. Spec:	44E195	Layout:	44LYE195	Poles:	04	Created Date:	08-07-2009
Base:	RG	Eff. Date:	05-25-2023	Leads:	3#4		

Specs			
Catalog Number:	EM2559T-5	Inverter Code:	Inverter Ready
Enclosure:	OPSB	KVA Code:	G
Frame:	405T	Lifting Lugs:	Standard Lifting Lugs
Frame Material:	Steel	Locked Bearing Indicator:	Locked Bearing
Motor Letter Type:	Three Phase	Motor Lead Quantity/Wire Size:	3 @ 4 AWG
Output @ Frequency:	125.000 HP @ 60 HZ	Motor Lead Exit:	Ko Box
Synchronous Speed @ Frequency:	1800 RPM @ 60 HZ	Motor Lead Termination:	Flying Leads
Voltage @ Frequency:	575.0 V @ 60 HZ	Motor Type:	4488M
Agency Approvals:	CSA EEV	Mounting Arrangement:	F1
	NEMA PREMIUM	Power Factor:	86
	NEMA_PREMIUM	Product Family:	General Purpose
	UR	Pulley End Bearing Type:	Ball
Auxillary Box:	No Auxillary Box	Pulley Face Code:	Standard
Auxillary Box Lead Termination:	None	Pulley Shaft Indicator:	Standard
Base Indicator:	Rigid	Rodent Screen:	None
Bearing Grease Type:	Polyrex EM (-20F +300F)	Shaft Extension Location:	Pulley End
Blower:	None	Shaft Ground Indicator:	No Shaft Grounding
Current @ Voltage:	114.000 A @ 575.0 V	Shaft Rotation:	Reversible

Design Code:	B	Shaft Slinger Indicator:	No Slinger
Drip Cover:	No Drip Cover	Speed Code:	Single Speed
Duty Rating:	CONT	Motor Standards:	NEMA
Electrically Isolated Bearing:	Not Electrically Isolated	Starting Method:	Direct on line
Feedback Device:	NO FEEDBACK	Thermal Device - Bearing:	None
Front Face Code:	Standard	Thermal Device - Winding:	None
Front Shaft Indicator:	None	Vibration Sensor Indicator:	No Vibration Sensor
Heater Indicator:	No Heater	Winding Thermal 1:	None
Insulation Class:	F	Winding Thermal 2:	None

Nameplate NP2138L											
CAT.NO.	EM2559T-5			P/N				ENCLOSURE	OPSB		
SPEC.	44E195W176G2		CC	010A		FRAME	405T		S/N		
HP	125			CLASS	F		HZ	60			
RPM	1775			PH	3		DES	B			
VOLT	575					KVA-CODE	G		ODE BRG	6312	
AMP	114					USABLE AT 208V	N/A				
RATING	40C AMB-CONT					GREASE	POLYREX EM				
NEMA-NOM-EFF	95.4		PF	86		SER.F.	1.15				
HTR-VOLTS			HTR-AMPS								

AC Induction Motor Performance Data

Record # 24137

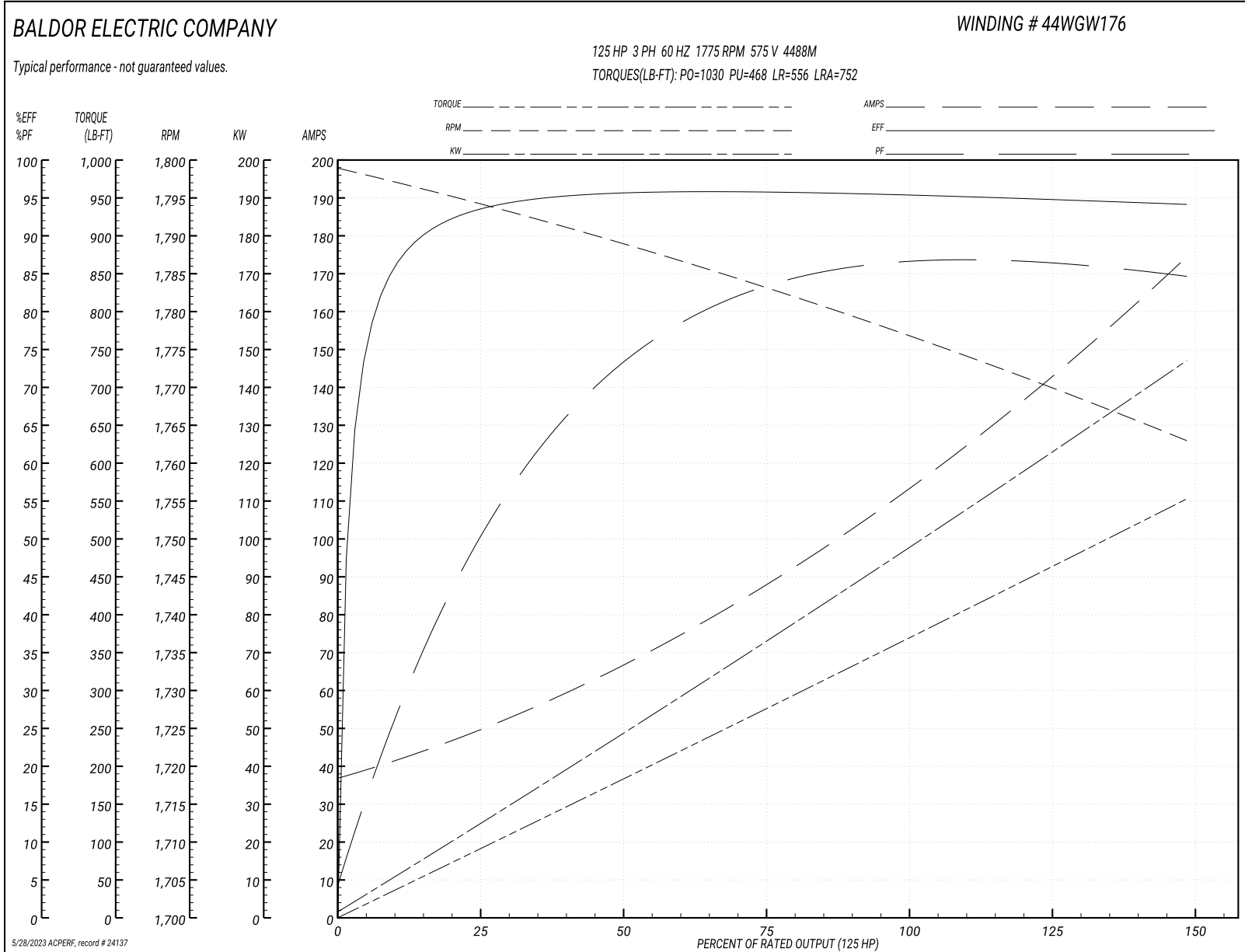
Typical performance - not guaranteed values

Winding: 44WGW176-R001		Type: 4488M		Enclosure: OPSB	
Nameplate Data			575 V, 60 Hz: Single Voltage Motor		
Rated Output (HP)	125	Full Load Torque	369 LB-FT		
Volts	575	Start Configuration	direct on line		
Full Load Amps	114	Breakdown Torque	1030 LB-FT		
R.P.M.	1775	Pull-up Torque	468 LB-FT		
Hz	60 Phase	3	Locked-rotor Torque	556 LB-FT	
NEMA Design Code	B KVA Code	G	Starting Current	752 A	
Service Factor (S.F.)	1.15	No-load Current	39 A		
NEMA Nom. Eff.	95.4	Power Factor	86	Line-line Res. @ 25°C	0.0581 Ω
Rating - Duty	40C AMB-CONT		Temp. Rise @ Rated Load	48°C	
S.F. Amps			Temp. Rise @ S.F. Load	58°C	
			Locked-rotor Power Factor	25	
			Rotor inertia	16.6 LB-FT ²	

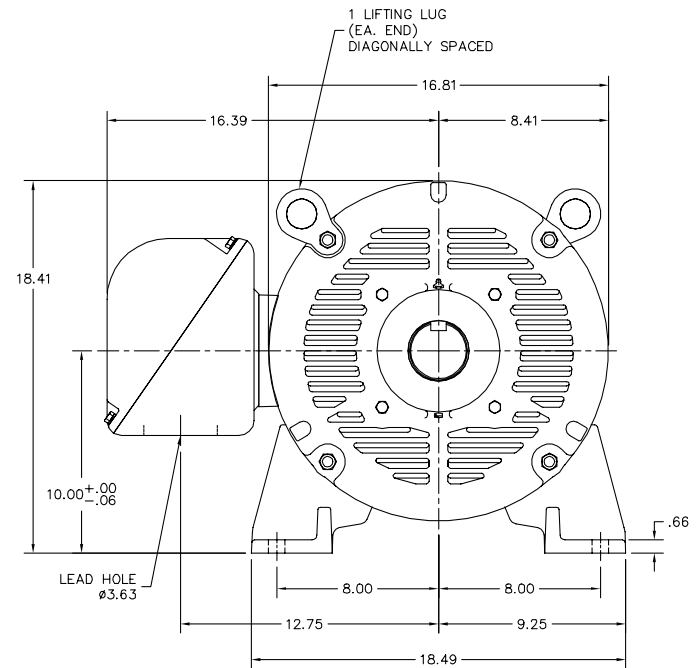
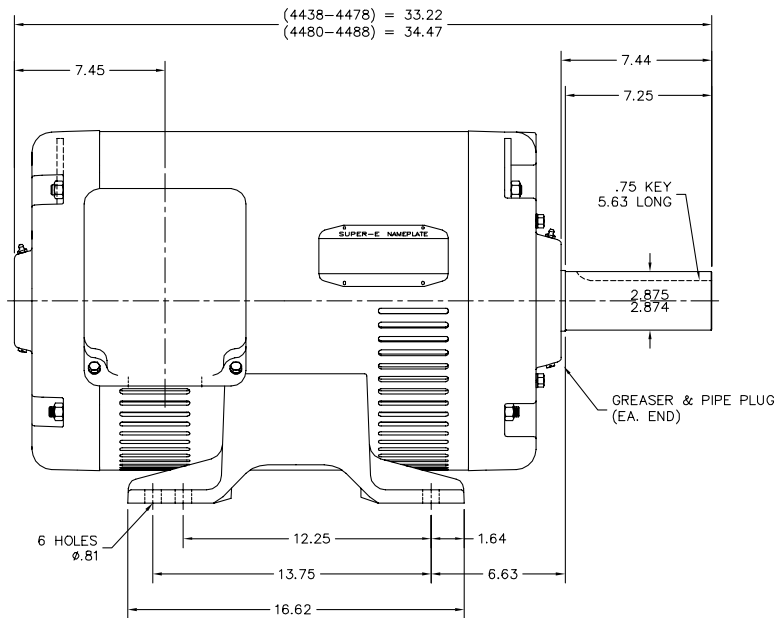
Load Characteristics 575 V, 60 Hz, 125 HP

% of Rated Load	25	50	75	100	125	150	S.F.
Power Factor	55	76	84	86	87	86	87
Efficiency	93.3	95.6	95.7	95.4	94.9	94.1	95.1
Speed	1794	1789	1783	1777	1770	1763	1773
Line amperes	47	65.5	88.9	115	143	173	132

Performance Graph at 575V, 60Hz, 125.0HP Typical performance - Not guaranteed values



44LYE195



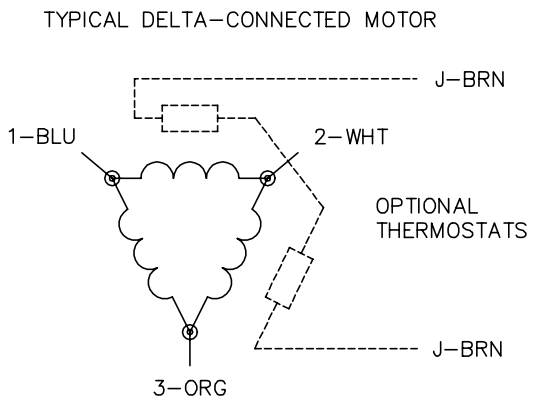
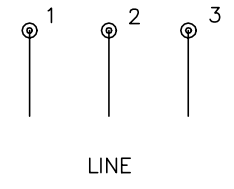
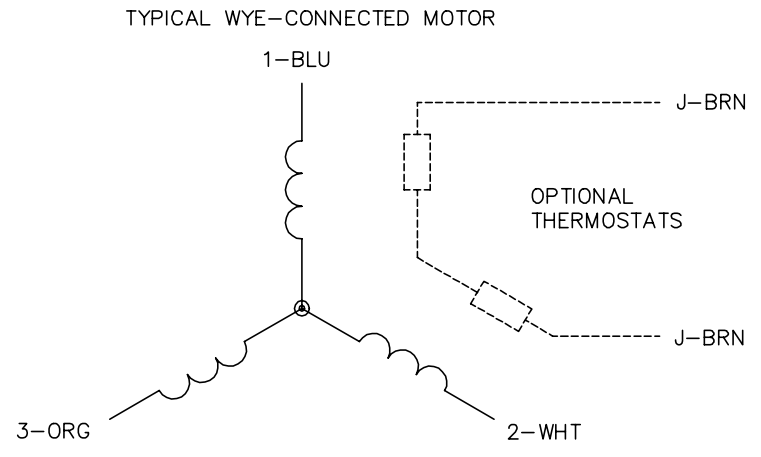
CUSTOMER IS RESPONSIBLE FOR DETERMINING THAT BALDOR'S PRODUCT WILL PERFORM SUITABLY IN THE INTENDED APPLICATION.

REV. DESC: NEW	VERSION: 00	TDR: 000000505270
REV. LTR: -	REVISED: 07:36:24 07/13/2009	BY: ENGAMG0
FILE: \AAA\00164\074		
MTL: -		

BALDOR • DODGE • RELIANCE
 HORZ OPSB 404-5T, SUPER-E
 SH 1 of 1

44LYE195

CD0006



NOTES:

1. THREE LEAD MOTOR MAY BE EITHER WYE CONNECTED OR DELTA CONNECTED.
2. INTERCHANGE ANY TWO LINE LEADS TO REVERSE ROTATION.
3. OPTIONAL THERMOSTATS ARE PROVIDED WHEN SPECIFIED.
4. ACTUAL NUMBER OF INTERNAL PARALLEL CIRCUITS MAY VARY.
5. LEAD COLORS ARE OPTIONAL. LEADS MUST BE NUMBERED AS SHOWN.

CD0006

REV. DESC: ADD CLASS CONN00000007		
REV. LTR: E	VERSION: 01	TDR: 000001099922
FILE: \AAA\00005\141	REVISED: 10:24:49 02/19/2019	BY: ENBRIRO
MTL: -		

BALDOR - RELIANCE®

3PH, SV, 3 LEADS, WYE OR DELTA CONNECTED

SH 1 of 1