

BALDOR® • RELIANCE 

Product Information Packet

EM2563T-4

200HP,1780RPM,3PH,60HZ,445T,1880M,OPEN

Part Detail							
Revision:	G	Status:	PRD/A	Change #:		Proprietary:	No
Type:	AC	Elec. Spec:	A44WG1483	CD Diagram:	416820-008	Mfg Plant:	
Mech. Spec:		Layout:	616508-006	Poles:	04	Created Date:	10-19-2010
Base:		Eff. Date:	02-24-2017	Leads:	6#1		

Specs			
Catalog Number:	EM2563T-4	Heater Indicator:	No Heater
Enclosure:	DP	Insulation Class:	F
Frame:	445T	Inverter Code:	Inverter Ready
Frame Material:	Iron	KVA Code:	F
Output @ Frequency:	200.000 HP @ 60 HZ	Lifting Lugs:	No Lifting Lugs
Synchronous Speed @ Frequency:	1800 RPM @ 60 HZ	Motor Lead Quantity/Wire Size:	6 @ 1 AWG
Voltage @ Frequency:	460.0 V @ 60 HZ	Motor Type:	A44072M
XP Class and Group:	None	Mounting Arrangement:	F1
XP Division:	Not Applicable	Power Factor:	88
Agency Approvals:	CCSA US	Pulley End Bearing Type:	Ball
	CSA EEV	Pulley Face Code:	C-Face
Auxillary Box:	No Auxillary Box	Shaft Ground Indicator:	No Shaft Grounding
Base Indicator:	Rigid	Shaft Rotation:	Reversible
Bearing Grease Type:	Polyrex EM (-20F +300F)	Shaft Slinger Indicator:	No Slinger
Current @ Voltage:	222.000 A @ 460.0 V	Speed Code:	Single Speed
Design Code:	B	Motor Standards:	NEMA
Drip Cover:	No Drip Cover	Starting Method:	Wye Start - Delta Run
Duty Rating:	CONT	Thermal Device - Bearing:	None

Feedback Device:	NO FEEDBACK	Thermal Device - Winding:	None
-------------------------	-------------	----------------------------------	------

Nameplate NP2377L									
CAT.NO.	EM2563T-4	SPEC NO.	P44G1774						
HP	200	AMPS	222	VOLTS	460	DESIGN	B		
FRAME	445T	RPM	1785	HZ	60	AMB	40	SF	1.15
DRIVE END BEARING	90BC03J30X	PHASE	3	DUTY	CONT	INSUL.CLASS	F		
OPP D.E. BEARING	90BC03J30X	TYPE	P	ENCL	DP	CODE	F		
SER.NO.		POWER FACTOR	88	NEMA-NOM-EFFICIENCY	95.8				
		MAX CORR KVAR	35.0	GUARANTEED EFFICIENCY	95.4				
		NEMA NOM/CSA QUOTED EFF							
		MOTOR WEIGHT	1625						

REL. S.O.	FRAME	HP	TYPE	PHASE/HERTZ	RPM	VOLTS
	445T	200	P	3/60	1785	460
AMPS	DUTY	AMB °C/ INSUL.	S.F.	NEMA DESIGN	CODE LETTER	ENCL.
222	CONT	40/F	1.15	B	F	DP
E/S	ROTOR	TEST S.O.	TEST DATE	STATOR RES. @25 °C OHMS (BETWEEN LINES)		
599694	418143042TE	---	---	.0238		

PERFORMANCE						
LOAD	HP	AMPERES	RPM	POWER FACTOR %	EFFICIENCY %	
NO LOAD	0	58.9	1800	4.10	0	
1/4	50.1	79.2	1796	62.6	94.4	
2/4	100	119	1792	81.8	96.2	
3/4	150	168	1788	86.7	96.3	
4/4	200	222	1784	87.8	96.0	
5/4	250	279	1779	88.0	95.5	

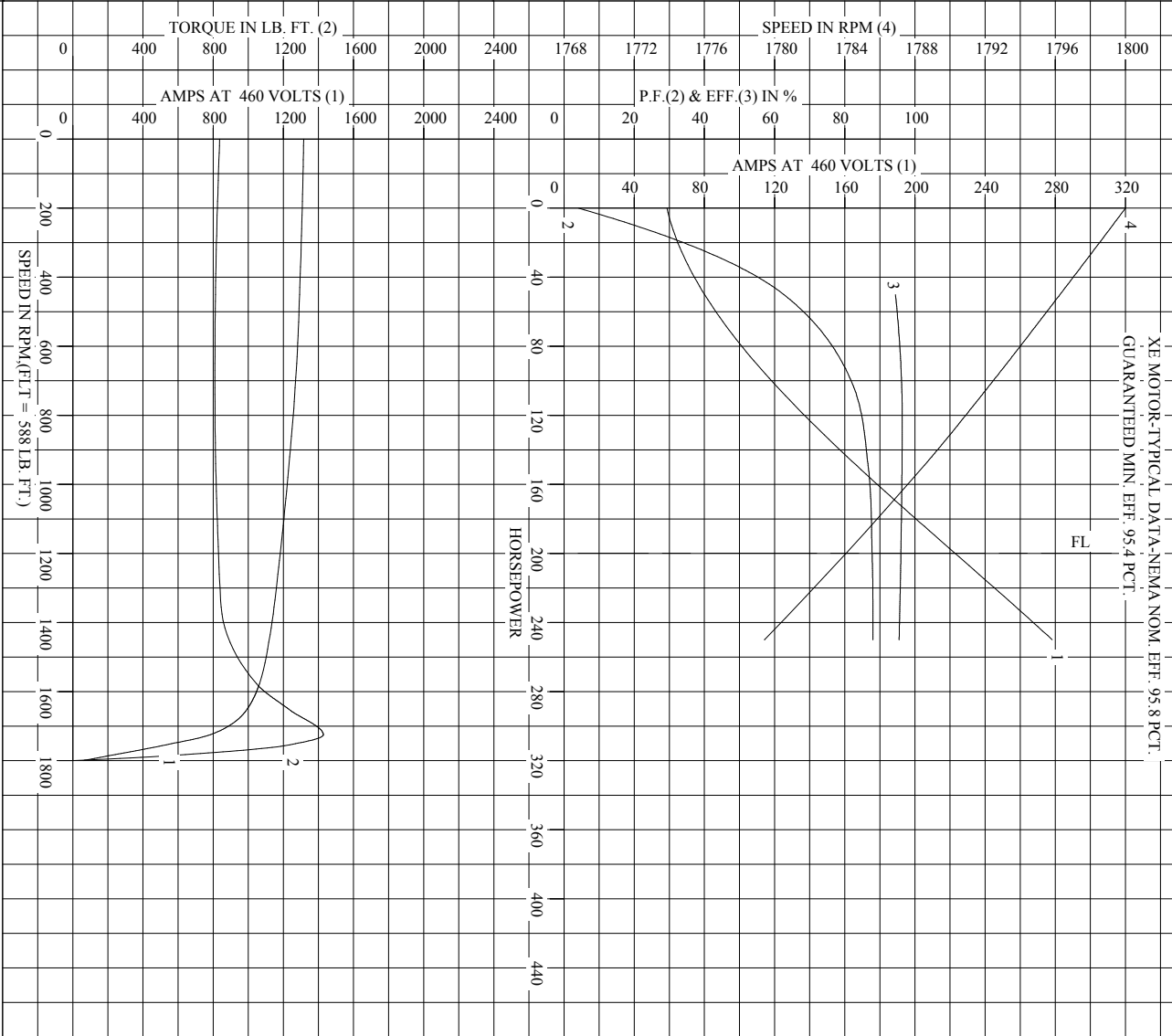
SPEED TORQUE						
	RPM	TORQUE % FULL LOAD	TORQUE LB.-FT.	AMPERES		
LOCKED ROTOR	0	142	837	1316		
PULL UP	700	138	810	1270		
BREAKDOWN	1725	243	1428	781		
FULL LOAD	1784	100	588	222		

AMPERES SHOWN FOR 460. VOLT CONNECTION. IF OTHER VOLTAGE CONNECTIONS ARE AVAILABLE, THE AMPERES WILL VARY INVERSELY WITH THE RATED VOLTAGE

REMARKS: TYPICAL DATA
 XE MOTOR-TYPICAL DATA-NEMA NOM. EFF. 95.8 PCT.
 GUARANTEED MIN. EFF. 95.4 PCT.

BALDOR	DR. BY J.J.HARRISON	A-C MOTOR	
	CK. BY W.L.SMITH		PERFORMANCE DATA
	APP. BY W.L.SMITH		ISSUE DATE 12/18/10
DATE 10/19/09			

REL. S.O. _____ RPM 1785 S.F. 1.15 ROTOR 418143042TE
 FRAME 445T VOLTS 460 NEMA DESIGN B TEST S.O. TYPICAL DATA
 HP 200 AMPS 222 CODE LETTER F TEST DATE ---
 TYPE P DUTY CONT ENCLOSURE DP STATOR RES. @ 25 °C .0238
 PHASE/HERTZ 3/60 AMB °C/INSUL 40/F E/S 599694 OHMS (BETWEEN LINES)

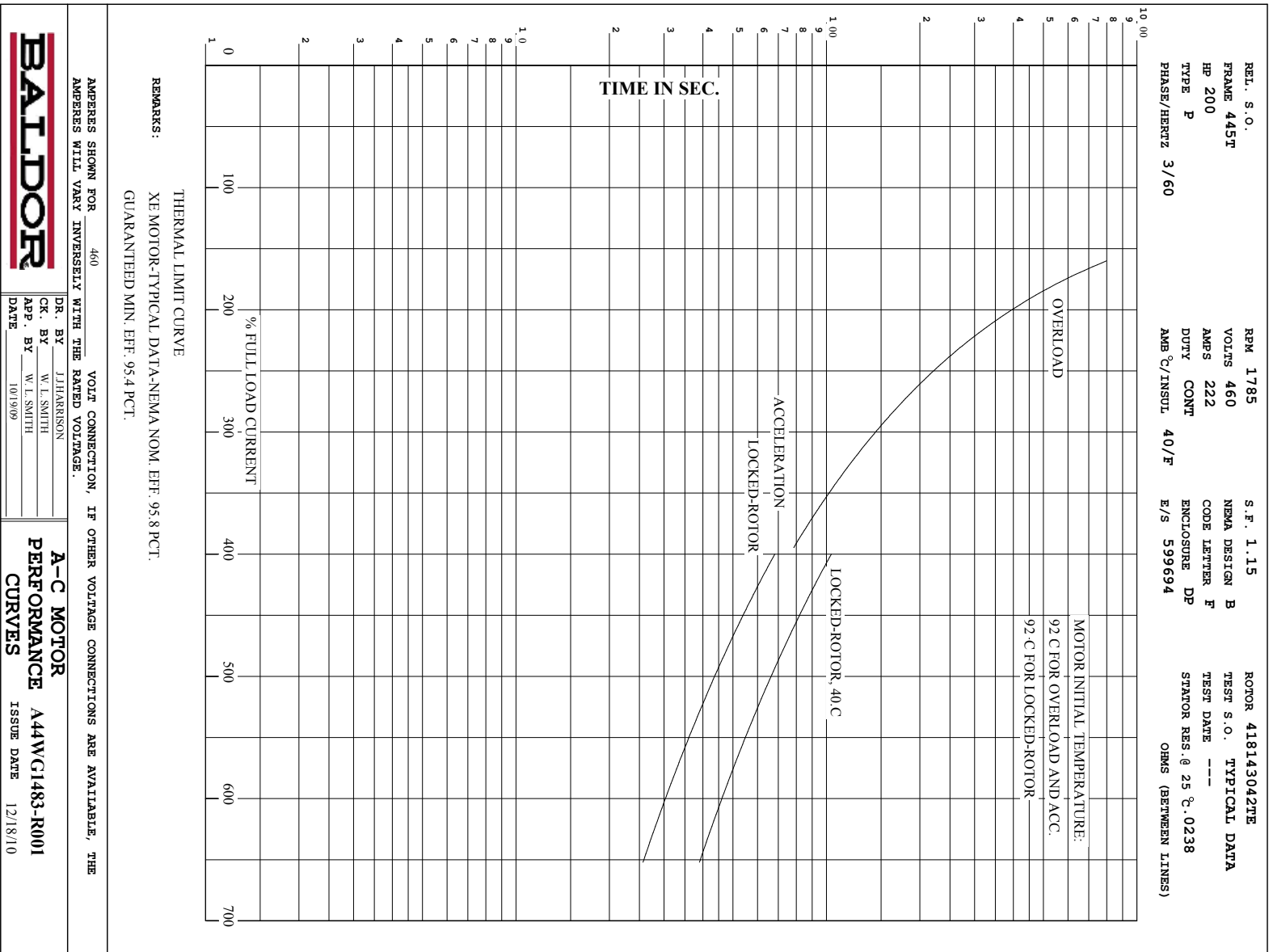


AMPERES SHOWN FOR _____ 460 VOLT CONNECTION, IF OTHER VOLTAGE CONNECTIONS ARE AVAILABLE, THE AMPERES WILL VARY INVERSELY WITH THE RATED VOLTAGE.

BALDOR
 DR. BY J.HARRISON
 CK. BY W.L.SMITH
 APP. BY W.L.SMITH
 DATE 10/9/09

A-C MOTOR PERFORMANCE CURVES
 A44WG1483-R001
 ISSUE DATE 12/18/10

Printed on 12/18/10 5:57 @ psecs-motoreng



616508-006

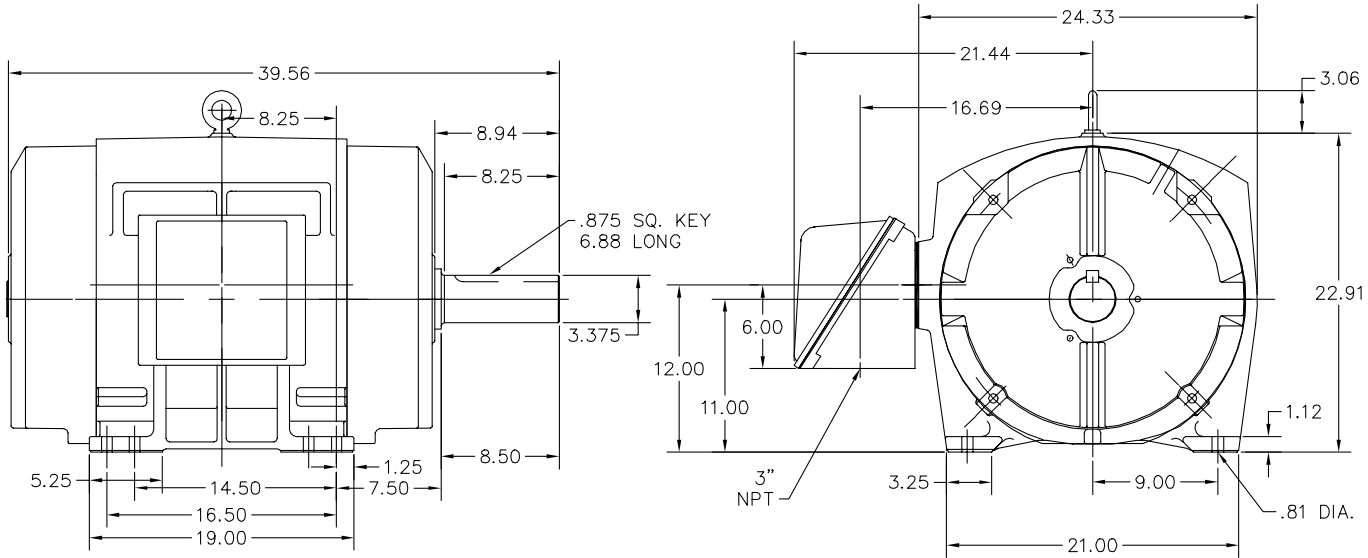
DUTY MASTER ALTERNATING CURRENT MOTORS

SQUIRREL-CAGE INDUCTION

ENCLOSURE: PROTECTED
MOUNTING: FOOT

COOLING: SELF-VENTILATED

FRAMES 444T THRU 445T



NOTES:
SCALE DWG. FOR COMPLETE DIMENSIONS
SEE DS 611750-501

FRAME— _____ TYPE— _____ CERTIFIED FOR— _____
 ORDER— _____ ITEM— _____ HP— _____ RPM— _____
 SALES ORDER— _____ APPROVED BY— _____ DATE— _____
 CUSTOMER IS RESPONSIBLE FOR DETERMINING THAT BALDOR'S PRODUCT WILL PERFORM SUITABLY IN THE INTENDED APPLICATION.

REV. DESC: LOADED TO BUS		
REV. LTR: A	VERSION: 01	TDR: 00000557201
FILE: \RAG\00010\520	REVISED: 11:22:31 09/08/2010	BY: RAGRA
MTL: -		

BALDOR
DIM SHT 444T-445T ODP FT
SH 1 of 1

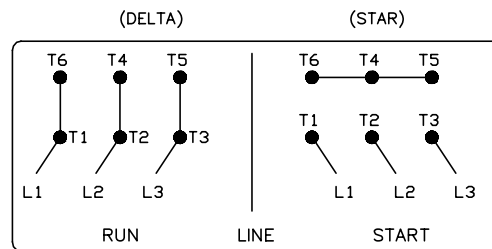
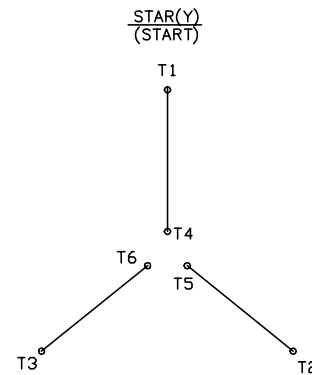
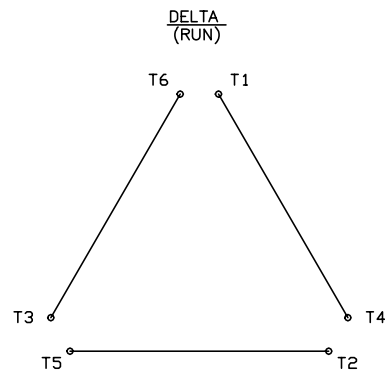
616508-006

416820-008

A-C MOTOR CONNECTION DIAGRAM

STANDARD 6 LEAD

Y START - DELTA RUN



< N. P. 1767-DC >

REV. DESC: ADDED T4 TO Y CONNECT DIAGRAM		
REV. LTR: D	VERSION: 04	TDR: 00000847713
FILE: \RAG\00001\808	REVISED: 10: 41: 26 04/08/2014	BY: RAGJSS1
MTL: -	⊙ □	



CONNECT DIAGRAM STD 6 LEAD Y START DELTA RUN

SH 1 of 1

416820-008