

BALDOR® • RELIANCE 

Product Information Packet

EM3311T

7.5HP,1770RPM,3PH,60HZ,213T,3734M,OPSB,F

Part Detail							
Revision:	B	Status:	PRD/A	Change #:		Proprietary:	No
Type:	AC	Elec. Spec:	37WGL863	CD Diagram:	CD0005	Mfg Plant:	
Mech. Spec:	37F614	Layout:	37LYF614	Poles:	04	Created Date:	11-10-2020
Base:	RG	Eff. Date:	06-14-2021	Leads:	9#14		

Specs			
Catalog Number:	EM3311T	Insulation Class:	F
Enclosure:	OPSB	Inverter Code:	Inverter Ready
Frame:	213T	KVA Code:	J
Frame Material:	Steel	Lifting Lugs:	Standard Lifting Lugs
Output @ Frequency:	7.500 HP @ 60 HZ	Locked Bearing Indicator:	No Locked Bearing
Synchronous Speed @ Frequency:	1800 RPM @ 60 HZ	Motor Lead Quantity/Wire Size:	9 @ 14 AWG
Voltage @ Frequency:	460.0 V @ 60 HZ	Motor Lead Exit:	Ko Box
	230.0 V @ 60 HZ	Motor Lead Termination:	Flying Leads
XP Class and Group:	None	Motor Type:	3734M
XP Division:	Not Applicable	Mounting Arrangement:	F1
Agency Approvals:	UR	Power Factor:	79
	CSA EEV	Product Family:	General Purpose
	CSA	Pulley End Bearing Type:	Ball
Auxillary Box:	No Auxillary Box	Pulley Face Code:	Standard
Auxillary Box Lead Termination:	None	Pulley Shaft Indicator:	Standard
Base Indicator:	Rigid	Rodent Screen:	None
Bearing Grease Type:	Polyrex EM (-20F +300F)	RoHS Status:	ROHS COMPLIANT
Blower:	None	Shaft Extension Location:	Pulley End

Current @ Voltage:	19.600 A @ 230.0 V	Shaft Ground Indicator:	No Shaft Grounding
	20.600 A @ 208.0 V	Shaft Rotation:	Reversible
	9.800 A @ 460.0 V	Shaft Slinger Indicator:	No Slinger
Design Code:	A	Speed Code:	Single Speed
Drip Cover:	No Drip Cover	Motor Standards:	NEMA
Duty Rating:	CONT	Starting Method:	Direct on line
Electrically Isolated Bearing:	Not Electrically Isolated	Thermal Device - Bearing:	None
Feedback Device:	NO FEEDBACK	Thermal Device - Winding:	None
Front Face Code:	Standard	Vibration Sensor Indicator:	No Vibration Sensor
Front Shaft Indicator:	None	Winding Thermal 1:	None
Heater Indicator:	No Heater	Winding Thermal 2:	None

Nameplate NP3553LUA										
CAT.NO.	EM3311T									
SPEC.	37F614L863G1									
HP	7.5									
VOLTS	230/460									
AMPS	19.6/9.8									
RPM	1770									
FRAME	213T				HZ	60			PH	3
SF	1.15		CODE	J	DES	A		CLASS	F	
NEMA NOM. EFF	91		PF	79						
RATING	40C AMB-CONT									
CC	010A				USABLE AT 208V			20.6		
DE	6307				ODE	6206				
ENCL	OPSB		SN							
VPWM INVERTER READY										
CT30-60(2:1) VT3-60(20:1)										
USABLE AT	50HZ 7.5HP 190/380V 23.2/11.6A								SF1.0	

AC Induction Motor Performance Data

Record # 85452

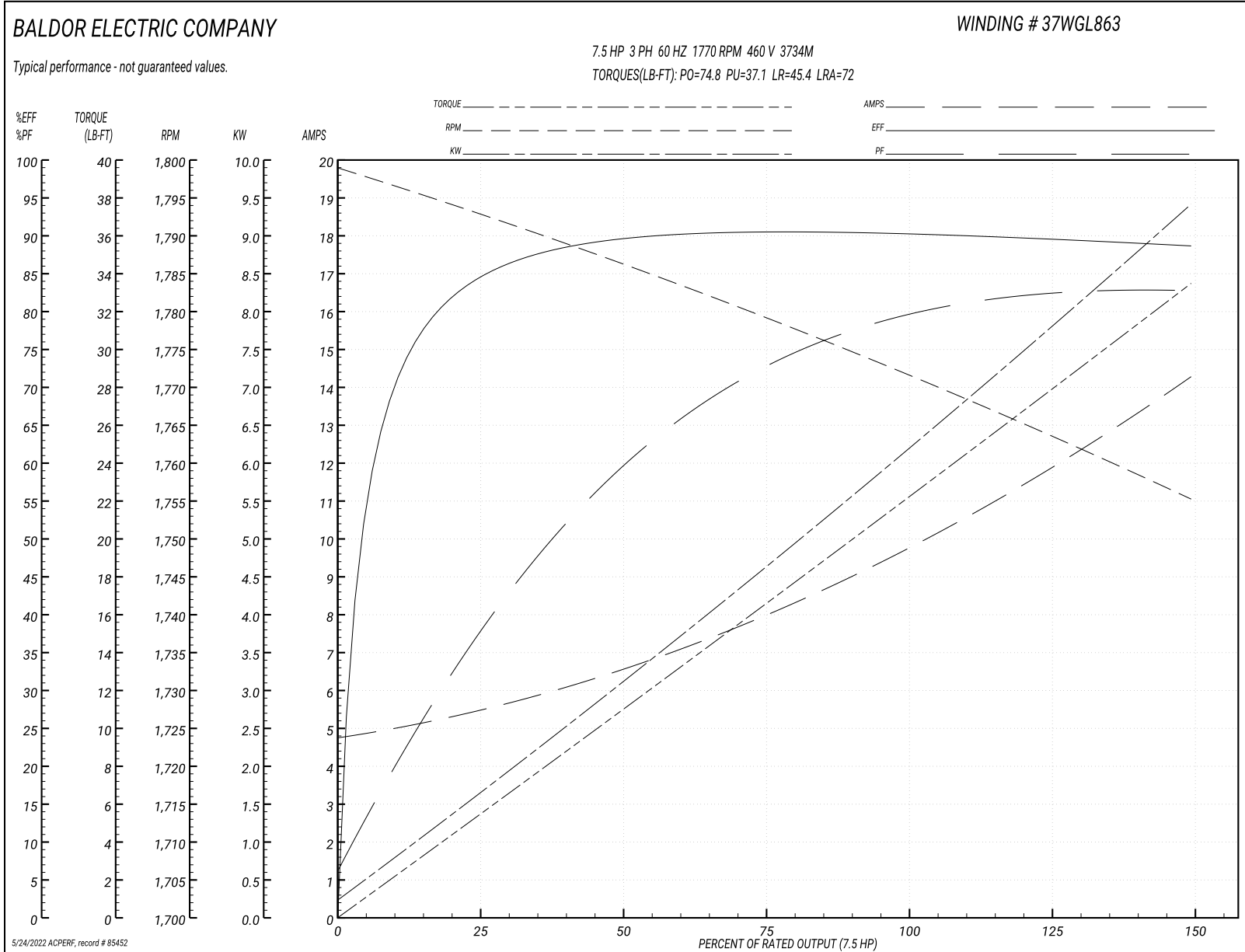
Preliminary Data Sheet

Winding: 37WGL863-R001		Type: 3734M		Enclosure: OPSB	
Nameplate Data			460 V, 60 Hz: High Voltage Connection		
Rated Output (HP)	7.5	Full Load Torque	22.2 LB-FT		
Volts	230/460	Start Configuration	direct on line		
Full Load Amps	19.6/9.8	Breakdown Torque	74.8 LB-FT		
R.P.M.	1770	Pull-up Torque	37.1 LB-FT		
Hz	60 Phase	3	Locked-rotor Torque	45.4 LB-FT	
NEMA Design Code	A KVA Code	J	Starting Current	72 A	
Service Factor (S.F.)	1.15		No-load Current	4.87 A	
NEMA Nom. Eff.	91 Power Factor	79	Line-line Res. @ 25°C	1.67 Ω	
Rating - Duty	40C AMB-CONT		Temp. Rise @ Rated Load	35°C	
S.F. Amps	22.0/11.0		Temp. Rise @ S.F. Load	47°C	
			Locked-rotor Power Factor	45.8	
			Rotor inertia	0.836 lb-ft ²	

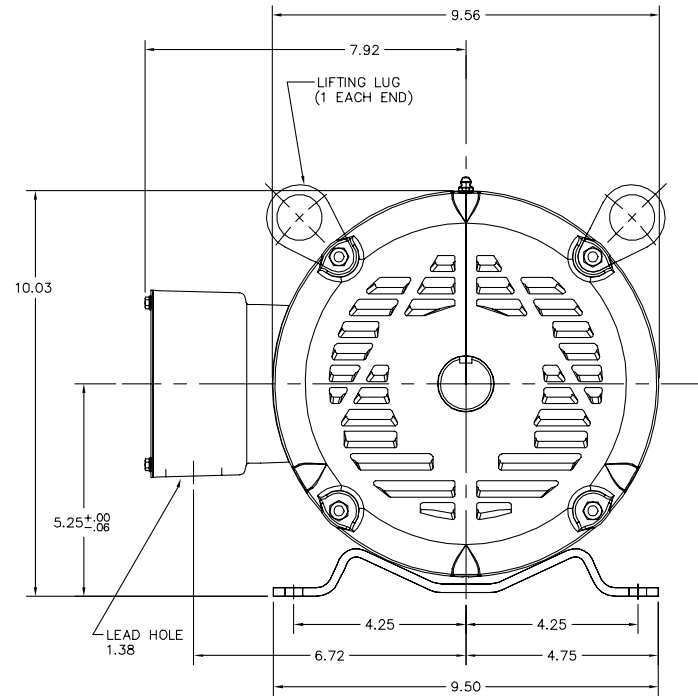
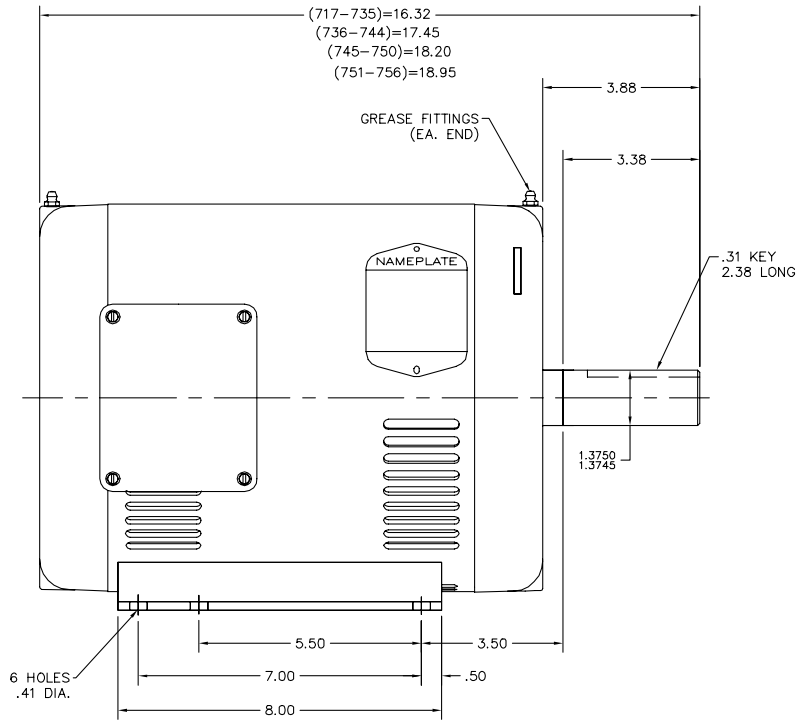
Load Characteristics 460 V, 60 Hz, 7.5 HP

% of Rated Load	25	50	75	100	125	150	S.F.
Power Factor	39	60	73	79	82	83	81
Efficiency	85	90.1	91.1	90.9	90.1	89	90.3
Speed	1793	1786	1779	1772	1764	1755	1766
Line amperes	5.34	6.47	7.99	9.87	11.9	14.2	11.1

Performance Graph at 460V, 60Hz, 7.5HP Typical performance - Not guaranteed values



37LYF614



37LYF614

CUSTOMER IS RESPONSIBLE FOR DETERMINING THAT BALDOR'S PRODUCT WILL PERFORM SUITABLY IN THE INTENDED APPLICATION.

REV. DESC: REPLACE ENDPLATES		
REV. LTR: H	VERSION: 03	TDR: 000001018975
FILE: \AAA\00018\745	REVISED: 09:54:18 03/07/2017	BY: USZAHAR
MTL: -		

BALDOR

STD HORZ 213-5T OPSB 37M (SUPER-E)

SH 1 of 1

CD0005

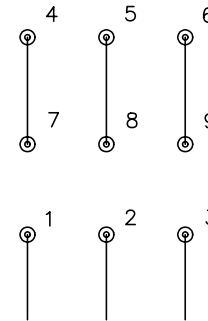


LOW VOLTAGE
(2Y)



LINE

HIGH VOLTAGE
(1Y)



LINE

NOTES:

1. INTERCHANGE ANY TWO LINE LEADS TO REVERSE ROTATION.
2. OPTIONAL THERMOSTATS ARE PROVIDED WHEN SPECIFIED.
3. ACTUAL NUMBER OF INTERNAL PARALLEL CIRCUITS MAY BE A MULTIPLE OF THOSE SHOWN ABOVE.
4. LEAD COLORS ARE OPTIONAL. LEADS MUST ALWAYS BE NUMBERED AS SHOWN.

REV. DESC: REVISE TO SHOW OPTIONAL COLORS			
REV. LTR: E	BY: JLP	REVISED: 01/19/99 10:15	TDR: 0171435
9000D		FILE: AAA00005140	MDL: -
		MTL: -	

BALDOR ELECTRIC Co.

3PH, DV, 9 LEADS

CD0005