

BALDOR® • RELIANCE 

Product Information Packet

EM3616T

7.5HP,3450RPM,3PH,60HZ,184T,3646M,TEFC,F

Part Detail							
Revision:	K	Status:	PRD/A	Change #:		Proprietary:	No
Type:	AC	Elec. Spec:	36WGS428	CD Diagram:	CD0005	Mfg Plant:	
Mech. Spec:	36G271	Layout:	36LYG271	Poles:	02	Created Date:	07-28-2010
Base:	RG	Eff. Date:	07-19-2017	Leads:	9#16		

Specs			
Catalog Number:	EM3616T	Heater Indicator:	No Heater
Enclosure:	TEFC	Insulation Class:	F
Frame:	184T	Inverter Code:	Inverter Ready
Frame Material:	Steel	KVA Code:	L
Output @ Frequency:	7.500 HP @ 60 HZ	Lifting Lugs:	Standard Lifting Lugs
Synchronous Speed @ Frequency:	3600 RPM @ 60 HZ	Locked Bearing Indicator:	No Locked Bearing
Voltage @ Frequency:	460.0 V @ 60 HZ	Motor Lead Quantity/Wire Size:	9 @ 16 AWG
	230.0 V @ 60 HZ	Motor Lead Exit:	Ko Box
XP Class and Group:	None	Motor Lead Termination:	Flying Leads
XP Division:	Not Applicable	Motor Type:	3646M
Agency Approvals:	UR	Mounting Arrangement:	F1
	CSA EEV	Power Factor:	93
	CSA	Product Family:	General Purpose
Auxillary Box:	No Auxillary Box	Pulley End Bearing Type:	Ball
Auxillary Box Lead Termination:	None	Pulley Face Code:	Standard
Base Indicator:	Rigid	Pulley Shaft Indicator:	Standard
Bearing Grease Type:	Polyrex EM (-20F +300F)	Rodent Screen:	None
Blower:	None	Shaft Extension Location:	Pulley End

Current @ Voltage:	16.800 A @ 230.0 V	Shaft Ground Indicator:	No Shaft Grounding
	18.500 A @ 208.0 V	Shaft Rotation:	Reversible
	8.400 A @ 460.0 V	Shaft Slinger Indicator:	No Slinger
Design Code:	A	Speed Code:	Single Speed
Drip Cover:	No Drip Cover	Motor Standards:	NEMA
Duty Rating:	CONT	Starting Method:	Direct on line
Electrically Isolated Bearing:	Not Electrically Isolated	Thermal Device - Bearing:	None
Feedback Device:	NO FEEDBACK	Thermal Device - Winding:	None
Front Face Code:	Standard	Vibration Sensor Indicator:	No Vibration Sensor
Front Shaft Indicator:	None	Winding Thermal 1:	None
		Winding Thermal 2:	None

Nameplate NP3441LUA										
CAT.NO.	EM3616T									
SPEC	36G271S428G1									
HP	7.5									
VOLTS	230/460									
AMPS	16.8/8.4									
RPM	3450									
FRAME	184T				HZ	60			PH	3
SF	1.15		CODE	L	DES	A		CLASS	F	
NEMA NOM. EFF	89.5		PF	93						
RATING	40C AMB-CONT									
CC	010A			USABLE AT 208V			18.5			
ENCL	TEFC		SER							
DE	6206			ODE	6205					
VPWM INVERTER READY										
CT6-60H(10:1)VT3-60H(20:1)										
	50Hz 7.5HP 190/380V 21/10.5A								SF1.0	

AC Induction Motor Performance Data

Record # 52145 - Typical performance - not guaranteed values

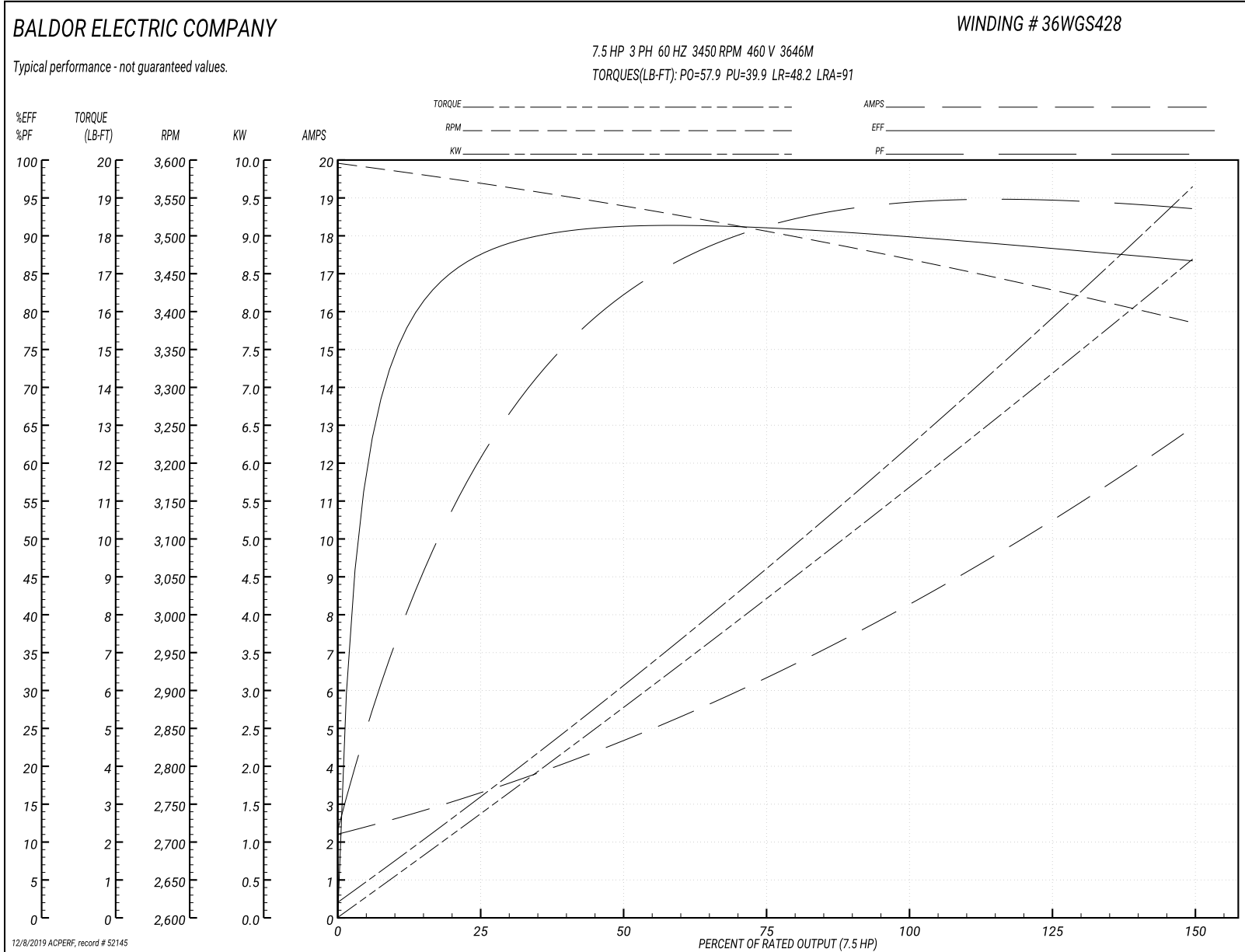
Winding: 36WGS428-R020	Type: 3646M	Enclosure: TEFC
-------------------------------	--------------------	------------------------

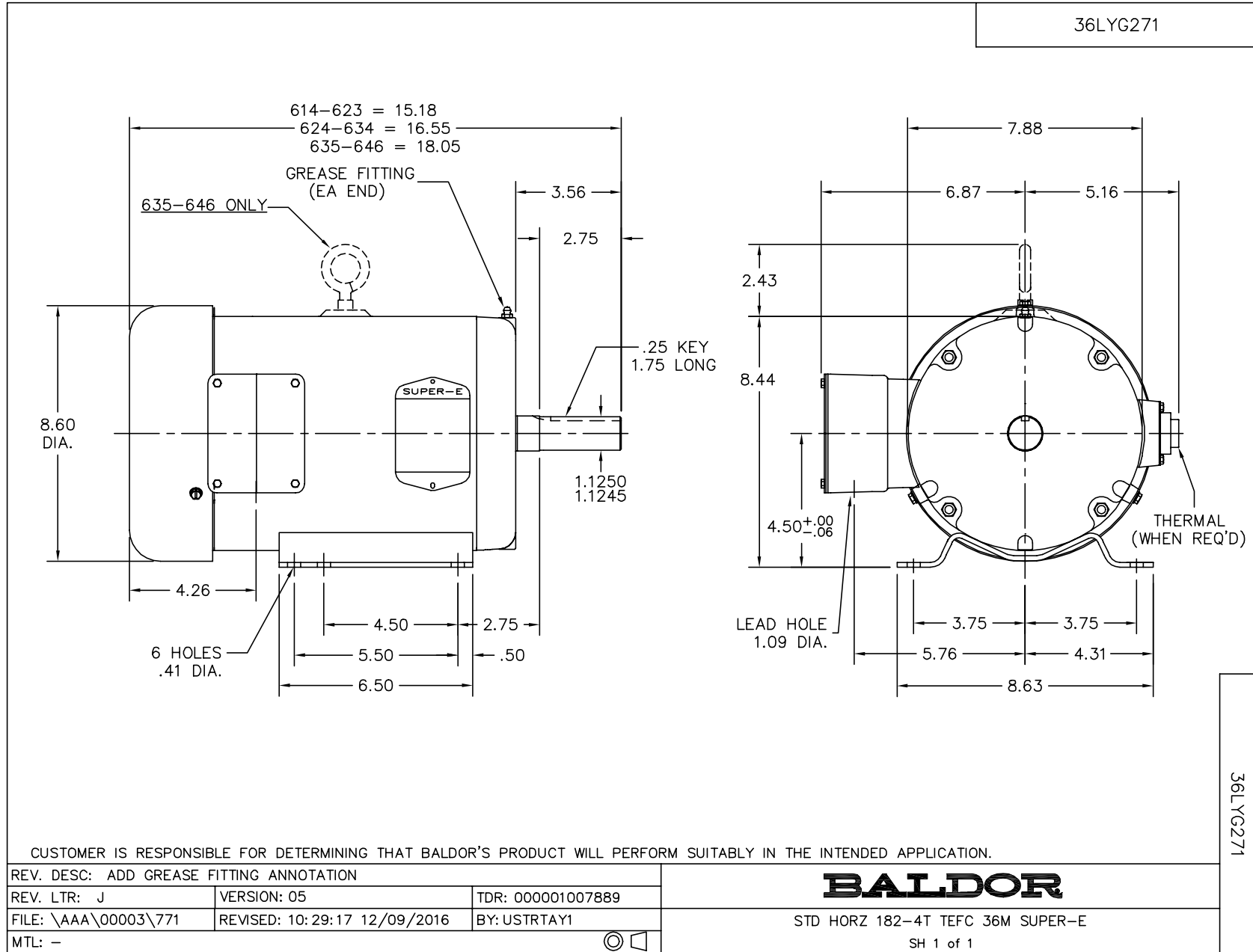
Nameplate Data				460 V, 60 Hz: High Voltage Connection	
Rated Output (HP)	7.5			Full Load Torque	11.4 LB-FT
Volts	230/460			Start Configuration	direct on line
Full Load Amps	16.8/8.4			Breakdown Torque	57.9 LB-FT
R.P.M.	3450			Pull-up Torque	39.9 LB-FT
Hz	60	Phase	3	Locked-rotor Torque	48.2 LB-FT
NEMA Design Code	A	KVA Code	L	Starting Current	91 A
Service Factor (S.F.)	1.15			No-load Current	2.33 A
NEMA Nom. Eff.	89.5	Power Factor	93	Line-line Res. @ 25°C	1.43 Ω
Rating - Duty	40C AMB-CONT			Temp. Rise @ Rated Load	74°C
S.F. Amps				Temp. Rise @ S.F. Load	92°C
				Locked-rotor Power Factor	44.4
				Rotor inertia	0.205 LB-FT ²

Load Characteristics 460 V, 60 Hz, 7.5 HP

% of Rated Load	25	50	75	100	125	150	S.F.
Power Factor	64	85	90	93	94	94	94
Efficiency	86.9	90.6	91	90.1	88.8	86.5	89.3
Speed	3571	3539	3505	3468	3429	3385	3445
Line amperes	3.14	4.59	6.43	8.43	10.5	12.9	9.67

Performance Graph at 460V, 60Hz, 7.5HP Typical performance - Not guaranteed values

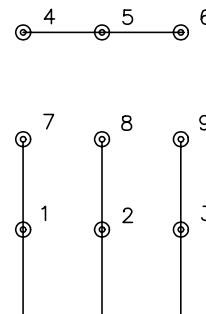




CD0005



LOW VOLTAGE
(2Y)



LINE

HIGH VOLTAGE
(1Y)



LINE

NOTES:

1. INTERCHANGE ANY TWO LINE LEADS TO REVERSE ROTATION.
2. OPTIONAL THERMOSTATS ARE PROVIDED WHEN SPECIFIED.
3. ACTUAL NUMBER OF INTERNAL PARALLEL CIRCUITS MAY BE A MULTIPLE OF THOSE SHOWN ABOVE.
4. LEAD COLORS ARE OPTIONAL. LEADS MUST ALWAYS BE NUMBERED AS SHOWN.

REV. DESC: REVISE TO SHOW OPTIONAL COLORS			
REV. LTR: E	BY: JLP	REVISED: 01/19/99 10:15	TDR: 0171435
90000		FILE: AAA00005140	MDL: -
		MTL: -	

BALDOR ELECTRIC Co.

3PH, DV, 9 LEADS

CD0005