

BALDOR® • RELIANCE 

Product Information Packet

EM4110T-5G

40HP,1775RPM,3PH,60HZ,324T,1254M,TEFC,F1

Part Detail							
Revision:	V	Status:	PRD/A	Change #:		Proprietary:	No
Type:	AC	Elec. Spec:	12WGY285	CD Diagram:	CD0006	Mfg Plant:	
Mech. Spec:	12F882	Layout:	12LYF882	Poles:	04	Created Date:	02-11-2011
Base:	RG	Eff. Date:	09-16-2019	Leads:	3#8		

Specs			
Catalog Number:	EM4110T-5G	Inverter Code:	Inverter Ready
Enclosure:	TEFC	KVA Code:	H
Frame:	324T	Lifting Lugs:	Standard Lifting Lugs
Frame Material:	Iron	Locked Bearing Indicator:	Locked Bearing
Output @ Frequency:	40.000 HP @ 60 HZ	Motor Lead Quantity/Wire Size:	3 @ 8 AWG
Synchronous Speed @ Frequency:	1800 RPM @ 60 HZ	Motor Lead Exit:	Ko Box
Voltage @ Frequency:	575.0 V @ 60 HZ	Motor Lead Termination:	Flying Leads
XP Class and Group:	None	Motor Type:	1254M
XP Division:	Not Applicable	Mounting Arrangement:	F1
Agency Approvals:	CSA	Power Factor:	82
	CSA EEV	Product Family:	General Purpose
	UR	Pulley End Bearing Type:	Ball
Auxillary Box:	No Auxillary Box	Pulley Face Code:	Standard
Auxillary Box Lead Termination:	None	Pulley Shaft Indicator:	Standard
Base Indicator:	Rigid	Rodent Screen:	None
Bearing Grease Type:	Polyrex EM (-20F +300F)	Shaft Extension Location:	Pulley End
Blower:	None	Shaft Ground Indicator:	Shaft Grounding
Current @ Voltage:	39.000 A @ 575.0 V	Shaft Rotation:	Reversible

Design Code:	A	Shaft Slinger Indicator:	Shaft Slinger
Drip Cover:	No Drip Cover	Speed Code:	Single Speed
Duty Rating:	CONT	Motor Standards:	NEMA
Electrically Isolated Bearing:	Not Electrically Isolated	Starting Method:	Direct on line
Feedback Device:	NO FEEDBACK	Thermal Device - Bearing:	None
Front Face Code:	Standard	Thermal Device - Winding:	None
Front Shaft Indicator:	None	Vibration Sensor Indicator:	No Vibration Sensor
Heater Indicator:	No Heater	Winding Thermal 1:	None
Insulation Class:	H	Winding Thermal 2:	None

Nameplate NP3443L										
CAT.NO.	EM4110T-5G				CUST. P/N				ENCL	TEFC
SPEC.	12F882Y285G1		CC	010A	FRAME	324T		SER.NO.		
HP	40		CLASS	H	HZ	60				
R.P.M.	1775		PH	3	DES	A				
VOLTS	575		CODE	H	ODE BRG	6311		DE BRG	6312	
AMPS	39		USABLE AT 208V							
RATING	40C AMB-CONT		NEMA NOM. EFF.	94.1		GREASE	POLYREX EM			
P.F.	82		SER.F.	1.15		VPWM INVERTER READY				
HTR-VOLTS			HTR-AMPS			HTR-WATTS				

AC Induction Motor Performance Data

Record # 47382 - Typical performance - not guaranteed values

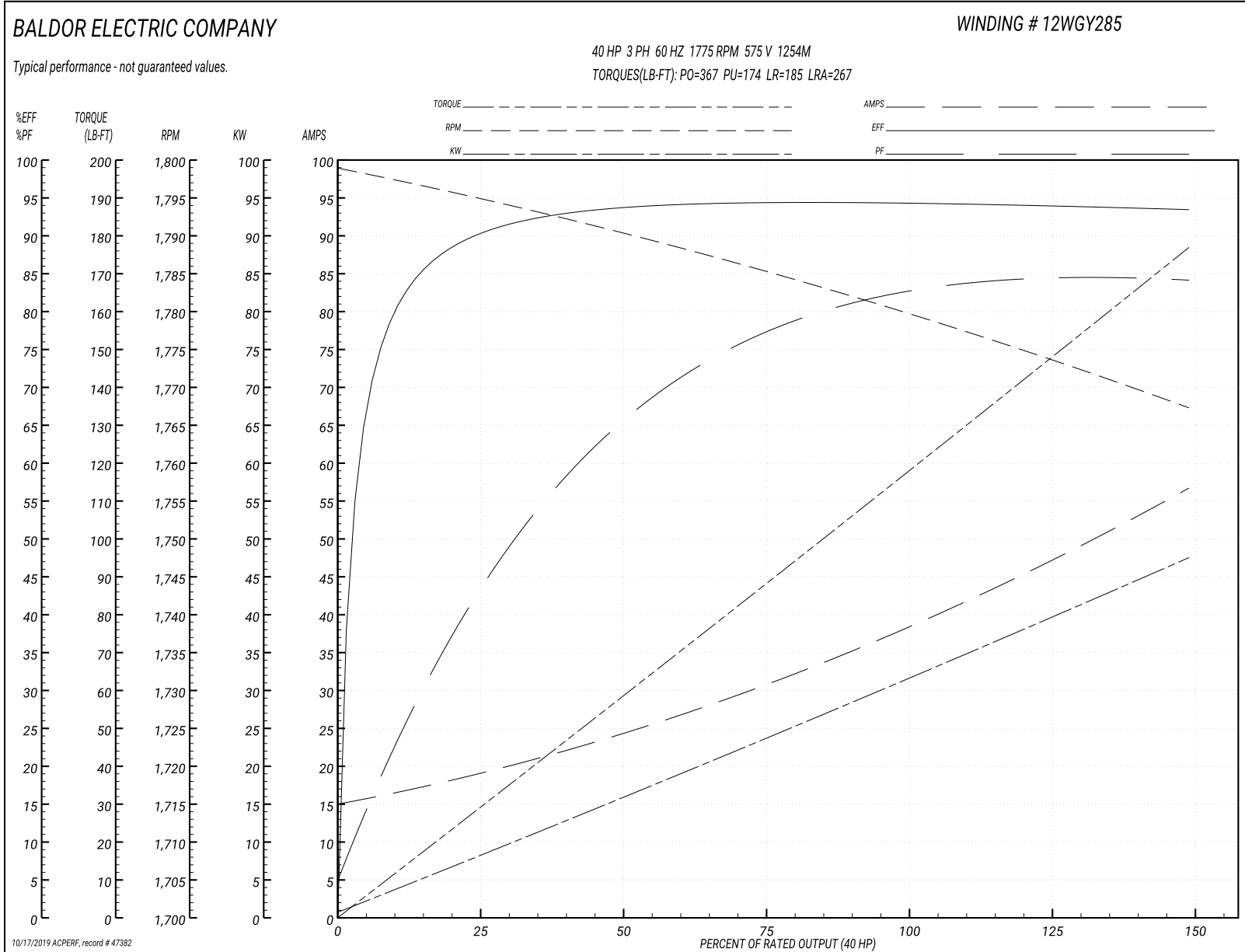
Winding: 12WGY285-R003	Type: 1254M	Enclosure: TEFC
-------------------------------	--------------------	------------------------

Nameplate Data				575 V, 60 Hz: Single Voltage Motor	
Rated Output (HP)	40			Full Load Torque	118 LB-FT
Volts	575			Start Configuration	direct on line
Full Load Amps	39			Breakdown Torque	367 LB-FT
R.P.M.	1775			Pull-up Torque	174 LB-FT
Hz	60	Phase	3	Locked-rotor Torque	185 LB-FT
NEMA Design Code	A	KVA Code	H	Starting Current	267 A
Service Factor (S.F.)	1.15			No-load Current	15.6 A
NEMA Nom. Eff.	94.1	Power Factor	82	Line-line Res. @ 25°C	0.232 Ω
Rating - Duty	40C AMB-CONT			Temp. Rise @ Rated Load	54°C
S.F. Amps				Temp. Rise @ S.F. Load	65°C
				Locked-rotor Power Factor	28
				Rotor inertia	7.19 LB-FT ²

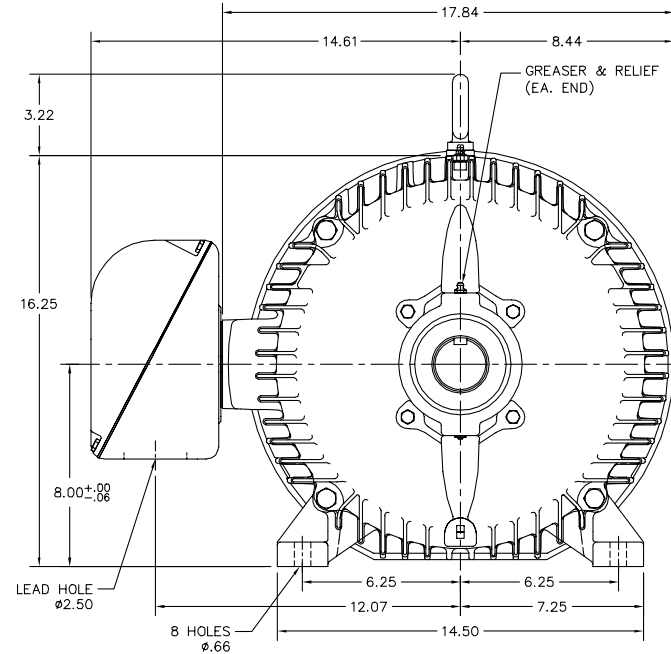
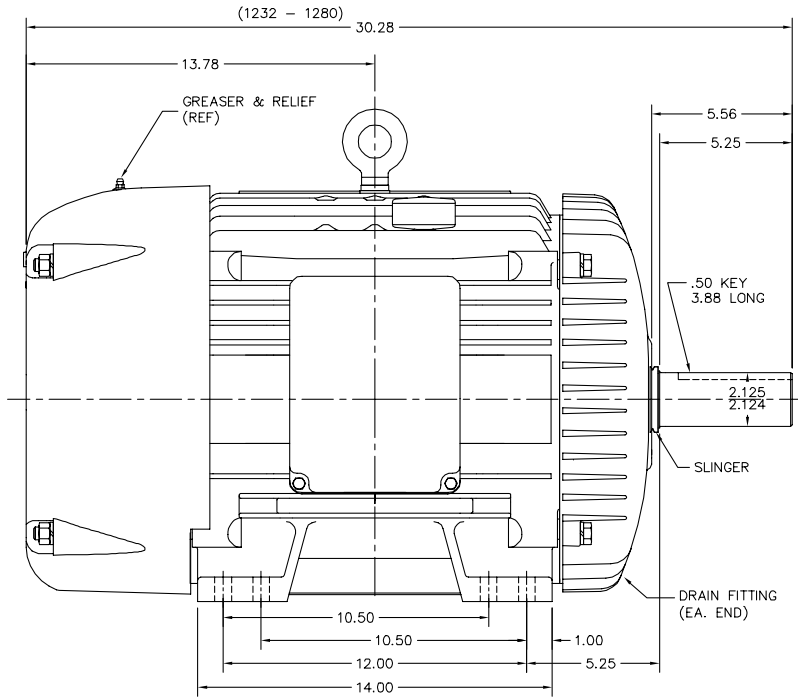
Load Characteristics 575 V, 60 Hz, 40 HP

% of Rated Load	25	50	75	100	125	150	S.F.
Power Factor	46	67	77	82	84	85	83
Efficiency	90.1	93.6	94.3	94.3	94.2	93.3	94.2
Speed	1795	1790	1785	1780	1774	1767	1776
Line amperes	18.3	24.1	31.1	38.7	47.6	56.3	44

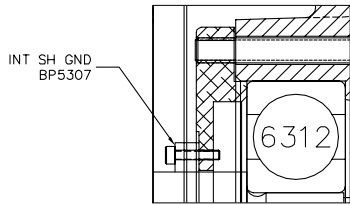
Performance Graph at 575V, 60Hz, 40.0HP Typical performance - Not guaranteed values



12LYF882



PU. BRG RETAINER DETAIL



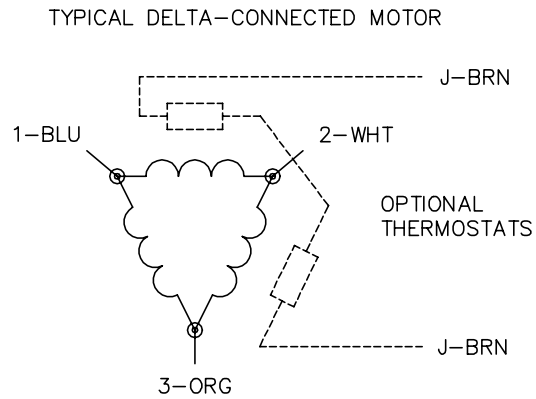
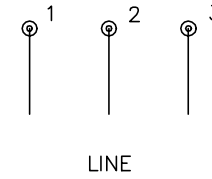
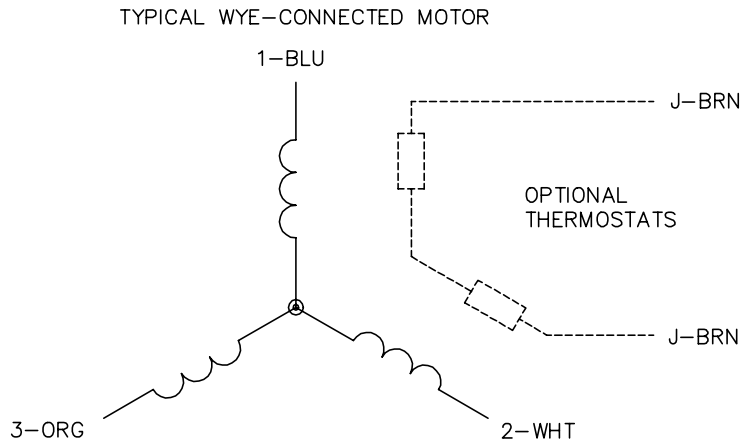
CUSTOMER IS RESPONSIBLE FOR DETERMINING THAT BALDOR'S PRODUCT WILL PERFORM SUITABLY IN THE INTENDED APPLICATION.

REV. DESC: REMOVE LOCKNUT	VERSION: 02	TDR: 000000953592
REV. LTR: B	REVISED: 01:22:54 11/16/2015	BY: ENMARSO
FILE: \AAA\00174\271		
MTL: -		

BALDOR
 HORZ TEFC 324-6T W/INT SH GND
 SH 1 of 1

12LYF882

CD0006



NOTES:

1. THREE LEAD MOTOR MAY BE EITHER WYE CONNECTED OR DELTA CONNECTED.
2. INTERCHANGE ANY TWO LINE LEADS TO REVERSE ROTATION.
3. OPTIONAL THERMOSTATS ARE PROVIDED WHEN SPECIFIED.
4. ACTUAL NUMBER OF INTERNAL PARALLEL CIRCUITS MAY VARY.
5. LEAD COLORS ARE OPTIONAL. LEADS MUST BE NUMBERED AS SHOWN.

CD0006

REV. DESC: ADD CLASS CONN00000007		
REV. LTR: E	VERSION: 01	TDR: 000001099922
FILE: \AAA\00005\141	REVISED: 10:24:49 02/19/2019	BY: ENBRIRO
MTL: -	© □	

BALDOR - RELIANCE®

3PH, SV, 3 LEADS, WYE OR DELTA CONNECTED

SH 1 of 1