

BALDOR® • RELIANCE 

Product Information Packet

EM4110T-G

40HP,1775RPM,3PH,60HZ,324T,1254M,TEFC,F1

Part Detail							
Revision:	P	Status:	PRD/A	Change #:		Proprietary:	No
Type:	AC	Elec. Spec:	12WGY276	CD Diagram:	CD0180	Mfg Plant:	
Mech. Spec:	12F882	Layout:	12LYF882	Poles:	04	Created Date:	06-06-2013
Base:	RG	Eff. Date:	09-16-2019	Leads:	9#8		

Specs			
Catalog Number:	EM4110T-G	Heater Indicator:	No Heater
Enclosure:	TEFC	Insulation Class:	H
Frame:	324T	Inverter Code:	Inverter Ready
Frame Material:	Iron	KVA Code:	H
Output @ Frequency:	40.000 HP @ 60 HZ	Lifting Lugs:	Standard Lifting Lugs
Synchronous Speed @ Frequency:	1800 RPM @ 60 HZ	Locked Bearing Indicator:	Locked Bearing
Voltage @ Frequency:	460.0 V @ 60 HZ	Motor Lead Quantity/Wire Size:	9 @ 8 AWG
	230.0 V @ 60 HZ	Motor Lead Exit:	Ko Box
XP Class and Group:	None	Motor Lead Termination:	Flying Leads
XP Division:	Not Applicable	Motor Type:	1254M
Agency Approvals:	UR	Mounting Arrangement:	F1
	CSA EEV	Power Factor:	82
	CSA	Product Family:	General Purpose
Auxillary Box:	No Auxillary Box	Pulley End Bearing Type:	Ball
Auxillary Box Lead Termination:	None	Pulley Face Code:	Standard
Base Indicator:	Rigid	Pulley Shaft Indicator:	Standard
Bearing Grease Type:	Polyrex EM (-20F +300F)	Rodent Screen:	None
Blower:	None	Shaft Extension Location:	Pulley End

Current @ Voltage:	102.000 A @ 208.0 V	Shaft Ground Indicator:	Shaft Grounding
	48.000 A @ 460.0 V	Shaft Rotation:	Reversible
	96.000 A @ 230.0 V	Shaft Slinger Indicator:	Shaft Slinger
Design Code:	A	Speed Code:	Single Speed
Drip Cover:	No Drip Cover	Motor Standards:	NEMA
Duty Rating:	CONT	Starting Method:	Direct on line
Electrically Isolated Bearing:	Not Electrically Isolated	Thermal Device - Bearing:	None
Feedback Device:	NO FEEDBACK	Thermal Device - Winding:	None
Front Face Code:	Standard	Vibration Sensor Indicator:	No Vibration Sensor
Front Shaft Indicator:	None	Winding Thermal 1:	None
		Winding Thermal 2:	None

Nameplate NP3443LUA										
CAT.NO.	EM4110T-G				CUST. P/N				ENCL	TEFC
SPEC.	12F882Y276G1		CC	010A	FRAME	324T		SER.NO.		
HP	40		CLASS	H	HZ	60				
R.P.M.	1775		PH.	3	DES.	A				
VOLTS	230/460		CODE	H	ODE BRG	6311		DE BRG	6312	
AMPS	96/48		USABLE AT 208V	102						
RATING	40C AMB-CONT		NEMA NOM. EFF.	94.1		GREASE	POLYREX EM			
P.F.	82		SER.F.	1.15		CT6-60H(10:1)VT3-60H(20:1)				
USABLE AT	50HZ 40HP 190/380V 114/57A				SF1.0					
VOLTS		AMPS		MAX. SPACE HEATER TEMP.						

AC Induction Motor Performance Data

Record # 48204 - Typical performance - not guaranteed values

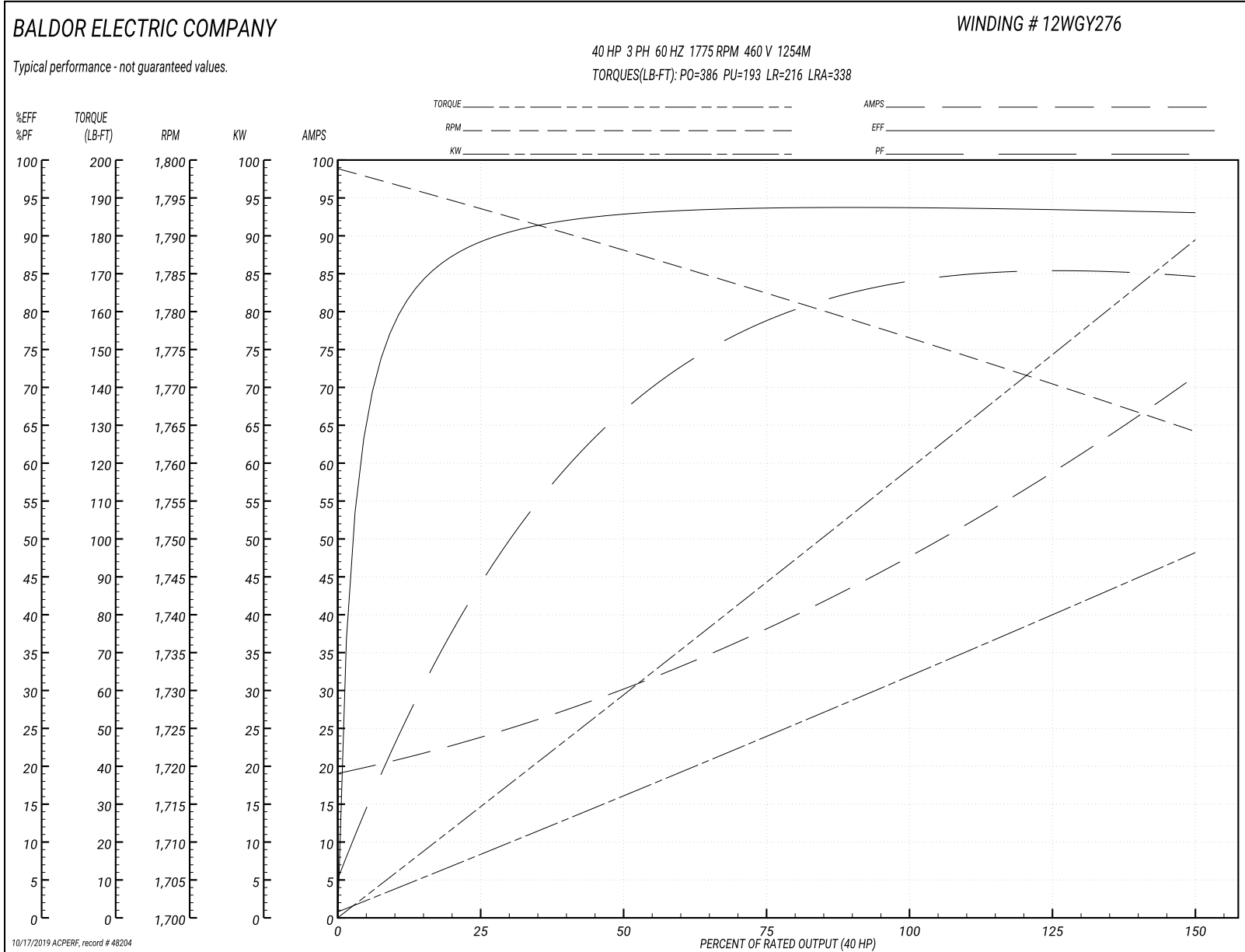
Winding: 12WGY276-R010	Type: 1254M	Enclosure: TEFC
-------------------------------	--------------------	------------------------

Nameplate Data				460 V, 60 Hz: High Voltage Connection	
Rated Output (HP)	40			Full Load Torque	118 LB-FT
Volts	230/460			Start Configuration	direct on line
Full Load Amps	96/48			Breakdown Torque	386 LB-FT
R.P.M.	1775			Pull-up Torque	193 LB-FT
Hz	60	Phase	3	Locked-rotor Torque	216 LB-FT
NEMA Design Code	A	KVA Code	H	Starting Current	338 A
Service Factor (S.F.)	1.15			No-load Current	19.9 A
NEMA Nom. Eff.	94.1	Power Factor	82	Line-line Res. @ 25°C	0.14898 Ω
Rating - Duty	40C AMB-CONT			Temp. Rise @ Rated Load	54°C
S.F. Amps				Temp. Rise @ S.F. Load	64°C
				Locked-rotor Power Factor	27
				Rotor inertia	7.19 LB-FT ²

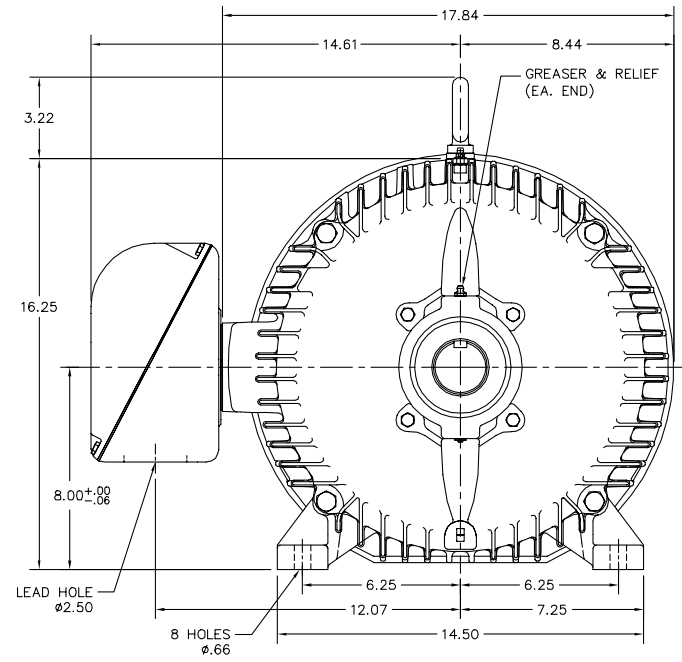
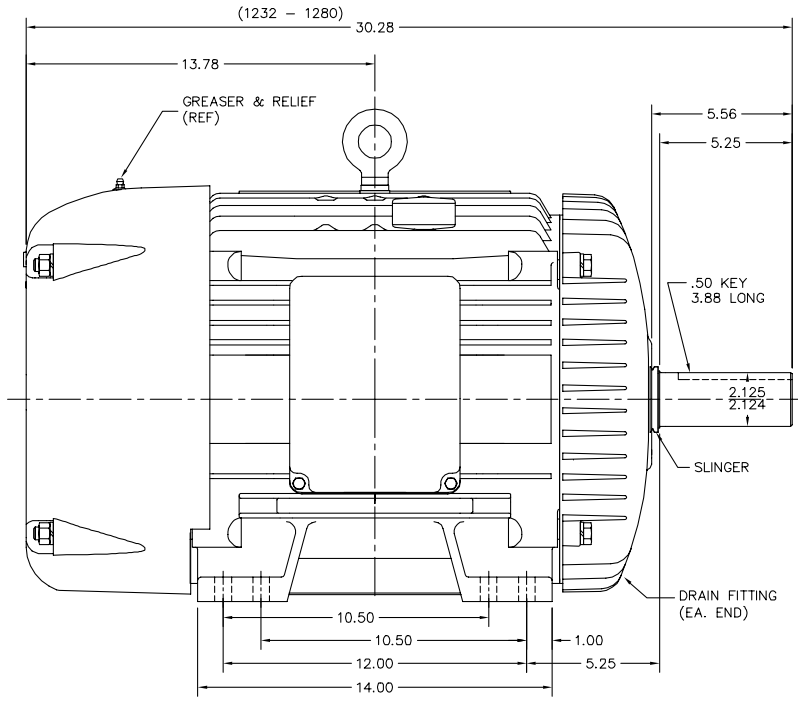
Load Characteristics 460 V, 60 Hz, 40 HP

% of Rated Load	25	50	75	100	125	150	S.F.
Power Factor	47	69	78	83	85	85	84
Efficiency	90.1	93.5	94.2	94.2	93.8	93.1	94
Speed	1793.5	1788	1782.5	1776.6	1770.7	1764.1	1773
Line amperes	22.9	29.5	38.4	48.1	59.2	70.8	54.8

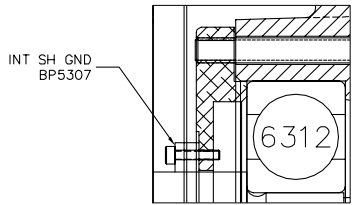
Performance Graph at 460V, 60Hz, 40.0HP Typical performance - Not guaranteed values



12LYF882



PU. BRG RETAINER DETAIL



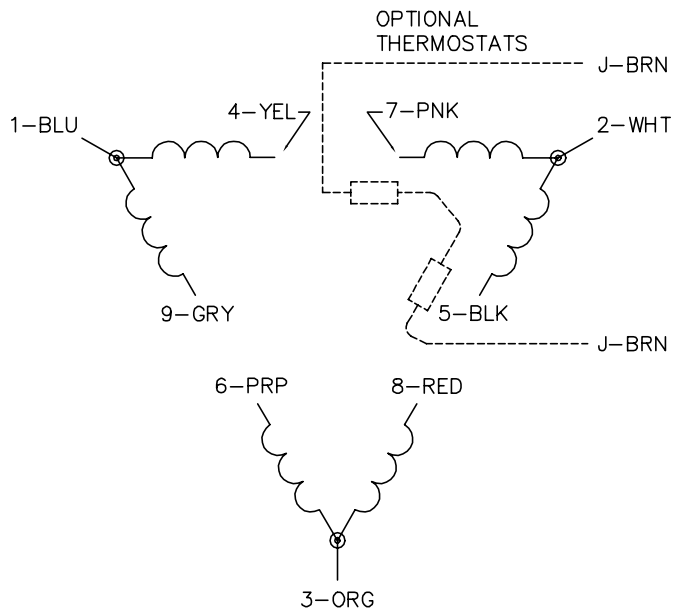
CUSTOMER IS RESPONSIBLE FOR DETERMINING THAT BALDOR'S PRODUCT WILL PERFORM SUITABLY IN THE INTENDED APPLICATION.

REV. DESC: REMOVE LOCKNUT	VERSION: 02	TDR: 000000953592
REV. LTR: B	REVISED: 01:22:54 11/16/2015	BY: ENMARSO
FILE: \AAA\00174\271		
MTL: -		

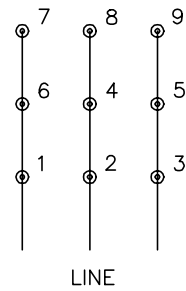
BALDOR
 HORZ TEFC 324-6T W/INT SH GND
 SH 1 of 1

12LYF882

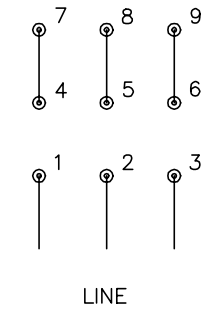
CD0180



LOW VOLTAGE
(2D)



HIGH VOLTAGE
(1D)



NOTES:

1. INTERCHANGE ANY TWO LINE LEADS TO REVERSE ROTATION.
2. OPTIONAL THERMOSTATS ARE PROVIDED WHEN SPECIFIED.
3. ACTUAL NUMBER OF INTERNAL PARALLEL CIRCUITS MAY BE A MULTIPLE OF THOSE SHOWN ABOVE.
4. LEAD COLORS ARE OPTIONAL. LEADS MUST ALWAYS BE NUMBERED AS SHOWN.

CD0180

REV. DESC: ADD CLASS CONN00000007		
REV. LTR: D	VERSION: 01	TDR: 000001099922
FILE: \AAA\00005\148	REVISED: 10:25:29 02/19/2019	BY: ENBRIRO
MTL: -	© □	

BALDOR - RELIANCE®

3PH, DV, 9 LEADS, DELTA CONNECTION

SH 1 of 1