

**BALDOR® • RELIANCE** 

**Product Information Packet**

**GDM2531T**

**25HP, 1760RPM, 3PH, 60HZ, 284TZ, 3942M, OPSB**

Part Detail							
Revision:	W	Status:	INA/A	Change #:		Proprietary:	No
Type:	AC	Elec. Spec:	39WGW918	CD Diagram:	CD0005	Mfg Plant:	
Mech. Spec:	39N080	Layout:	39LYN080	Poles:	04	Created Date:	
Base:	RG	Eff. Date:	03-08-2016	Leads:	9#10		

Specs			
Catalog Number:	GDM2531T	Insulation Class:	B
Enclosure:	OPSB	Inverter Code:	Not Inverter
Frame:	284TZ	KVA Code:	G
Frame Material:	Steel	Lifting Lugs:	Standard Lifting Lugs
Output @ Frequency:	25.000 HP @ 60 HZ	Locked Bearing Indicator:	No Locked Bearing
Synchronous Speed @ Frequency:	1800 RPM @ 60 HZ	Motor Lead Quantity/Wire Size:	9 @ 10 AWG
Voltage @ Frequency:	460.0 V @ 60 HZ	Motor Lead Exit:	Ko Box
	230.0 V @ 60 HZ	Motor Lead Termination:	Flying Leads
XP Class and Group:	None	Motor Type:	3942M
XP Division:	Not Applicable	Mounting Arrangement:	F1
Agency Approvals:	CSA	Power Factor:	83
	UR	Product Family:	General Purpose
Auxillary Box:	No Auxillary Box	Product Type:	FARM DUTY
Auxillary Box Lead Termination:	None	Pulley End Bearing Type:	Sealed Bearing
Base Indicator:	Rigid	Pulley Face Code:	Standard
Bearing Grease Type:	Polyrex EM (-20F +300F)	Pulley Shaft Indicator:	Standard
Blower:	None	Rodent Screen:	Included
Current @ Voltage:	31.000 A @ 460.0 V	Shaft Extension Location:	Pulley End

	62.000 A @ 230.0 V	<b>Shaft Ground Indicator:</b>	No Shaft Grounding
	66.000 A @ 208.0 V	<b>Shaft Rotation:</b>	Reversible
<b>Design Code:</b>	B	<b>Shaft Slinger Indicator:</b>	No Slinger
<b>Drip Cover:</b>	No Drip Cover	<b>Speed Code:</b>	Single Speed
<b>Duty Rating:</b>	CONT	<b>Motor Standards:</b>	NEMA
<b>Electrically Isolated Bearing:</b>	Not Electrically Isolated	<b>Starting Method:</b>	Direct on line
<b>Feedback Device:</b>	NO FEEDBACK	<b>Thermal Device - Bearing:</b>	None
<b>Front Face Code:</b>	Standard	<b>Thermal Device - Winding:</b>	Normally Closed Thermostat
<b>Front Shaft Indicator:</b>	None	<b>Vibration Sensor Indicator:</b>	No Vibration Sensor
<b>Heater Indicator:</b>	No Heater	<b>Winding Thermal 1:</b>	None
		<b>Winding Thermal 2:</b>	None

Nameplate NP1256L										
CAT.NO.	GDM2531T									
SPEC.	39N080W918H1									
HP	25									
VOLTS	230/460									
AMP	62/31									
RPM	1760									
FRAME	284TZ				HZ	60			PH	3
SER.F.	1.15		CODE	G	DES	B		CLASS	B	
NEMA-NOM-EFF	91.7		PF	83						
RATING	40C AMB-CONT									
CC								USABLE AT 208V	66	
DE	6311			ODE	6208					
ENCL	OPSB		SN							

**AC Induction Motor Performance Data**

Record # 12995

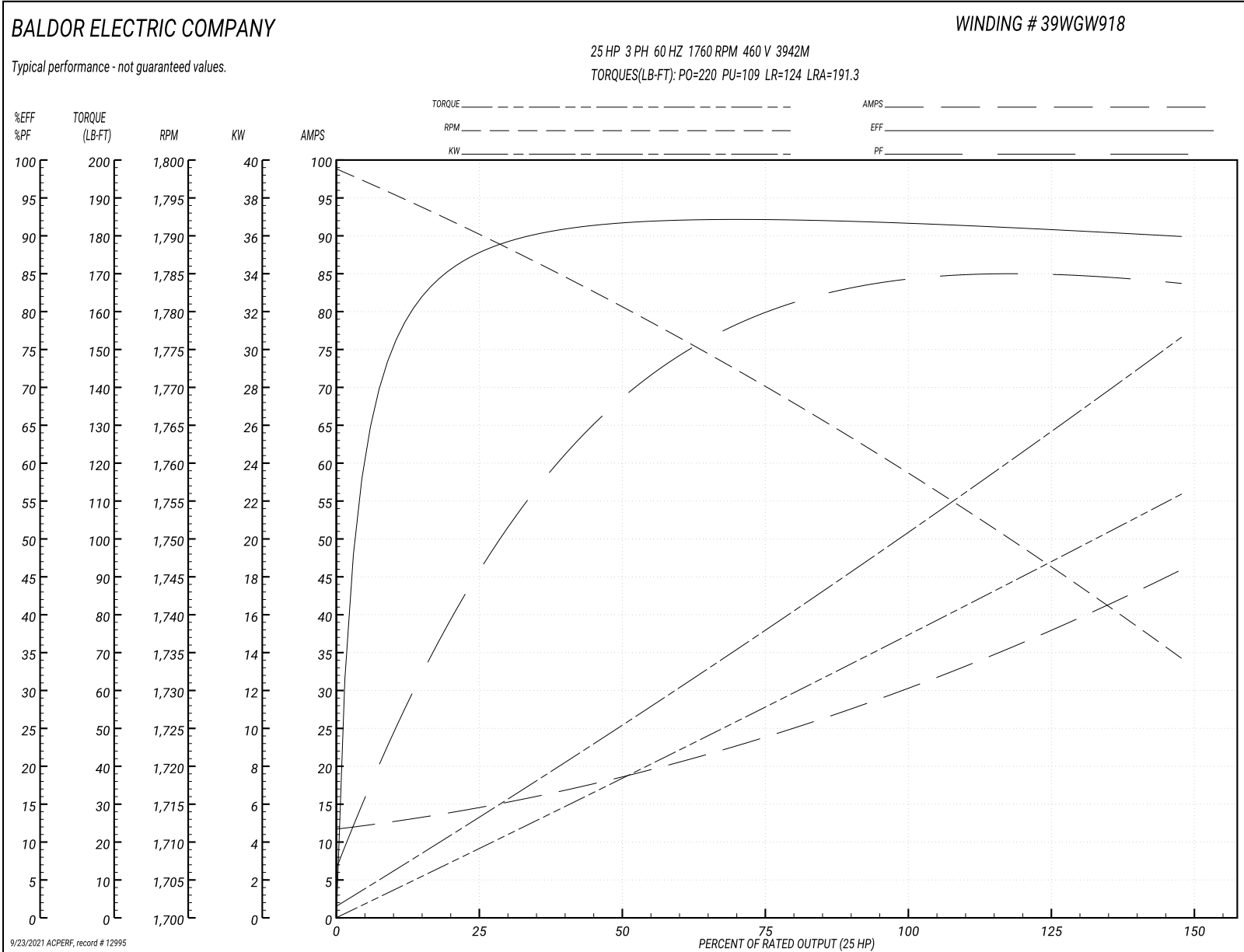
Typical performance - not guaranteed values

<b>Winding: 39WGW918-R001</b>		<b>Type: 3942M</b>		<b>Enclosure: OPSB</b>	
<b>Nameplate Data</b>			<b>460 V, 60 Hz: High Voltage Connection</b>		
<b>Rated Output (HP)</b>	25	<b>Full Load Torque</b>	74.6 LB-FT		
<b>Volts</b>	230/460	<b>Start Configuration</b>	direct on line		
<b>Full Load Amps</b>	62/31	<b>Breakdown Torque</b>	220 LB-FT		
<b>R.P.M.</b>	1760	<b>Pull-up Torque</b>	109 LB-FT		
<b>Hz</b>	60 Phase	<b>Locked-rotor Torque</b>	124 LB-FT		
<b>NEMA Design Code</b>	B	<b>Starting Current</b>	191.3 A		
<b>Service Factor (S.F.)</b>	1.15	<b>No-load Current</b>	12.11 A		
<b>NEMA Nom. Eff.</b>	91.7	<b>Line-line Res. @ 25°C</b>	0.398 Ω		
<b>Rating - Duty</b>	40C AMB-CONT	<b>Temp. Rise @ Rated Load</b>	42°C		
<b>S.F. Amps</b>		<b>Temp. Rise @ S.F. Load</b>	56°C		
		<b>Locked-rotor Power Factor</b>	35		
		<b>Rotor inertia</b>	1.84 LB-FT <sup>2</sup>		

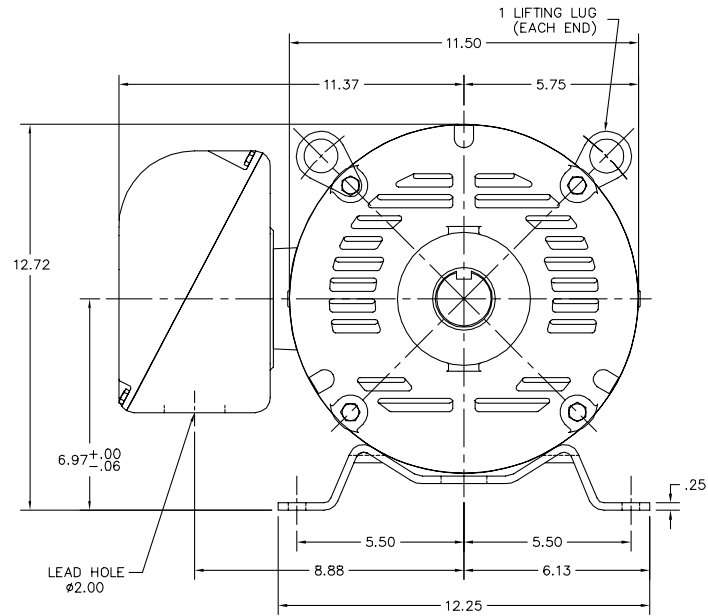
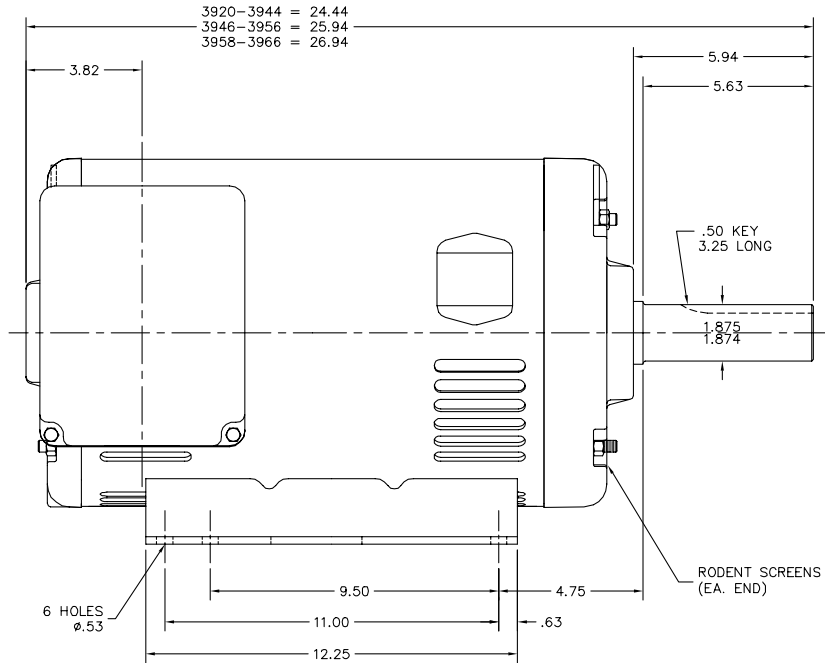
**Load Characteristics 460 V, 60 Hz, 25 HP**

<b>% of Rated Load</b>	<b>25</b>	<b>50</b>	<b>75</b>	<b>100</b>	<b>125</b>	<b>150</b>	<b>S.F.</b>
<b>Power Factor</b>	48	69	79	83	85	86	84
<b>Efficiency</b>	87.4	91.5	92.1	91.8	91	89.8	91.3
<b>Speed</b>	1790	1780	1770	1759	1747	1734	1752
<b>Line amperes</b>	14.07	18.47	24.1	30.6	37.8	45.7	34.9

Performance Graph at 460V, 60Hz, 25.0HP Typical performance - Not guaranteed values



39L.YN080



CUSTOMER IS RESPONSIBLE FOR DETERMINING THAT BALDOR'S PRODUCT WILL PERFORM SUITABLY IN THE INTENDED APPLICATION.

REV. DESC: ADDED MISSING DIMENSION		
REV. LTR: C	VERSION: 02	TDR: 000000858528
FILE: \AAA\00066\559	REVISED: 02:47:36 06/17/2014	BY: ENNINDO
MTL: -		

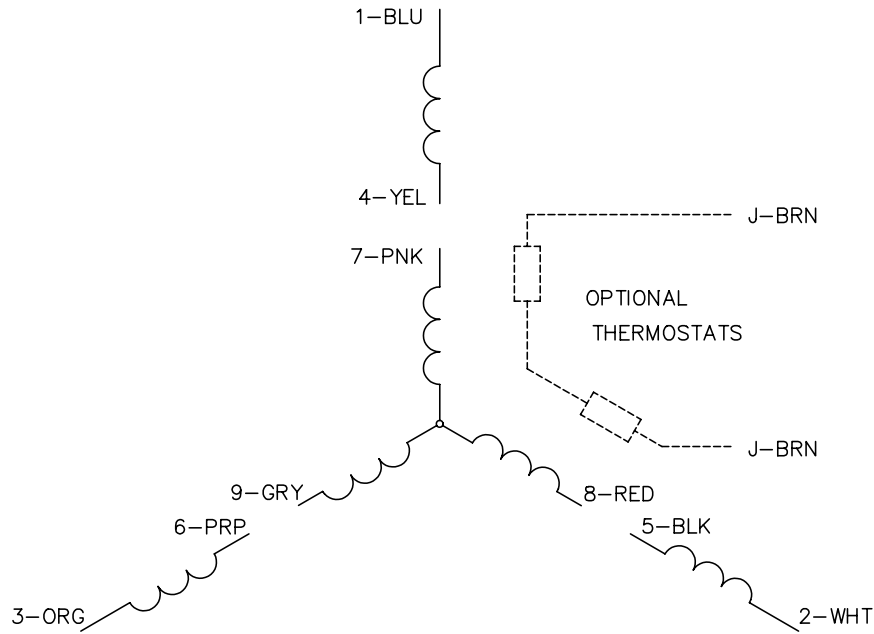
**BALDOR**

HORZ OPSB - 284-6TZ W/SCREENS, LESS GREASERS

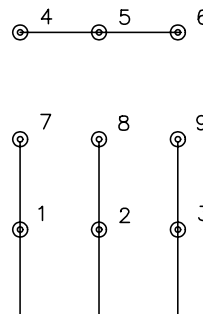
SH 1 of 1

39L.YN080

CD0005

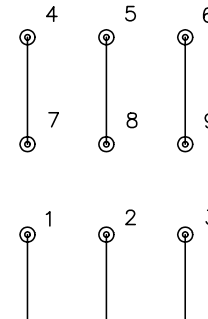


LOW VOLTAGE  
(2Y)



LINE

HIGH VOLTAGE  
(1Y)



LINE

NOTES:

1. INTERCHANGE ANY TWO LINE LEADS TO REVERSE ROTATION.
2. OPTIONAL THERMOSTATS ARE PROVIDED WHEN SPECIFIED.
3. ACTUAL NUMBER OF INTERNAL PARALLEL CIRCUITS MAY BE A MULTIPLE OF THOSE SHOWN ABOVE.
4. LEAD COLORS ARE OPTIONAL. LEADS MUST ALWAYS BE NUMBERED AS SHOWN.

REV. DESC: REVISE TO SHOW OPTIONAL COLORS			
REV. LTR: E	BY: JLP	REVISED: 01/19/99 10:15	TDR: 0171435
90000		FILE: AAA00005140	MDL: -
		MTL: -	

**BALDOR ELECTRIC Co.**

3PH, DV, 9 LEADS

CD0005