

BALDOR® • RELIANCE 

Product Information Packet

JM3550

1.5HP,3450RPM,3PH,60HZ,56J,3424M,TEFC,F1

Part Detail							
Revision:	M	Status:	PRD/A	Change #:		Proprietary:	No
Type:	AC	Elec. Spec:	34WG0283	CD Diagram:	CD0005	Mfg Plant:	
Mech. Spec:	34K036	Layout:	34LYK036	Poles:	02	Created Date:	09-21-2007
Base:	N	Eff. Date:	02-08-2024	Leads:	9#18		

Specs			
Catalog Number:	JM3550	Insulation Class:	F
Enclosure:	TEFC	Inverter Code:	Not Inverter
Frame:	56J	KVA Code:	L
Frame Material:	Steel	Lifting Lugs:	No Lifting Lugs
Motor Letter Type:	Three Phase	Locked Bearing Indicator:	Locked Bearing
Output @ Frequency:	1.500 HP @ 60 HZ	Motor Lead Quantity/Wire Size:	9 @ 18 AWG
Synchronous Speed @ Frequency:	3600 RPM @ 60 HZ	Motor Lead Exit:	Ko Box
Voltage @ Frequency:	460.0 V @ 60 HZ	Motor Lead Termination:	Flying Leads
	230.0 V @ 60 HZ	Motor Type:	3424M
XP Division:	Not Applicable	Mounting Arrangement:	F1
Agency Approvals:	CSA	Power Factor:	74
	UR	Product Family:	General Purpose
Auxillary Box:	No Auxillary Box	Pulley End Bearing Type:	Ball
Auxillary Box Lead Termination:	None	Pulley Face Code:	C-Face
Base Indicator:	N	Pulley Shaft Indicator:	Ext Thread
Bearing Grease Type:	Polyrex EM (-20F +300F)	Rodent Screen:	None
Blower:	None	RoHS Status:	ROHS COMPLIANT
Current @ Voltage:	2.300 A @ 460.0 V	Shaft Extension Location:	Pulley End

	4.600 A @ 230.0 V	Shaft Ground Indicator:	No Shaft Grounding
	4.900 A @ 208.0 V	Shaft Rotation:	Reversible
Design Code:	B	Shaft Slinger Indicator:	No Slinger
Drip Cover:	No Drip Cover	Speed Code:	Single Speed
Duty Rating:	CONT	Motor Standards:	NEMA
Electrically Isolated Bearing:	Not Electrically Isolated	Starting Method:	Direct on line
Feedback Device:	NO FEEDBACK	Thermal Device - Bearing:	None
Front Face Code:	Standard	Thermal Device - Winding:	None
Front Shaft Indicator:	None	Vibration Sensor Indicator:	No Vibration Sensor
Heater Indicator:	No Heater	Winding Thermal 1:	None
		Winding Thermal 2:	None

Nameplate NP1256L										
CAT.NO.	JM3550X									
SPEC.	34K036-0283G1									
HP	1.5									
VOLTS	230/460									
AMP	4.6/2.3									
RPM	3450 SFA 5.4/2.7									
FRAME	56J				HZ	60			PH	3
SER.F.	1.30		CODE	L	DES	B		CLASS	F	
NEMA-NOM-EFF	80		PF	74						
RATING	40C AMB-CONT									
CC										
DE	6203				ODE	6203				
ENCL	TEFC		SN							
	NOT FOR USE IN USA									

AC Induction Motor Performance Data

Record # 36341

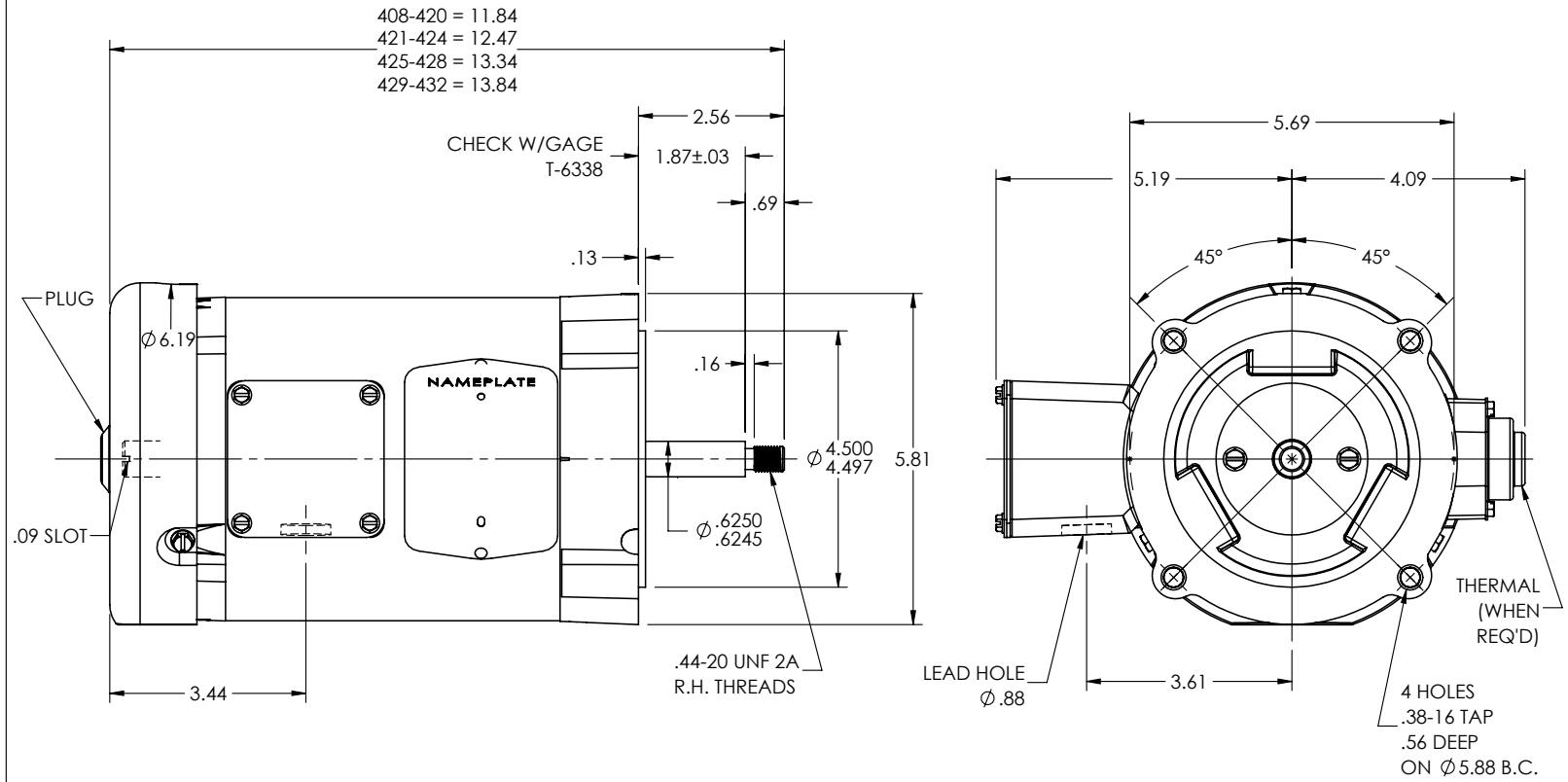
Typical performance - not guaranteed values

Winding: 34WG0283-R019		Type: 3424M	Enclosure: TEFC
Nameplate Data		460 V, 60 Hz: High Voltage Connection	
Rated Output (HP)	1.5	Full Load Torque	2.25 LB-FT
Volts	230/460	Start Configuration	direct on line
Full Load Amps	4.6/2.3	Breakdown Torque	10.6 LB-FT
R.P.M.	3450	Pull-up Torque	10 LB-FT
Hz	60 Phase	Locked-rotor Torque	11.7 LB-FT
NEMA Design Code	B KVA Code	Starting Current	18.4 A
Service Factor (S.F.)	1.3	No-load Current	1.4 A
NEMA Nom. Eff.	80 Power Factor	Line-line Res. @ 25°C	8.53 Ω
Rating - Duty	40C AMB-CONT	Temp. Rise @ Rated Load	71°C
S.F. Amps	5.4/2.7	Temp. Rise @ S.F. Load	83°C
		Locked-rotor Power Factor	67
		Rotor inertia	0.0223 LB-FT ²

Load Characteristics 460 V, 60 Hz, 1.5 HP

% of Rated Load	25	50	75	100	125	150	S.F.
Power Factor	39	57	68	76	81	84	79
Efficiency	70.7	79.6	81.8	82.3	81.7	80.6	81.9
Speed	3564	3533	3501	3466	3429	3394	3444
Line amperes	1.5	1.7	2	2.3	2.7	3	2.54

34LYK036



CUSTOMER IS RESPONSIBLE FOR DETERMINING THAT THE PRODUCT WILL PERFORM SUITABLY IN THE INTENDED APPLICATION

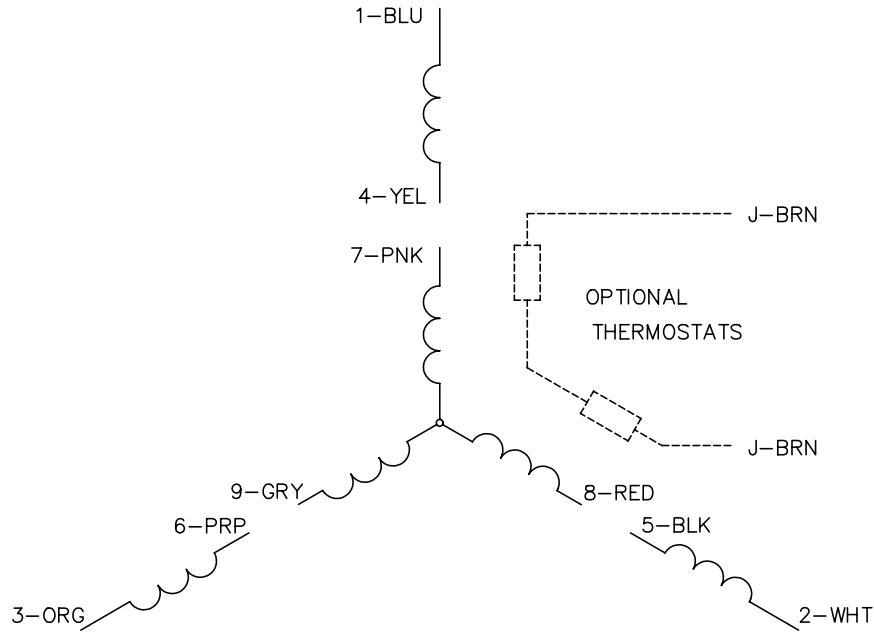
REV. DESC: LOAD TO SOLIDWORKS - REV G			
REV: H	VERSION: 03	REVISED: 04:25:22 12/19/2022	TDR: 000001201165
9E0X17E 34LYK036		MODEL NO. 34LYK036	REF: -
		BY: ENFRAJ0	

BALDOR - RELIANCE®

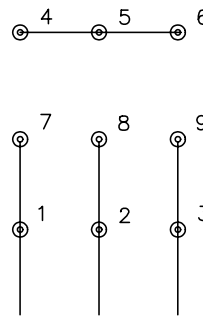
STD VERT MODEL 34M NEMA 56J TEFC

34LYK036

CD0005

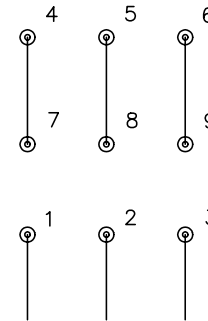


LOW VOLTAGE
(2Y)



LINE

HIGH VOLTAGE
(1Y)



LINE

NOTES:

1. INTERCHANGE ANY TWO LINE LEADS TO REVERSE ROTATION.
2. OPTIONAL THERMOSTATS ARE PROVIDED WHEN SPECIFIED.
3. ACTUAL NUMBER OF INTERNAL PARALLEL CIRCUITS MAY BE A MULTIPLE OF THOSE SHOWN ABOVE.
4. LEAD COLORS ARE OPTIONAL. LEADS MUST ALWAYS BE NUMBERED AS SHOWN.

REV. DESC: REVISE TO SHOW OPTIONAL COLORS

REV. LTR: E BY: JLP

REVISED: 01/19/99 10:15

TDR: 0171435

900003

FILE: AAA00005140

MDL: -

MTL: -

BALDOR ELECTRIC Co.

3PH, DV, 9 LEADS

CD0005